

INDEX WEBLEY

Mark VI WEB-1 thru WEB-3

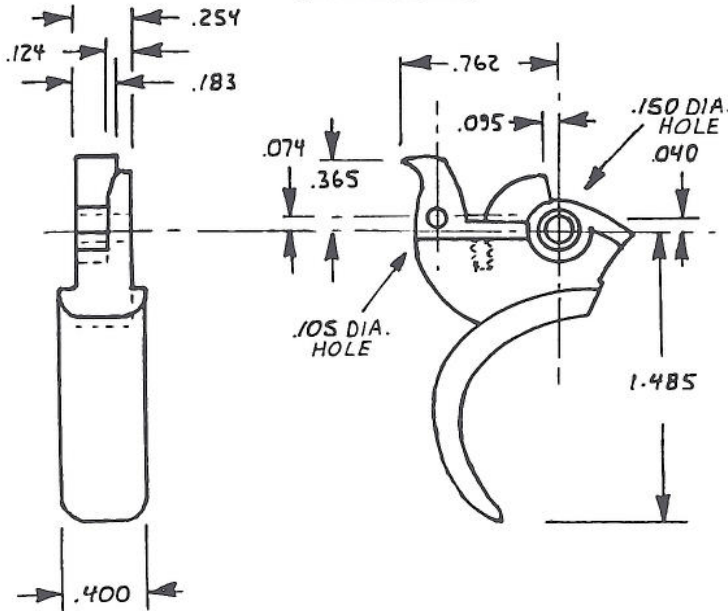
Notice: These Drawings were made from actual parts. Critical dimensions may vary. Parts made from these drawings will require fitting to each gun. Drawings may not be to scale.

MODEL: MARK VI
.455 DA Revolver

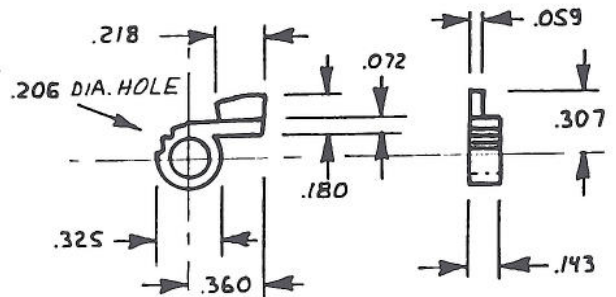
WEBLEY

PAGE: WEB-1

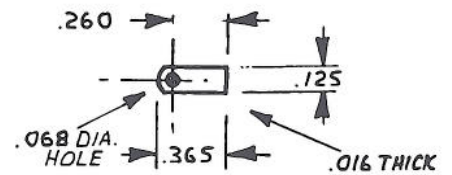
TRIGGER*



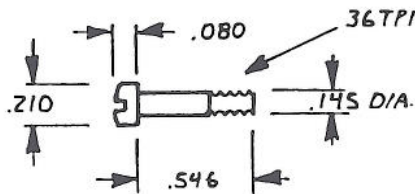
CYL. STOP*



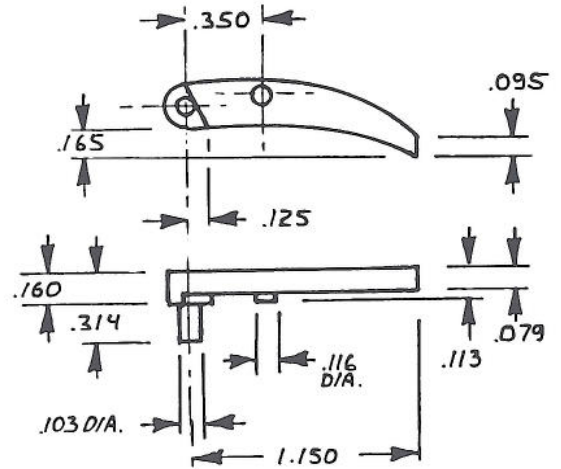
CYL. STOP SPRING



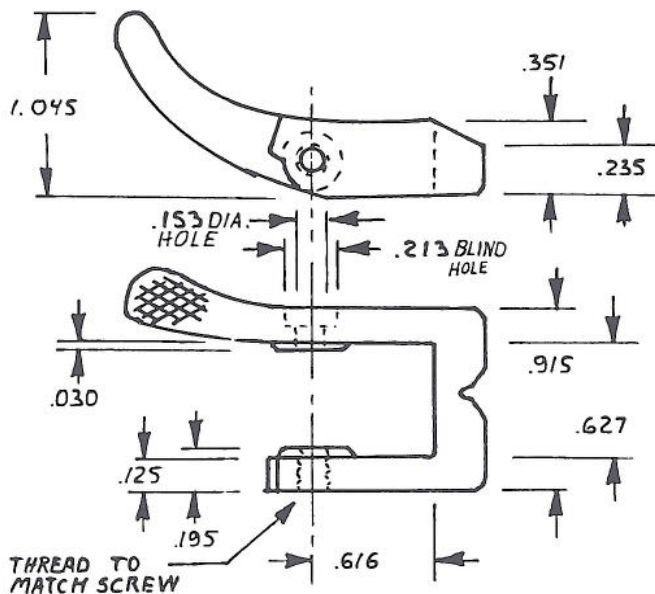
TRIGGER SCREW*



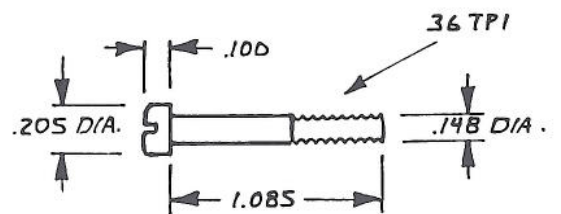
HAND*



BBL. CATCH*

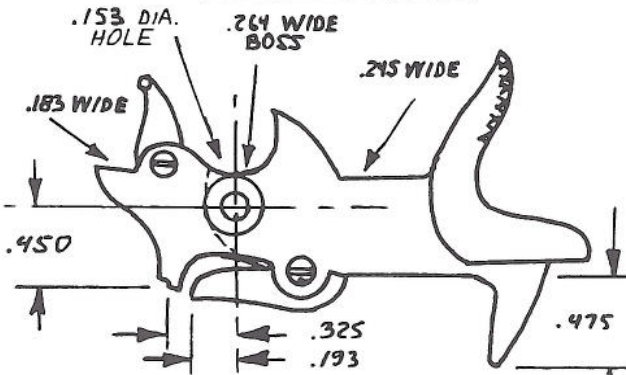


GRIP SCREW*

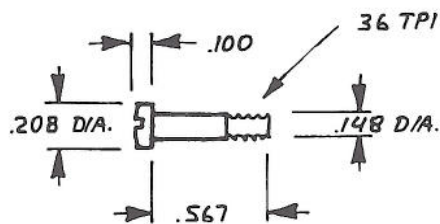


Notice: These Drawings were made from actual parts. Critical dimensions may vary. Parts made from these drawings will require fitting to each gun. Drawings may not be to scale.

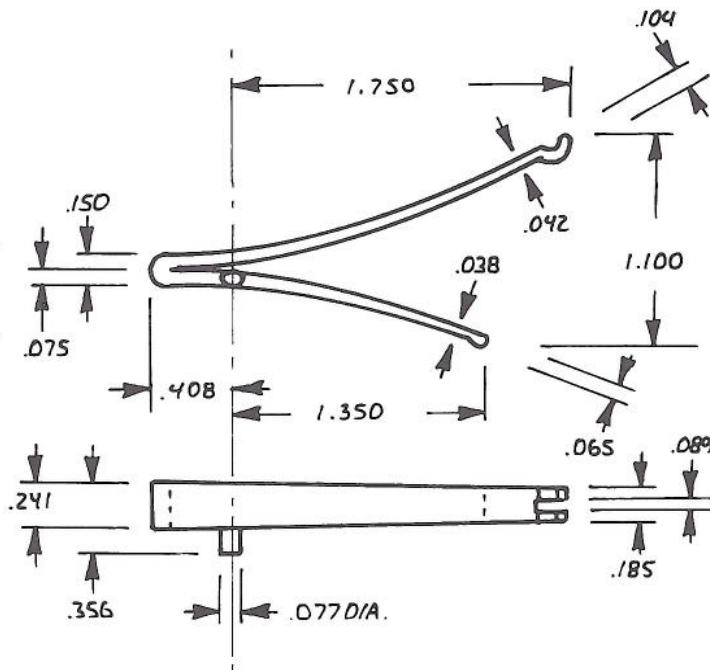
HAMMER ASSY^x



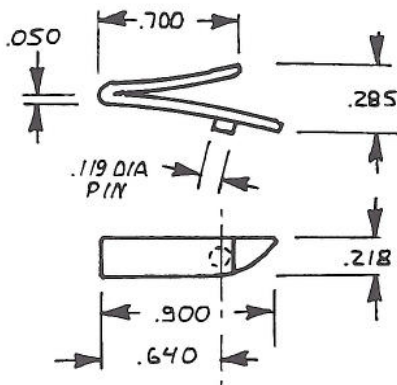
HAMMER SCREW^x



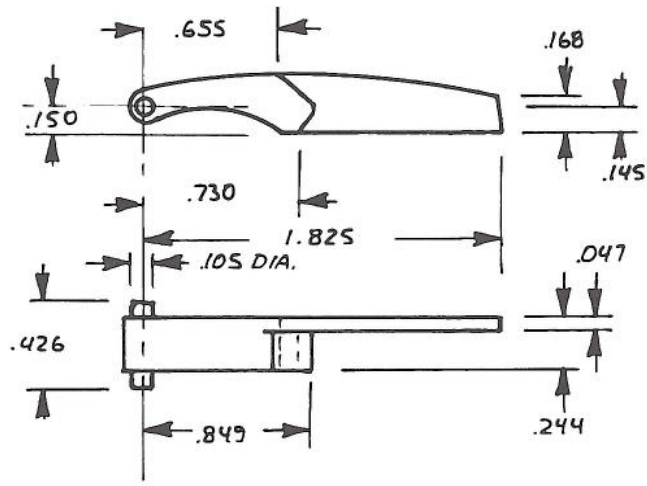
MAINSRING^x



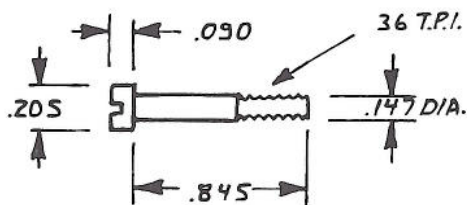
BBL. CATCH SPRING^x



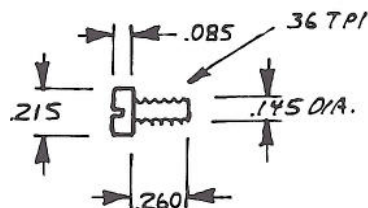
M.S. LEVER^x



BBL. CATCH SCREW^x



T.G. SCREWS^x



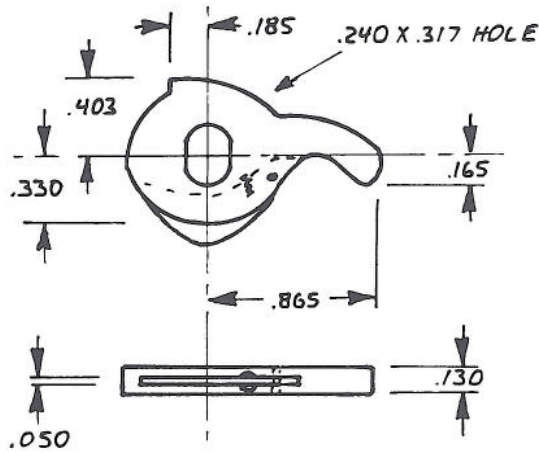
Notice: These Drawings were made from actual parts. Critical dimensions may vary. Parts made from these drawings will require fitting to each gun. Drawings may not be to scale.

MODEL: MARK VI
.455 DA Revolver

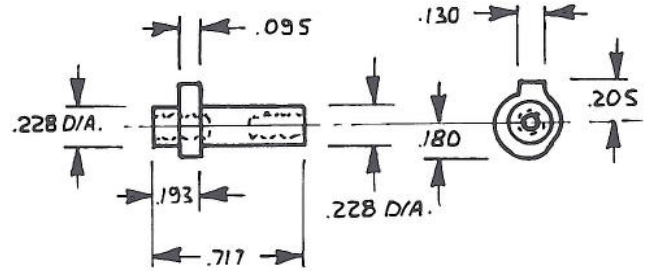
WEBLEY

PAGE: WEB-3

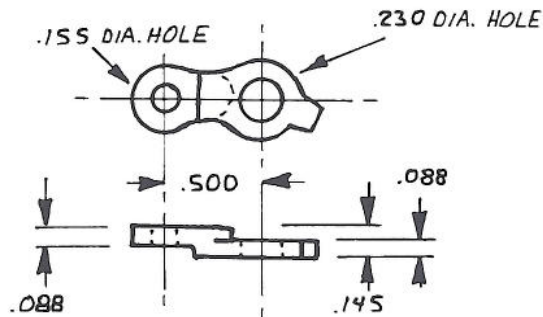
EXT. LEVER^x



HINGE PIN^x



CAM LEVER^x



PAGE:

MODEL:

Notice: These Drawings were made from actual parts. Critical dimensions may vary. Parts made from these drawings will require fitting to each gun. Drawings may not be to scale.

This page intentionally left blank.