



US00D403043S

United States Patent [19] Spekner

[11] Patent Number: **Des. 403,043**

[45] Date of Patent: ****Dec. 22, 1998**

- [54] RIFLE
- [75] Inventor: **Friedrich Spekner**, Graz, Austria
- [73] Assignee: **Steyr-Daimler-Puch Aktiengesellschaft**, Vienna, Austria
- [**] Term: **14 Years**
- [21] Appl. No.: **70,902**
- [22] Filed: **Mar. 14, 1997**
- [30] **Foreign Application Priority Data**
Sep. 17, 1996 [AT] Austria MU3505/96
- [51] **LOC (6) Cl.** **22-01**
- [52] **U.S. Cl.** **D22/103; D22/100**
- [58] **Field of Search** D22/100, 103, D22/199; D21/145, 146, 147; 42/14, 71.01, 73, 74, 100, 106; 89/139

3,852,904	12/1974	Drevet	42/71.01
4,742,635	5/1988	Ruger et al.	42/100
4,779,370	10/1988	Cormack	42/100

Primary Examiner—Louis S. Zarfaz
Assistant Examiner—Monica A. Weingart
Attorney, Agent, or Firm—Bachman & LaPointe, P.C.

[57] CLAIM

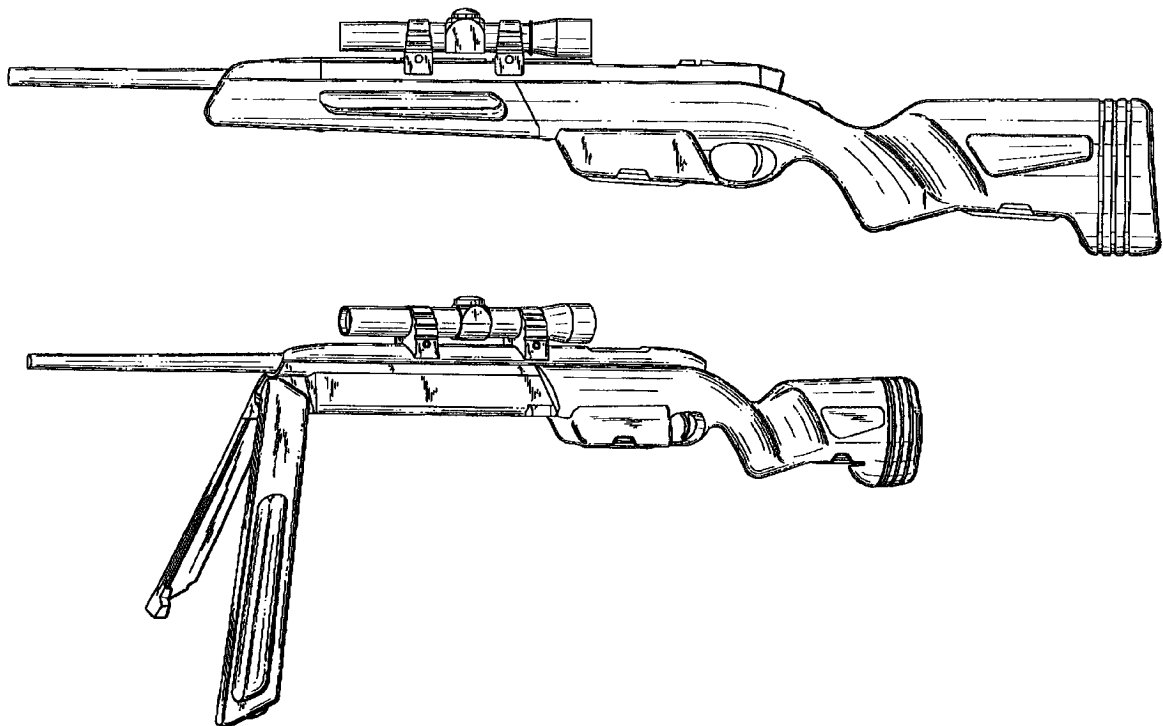
The ornamental design for a rifle, as shown and described.

DESCRIPTION

FIG. 1 is a left side elevation view of a rifle embodying the design of the present invention;
 FIG. 2 is a right side elevation view of the rifle of FIG. 1 showing the sole different design feature of the second embodiment of the rifle;
 FIG. 3 is a top elevation view of the rifle of FIG. 1;
 FIG. 4 is a bottom elevation view of the rifle of FIGS. 1 and 7;
 FIG. 5 is a front elevation view of the rifle of FIG. 1;
 FIG. 6 is a rear elevation view of the rifle of FIG. 1;
 FIG. 7 is a partial left side elevation view of a second embodiment of the rifle of FIG. 1; and,
 FIG. 8 is a perspective view showing the bipod of the rifle of FIG. 1 in an extended position from the left side wherein the view from the right side showing the bipod of the rifle is identical.

- [56] **References Cited**
U.S. PATENT DOCUMENTS
- D. 223,154 3/1972 Murakami D22/103
- 1,270,436 6/1918 Reach 42/106
- 1,340,453 5/1920 Lera 42/100
- 1,710,547 4/1929 Meise 42/100
- 2,187,548 1/1940 Smith 42/74
- 2,677,207 5/1954 Stewart 42/74

1 Claim, 2 Drawing Sheets



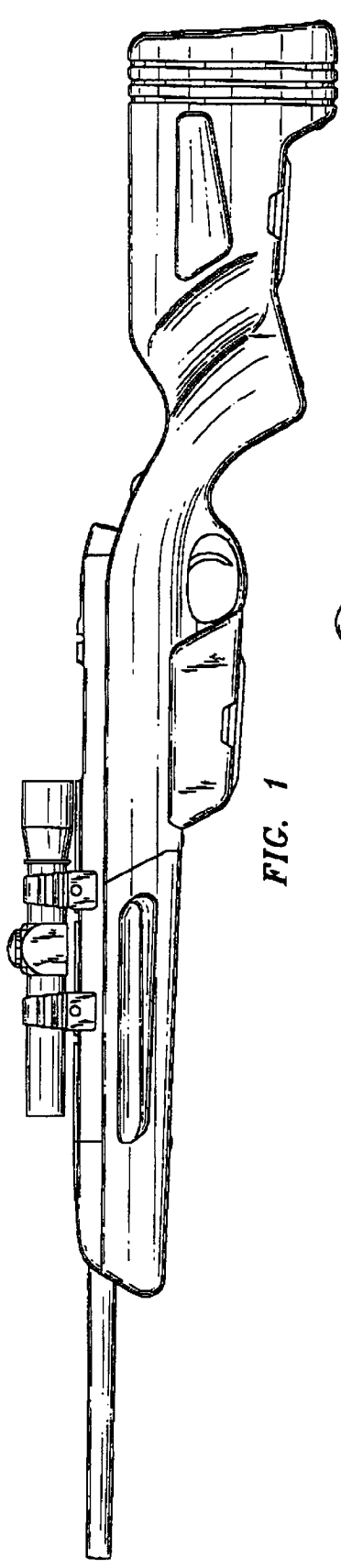


FIG. 1

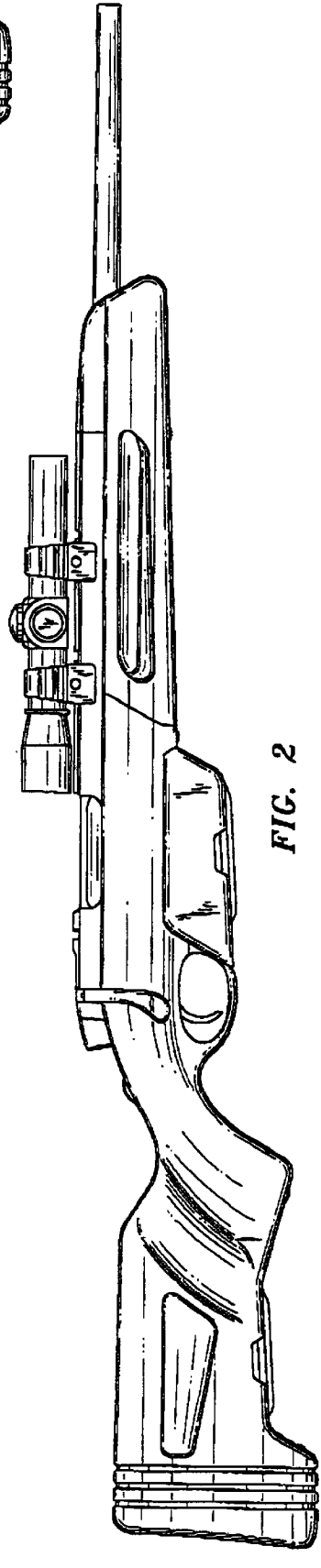


FIG. 2

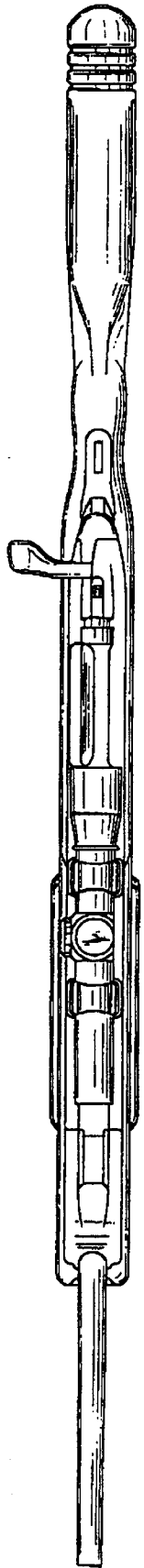


FIG. 3

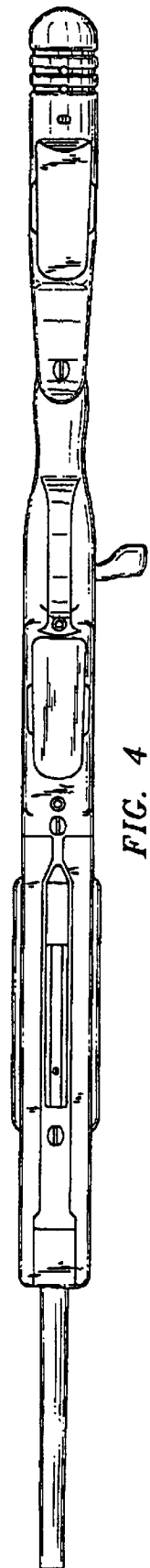


FIG. 4

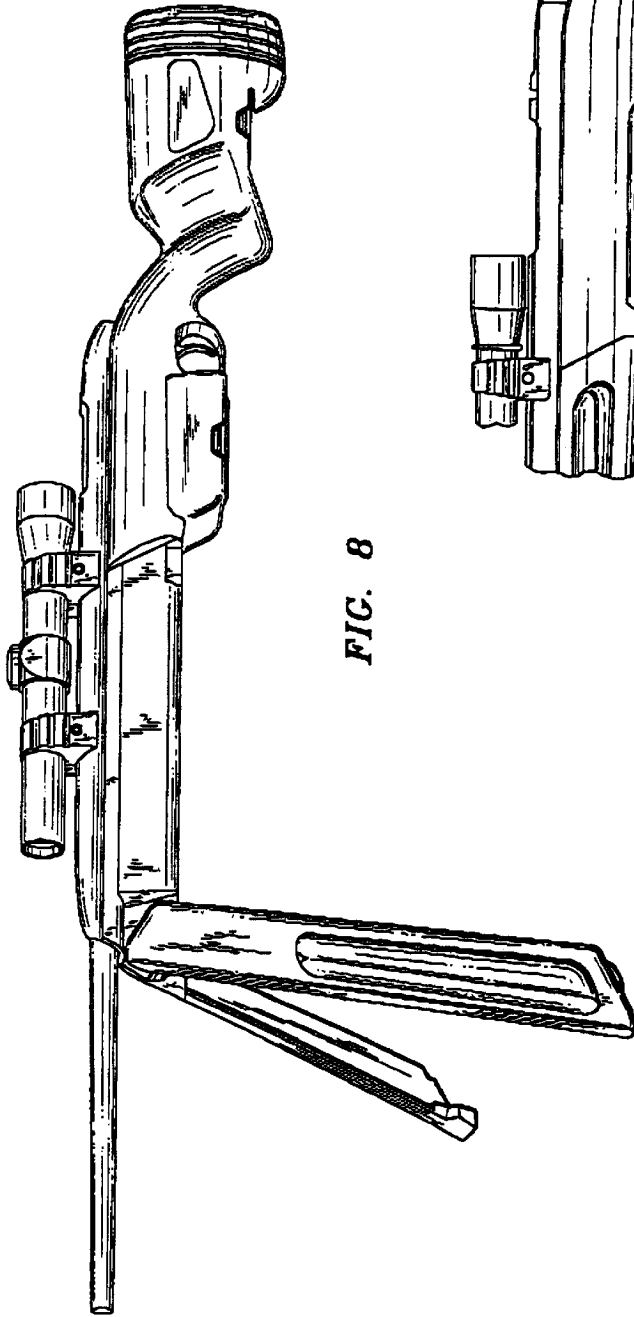


FIG. 8

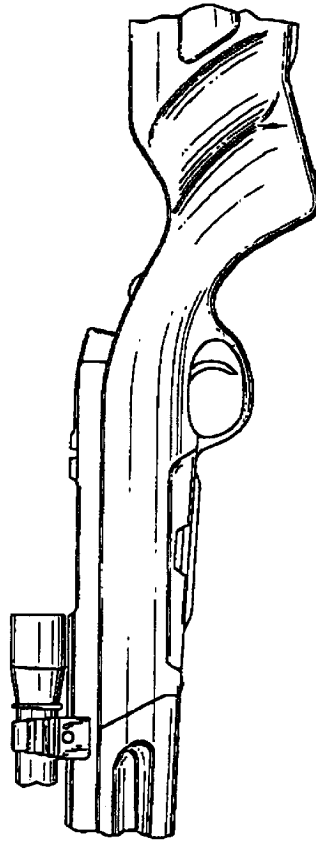


FIG. 7

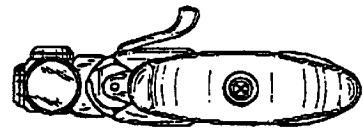


FIG. 6

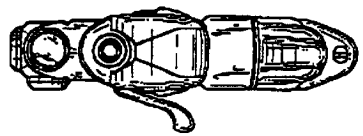


FIG. 5