



SUREFIRE®

by *LASER PRODUCTS*

Tactical Light and Laser Sight
Product Selection Guide



Tactical Lights and Laser Sights



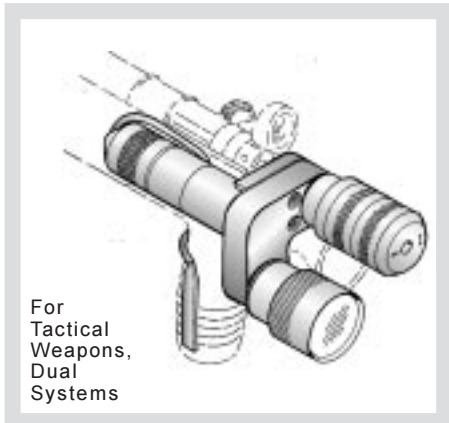
For Handguns



For Shotguns



For Tactical Weapons,
Single Systems



For
Tactical
Weapons,
Dual
Systems



For Tactical Weapons,
Triple Systems



For Tactical Weapons,
Dedicated Housing

Welcome

Dear Laser Products Customer,

This product selection guide is provided to acquaint you with the items that make up the SURE-FIRE System of Weapons-Mounted Tactical Lights and Laser Sights, and to help you in selecting what to order. In using this guide, if you need assistance, please feel free to call our Customer Service Department anytime during regular business hours at: 800-828-8809.

Before looking at the following presentation of hardware, please consider the introductory information in the front section; it reflects our years of experience in supplying the best light tools for the law enforcement field, and addresses the critical issues of why we strongly advise consideration of putting lights and laser sights on weapons.

We would appreciate hearing from you and solicit your comments on how our products may be improved.

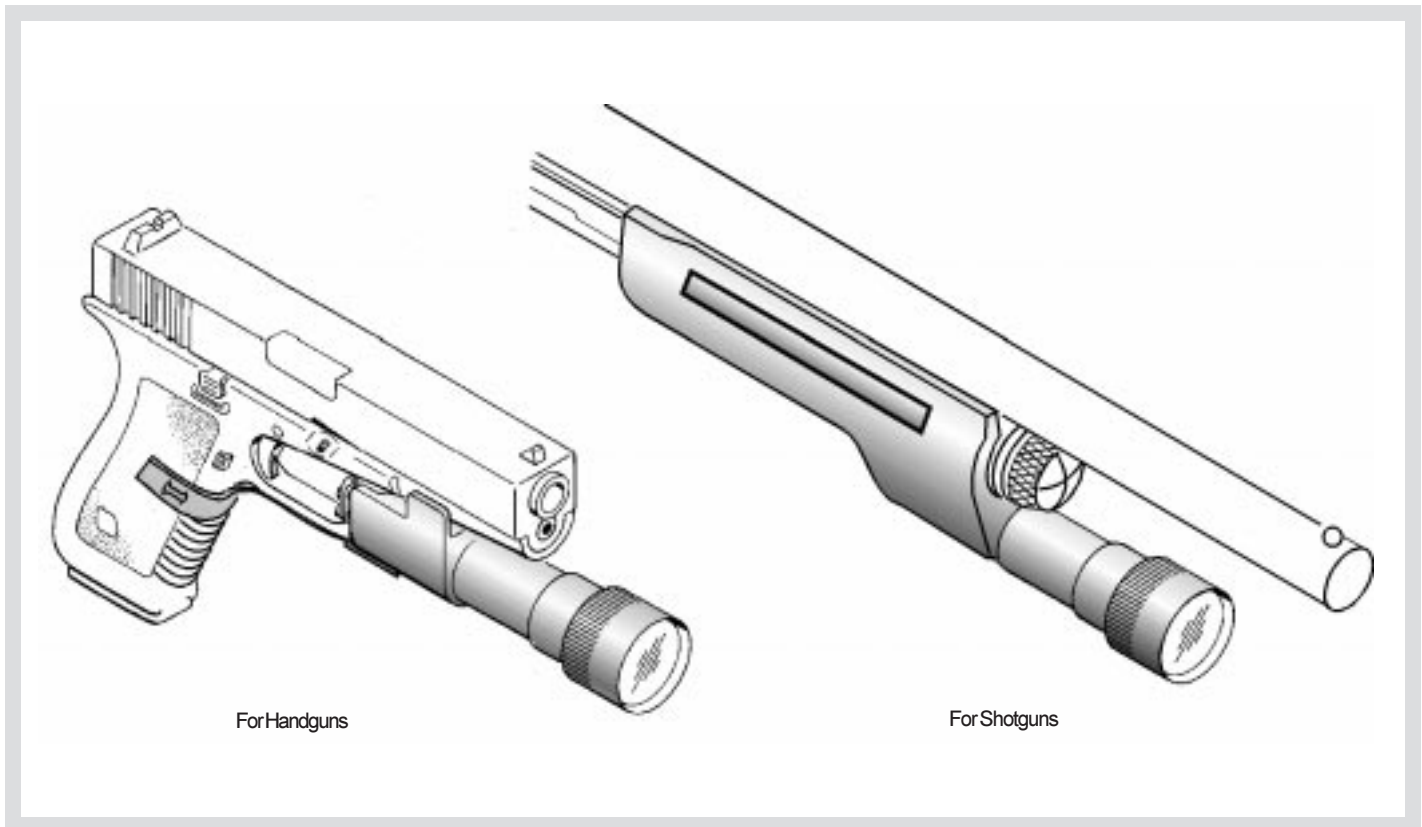
With best regards,

Handwritten signature of John W. Matthews

John W. Matthews
President, Laser Products

Tactical Light Overview.....4
Laser Sight Overview.....5
Single Systems for Handguns.....6
Single Systems for Shotguns.....7
Single Systems for SMG's, Carbines & Rifles.....8-9
Dual Systems.....10-11
Triple Systems.....11
Mounts.....12
System Modular Components.....13
Housings & Batteries.....14
Adapters.....15
Lamp and Laser Sight Modules.....16
Tip-off Covers & Beam Modifiers.....17
Special Systems & Switches.....18
Chargers & Conversion Kits.....19
Accessories.....20
System Listings by Weapon.....21-26

Tactical Light Overview



First, why put a light on your weapon?

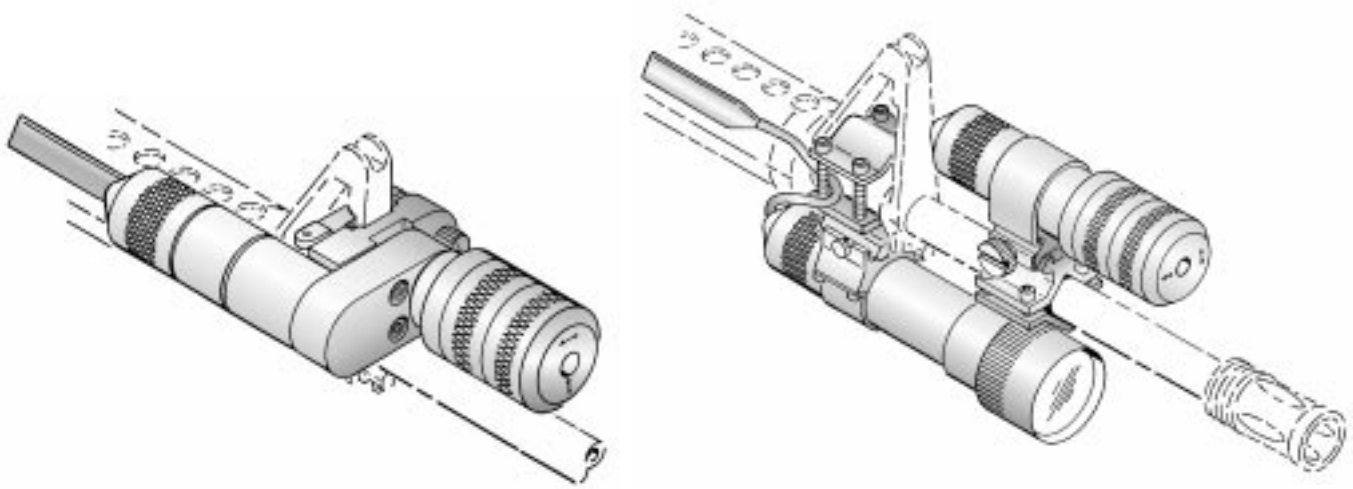
- ◆ It leaves both hands free for your weapon.
- ◆ It gives you instant availability and control of your light whenever you have your weapon in your hand, without degrading your ability to shoot.
- ◆ It lets you shoot your weapon the same way you train.
- ◆ It gives you the ability to switch the light on and off instantly, without changing your grip on your weapon.
- ◆ It gives you the ability to temporarily impair a subject's ability to see. The intensity of a SURE-FIRE Tactical Light's beam seriously impacts the night-vision of the subject, giving you the edge.

Operational and liability considerations mandate the need for light.

After dark, or inside a building, you may need light to locate and evaluate threats and to decide whether to shoot. To provide that light, you can mount a light on your weapon, strap it to your wrist, arm, or head (helmet), or hold it with one of your hands. Mounting a SURE-FIRE light on your weapon works best. Other alternatives simply don't work as well, or they compromise your ability to shoot..

Every SURE-FIRE Tactical Light features:

- ◆ Exceptional light output.
- ◆ Prefocused lamp reflector assembly assures perfect beam focus.
- ◆ Lamp and batteries shock isolated to survive recoil.
- ◆ Beam aligned with weapon.
- ◆ Lamp assembly replaceable in seconds, in the dark.
- ◆ Uses Duracell® lithium batteries.
- ◆ Up to one hour run time.
- ◆ Can easily be mounted without gunsmithing.



For Long Guns

Second, why put a laser sight on your weapon?

- ◆ It dramatically increases ability to shoot accurately and effectively in many low-light situations.
- ◆ It is widely recognized for its intimidation or deterrent value.
- ◆ It does not replace your weapon's conventional sights, but rather, augments them.
- ◆ It is most effective in low light, indoors or out, but not in bright light conditions, at any range. However, the SURE-FIRE laser dot is still bright enough to be seen with even the most powerful tactical lighting.

The important points to consider when adding a light or laser sight to a weapon....

1. Weapon additions should be small and light, and as rugged and reliable as the basic weapon itself.
2. Weapon additions should not obscure your field of view nor affect the operation or handling of the weapon.
3. Tactical lights should provide both a broad and focused target illumination.
4. The beam should be smooth and free of dark spots. Battery run time should be at least 30 minutes.
5. A laser sight should provide a bright, sharp, compact target dot.
6. All switch(es) should be located where they can be reached without moving hands from their normal position on the weapon.
7. The light beam and laser sight should be boresighted to the weapon (light approximate, laser precisely).

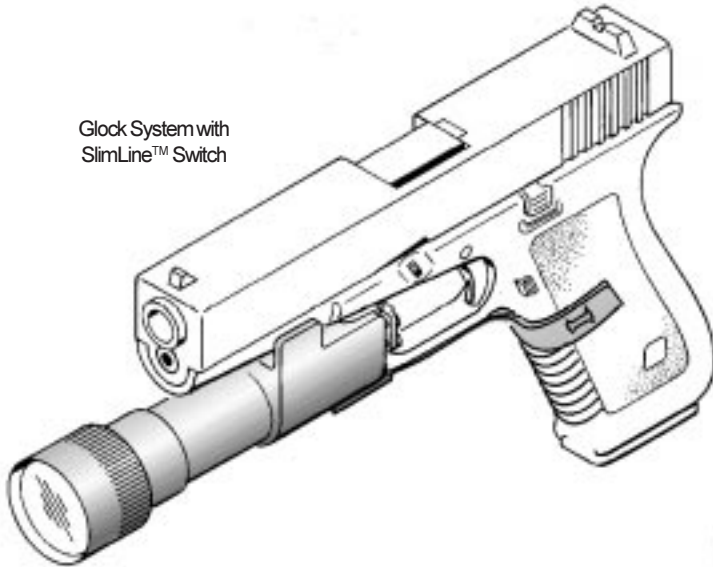
Single Systems for Handguns

By far the best solution.

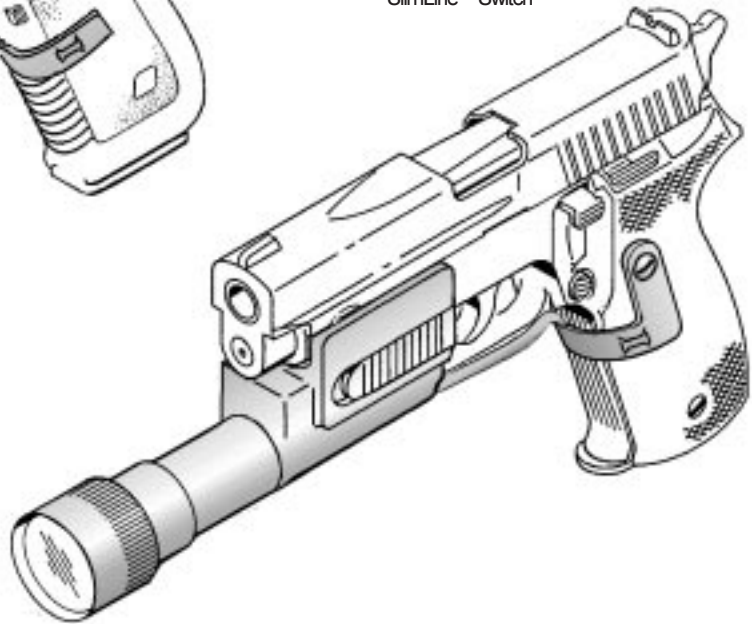
- ◆ Best way to supply light, especially when you have only one hand available.
- ◆ Allows you to shoot weaver or isosceles, strong or weak handed. It allows you to shoot with one hand, do press checks, reloads, and malfunction clearances, all exactly the way you train.

It is best to consider your tactical light a permanent part of your handgun, and train, practice, and deploy with it in place.

Glock System with SlimLine™ Switch



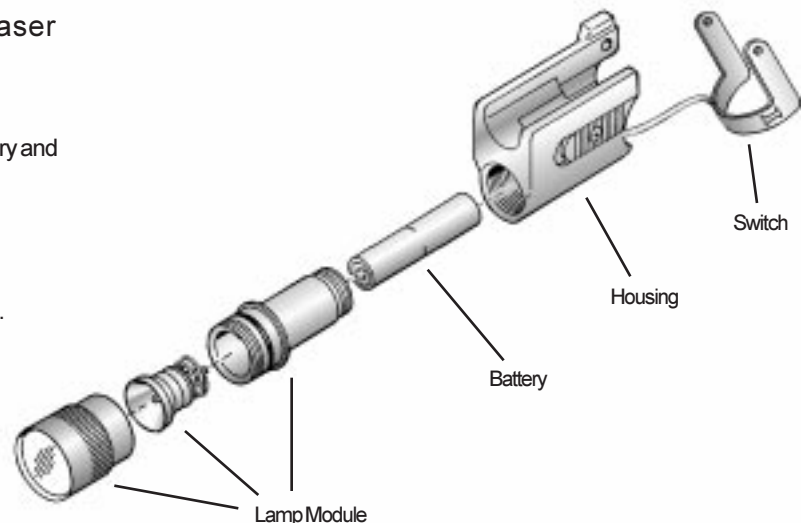
Sig-Sauer System with SlimLine™ Switch



The Basic SURE-FIRE Tactical Light or Laser Sight System consists of:

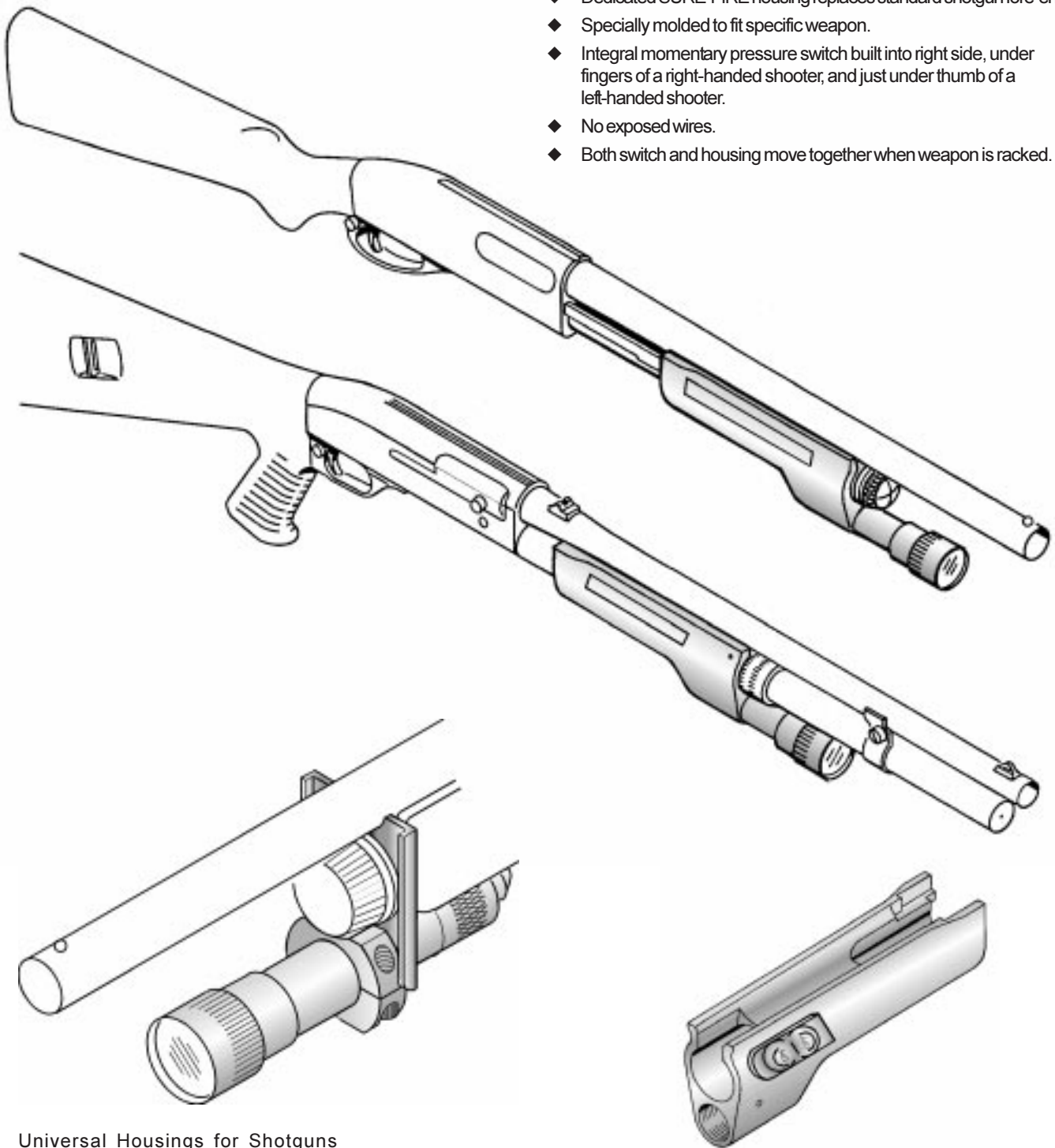
- 1) the housing (dedicated or universal) which mounts to the weapon, holds the battery and lamp module, and incorporates the switches;
- 2) the lamp or laser sight module, which produces the beam;
- 3) the battery, which is the power source;
- 4) the switch(es) which control light turn-on.

For complete SURE-FIRE System listing, see pp. 21 thru 26.



Dedicated Systems for Shotguns

- ◆ Dedicated SURE-FIRE housing replaces standard shotgun fore-end.
- ◆ Specially molded to fit specific weapon.
- ◆ Integral momentary pressure switch built into right side, under fingers of a right-handed shooter, and just under thumb of a left-handed shooter.
- ◆ No exposed wires.
- ◆ Both switch and housing move together when weapon is racked.



Universal Housings for Shotguns

For those automatic shotguns for which we have not yet designed dedicated housings, the universal housing systems are recommended.

For complete SURE-FIRE System listing, see pp. 21 thru 26.

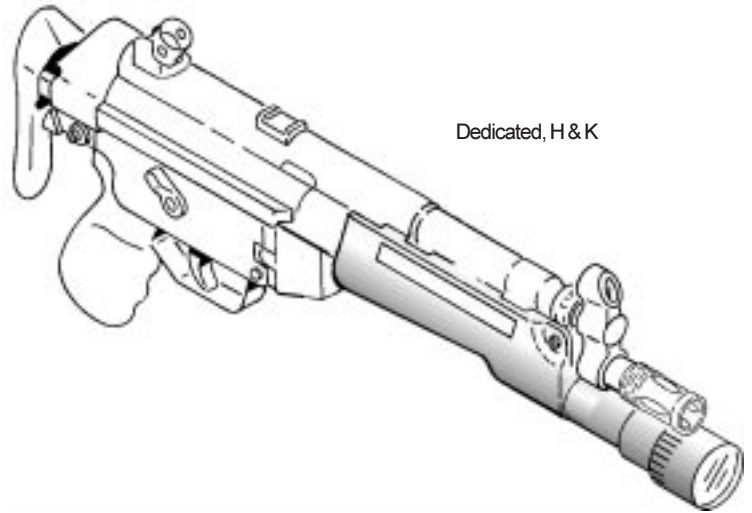
Specials for Dedicated Shotgun Housings

Other switch options are available for dedicated shotgun housings on a special order basis, as described in the section on "Special Systems & Switching" on page 18.

Single Systems for SMG's, Carbines & Rifles

Dedicated Systems for SMG's, Carbines & Rifles

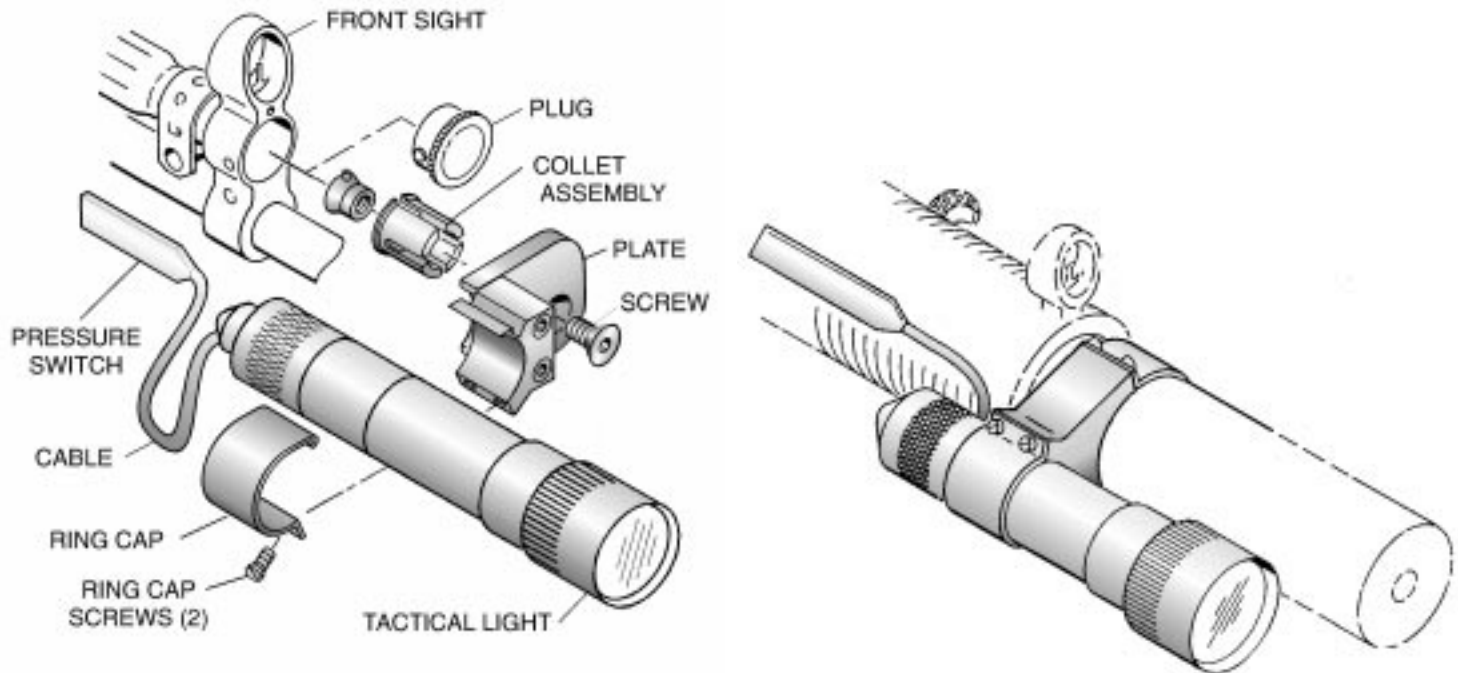
- ◆ On dedicated systems, the momentary pressure switch is integral, built into the right side of the fore-end, under the fingers of right-handed shooters, and just under the thumb of those who are left-handed.
- ◆ Fore-end housings are available incorporating a second switch that is built-in at the factory (on special order), or a cable connected momentary switch, which can be located on the pistol grip.
- ◆ Combinations of other switch options are available on special order. See page 18.



Dedicated, H&K

Universal Systems for SMG's, Carbines & Rifles

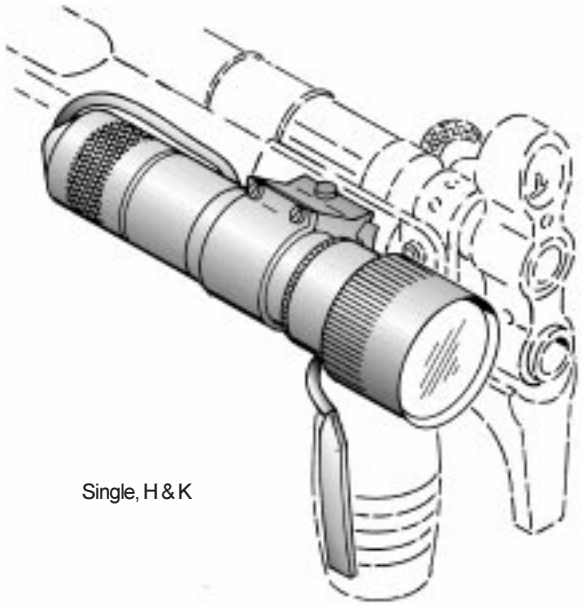
- ◆ As with dedicated systems, universal systems are offered with either one or two momentary pressure switches
- ◆ On one switch systems, the switch can be placed on either the fore-end or the pistol grip.
- ◆ Usually, the second pressure switch is located on the pistol grip, to have control of your light when you have only one hand on your weapon. This is referred to as a dual switch system.



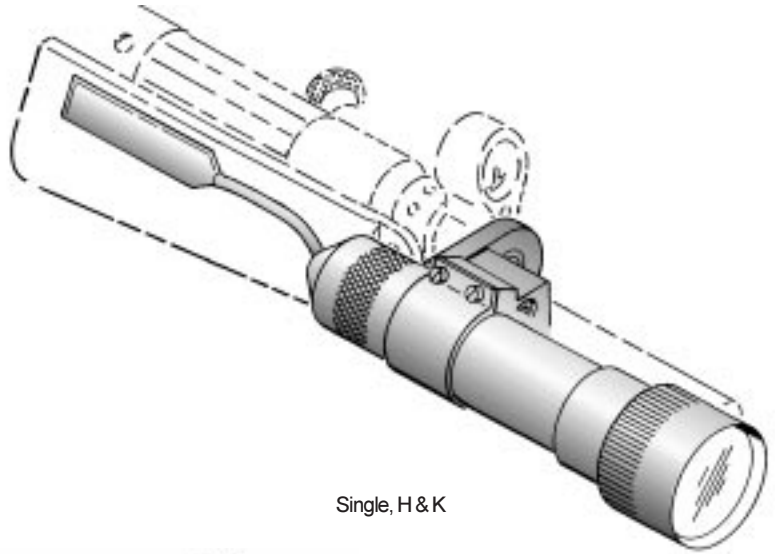
Universal, Suppressed H&K

For complete SURE-FIRE System listing, see pp. 21 thru 26.

Single Systems for SMG's, Carbines & Rifles



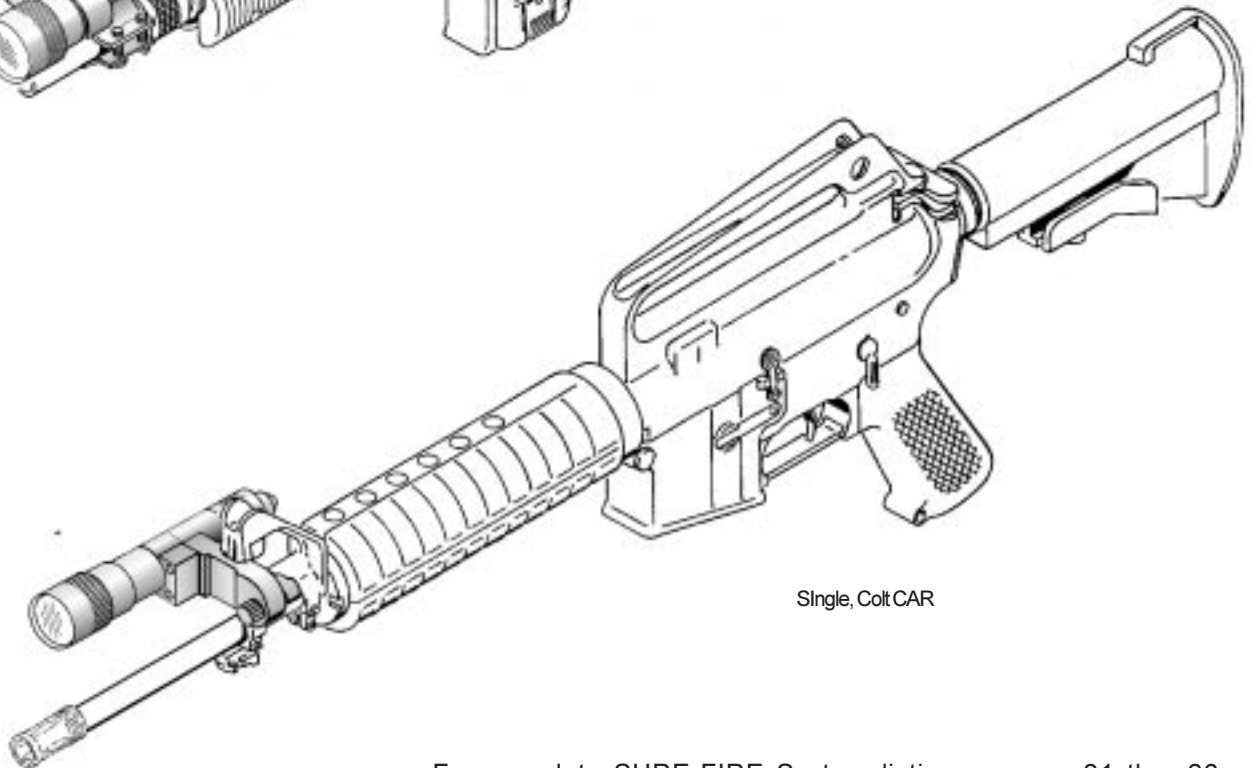
Single, H&K



Single, H&K



Single, UZI



Single, Colt CAR

For complete SURE-FIRE System listing, see pp. 21 thru 26.

Dual Systems

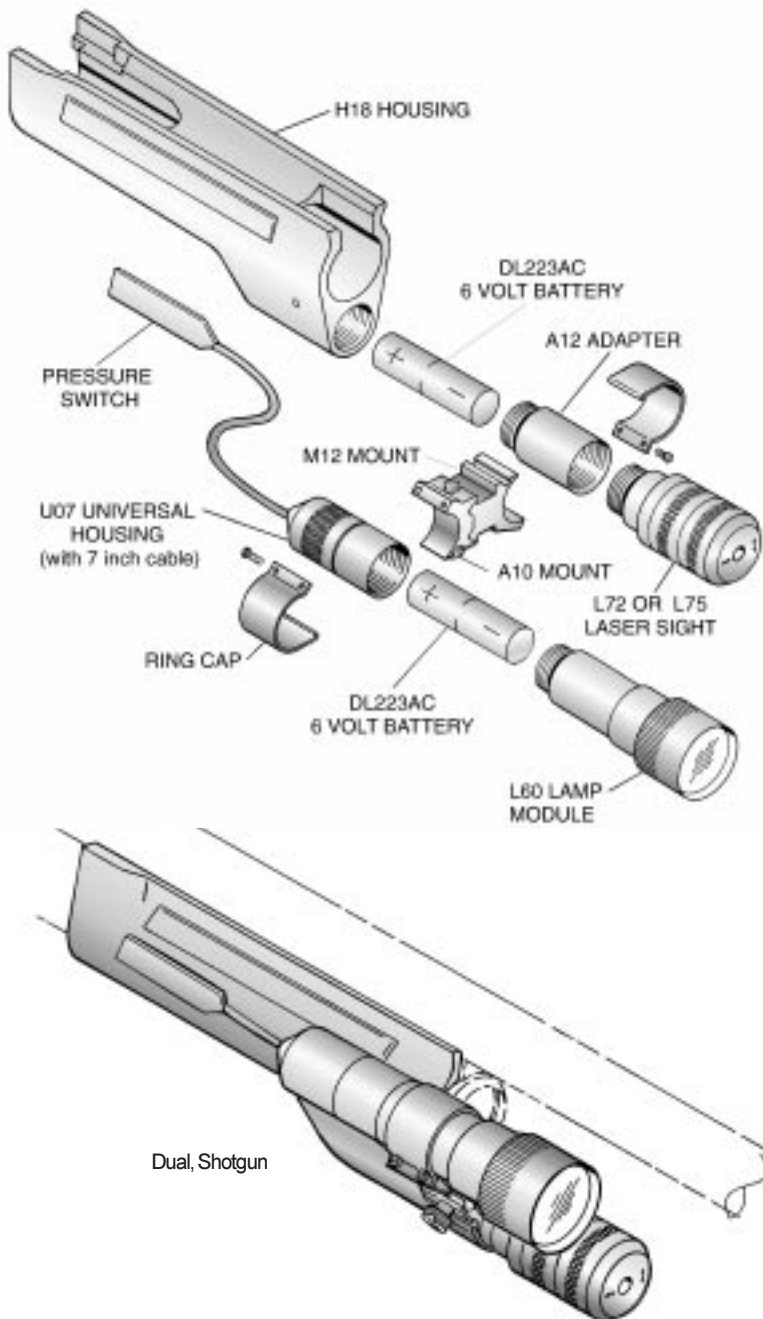
Dual Systems can provide both a light and a laser sight for simultaneous access.

Shooters desiring the benefits of having a light and a laser sight on their weapon should consider mounting a dual system. This means:

- ◆ Installing a dedicated fore-end to house the first module;
- ◆ Installing a separate universal housing to secure the second module.

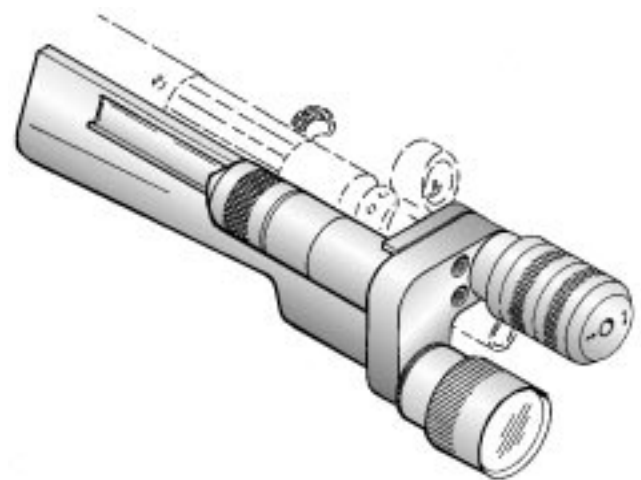
Dual Systems for Shotguns

- ◆ Most shotguns have the pressure switch for the first system (which holds the laser sight module) on the fore-end.
- ◆ The second switch can be located on the shotgun pistol grip.



Dual Systems for SMG's, Carbines & Rifles

- ◆ The housing, mounts, and adapters for the first system are supplied to position the laser sight module on-axis, or as nearly on-axis as possible.
- ◆ For the second module, three pressure switch location options are available: (a) fore-end, (b) pistol grip, and (c) dual, fore-end plus pistol grip. (Also available are special options.)
- ◆ Putting the pressure switch on the pistol grip allows control of the light when only one hand is on the weapon.
- ◆ Using dual switches allows control of the light from both the fore-end and from the pistol grip.
- ◆ A pressure switch on the rear grip should control the light, rather than the laser sight.

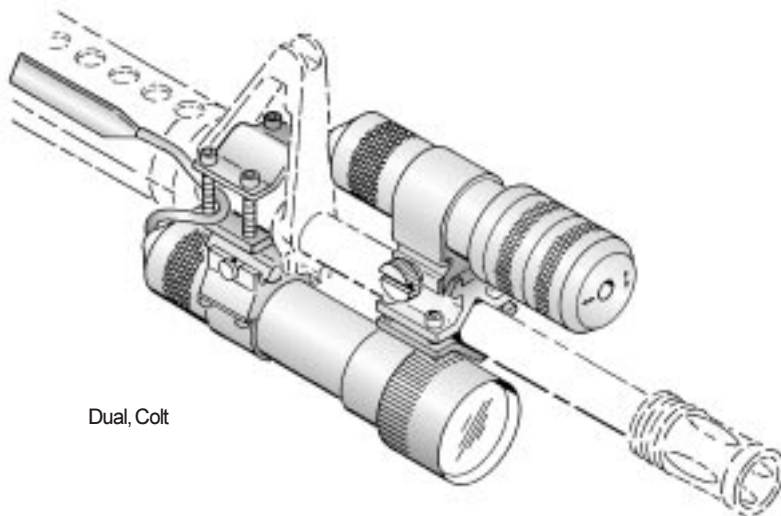
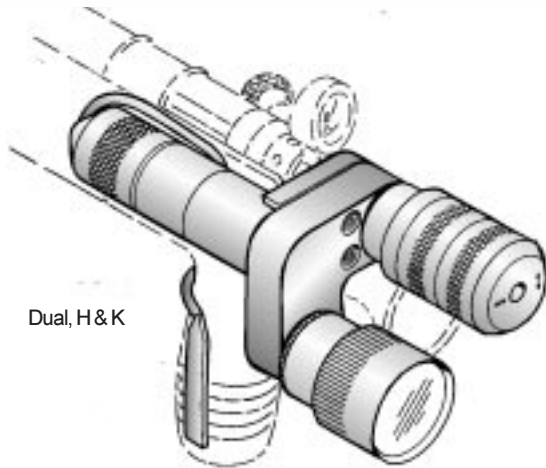
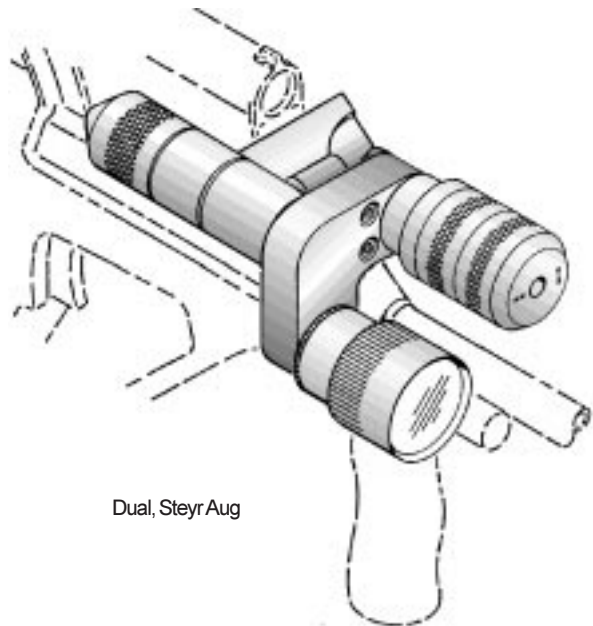
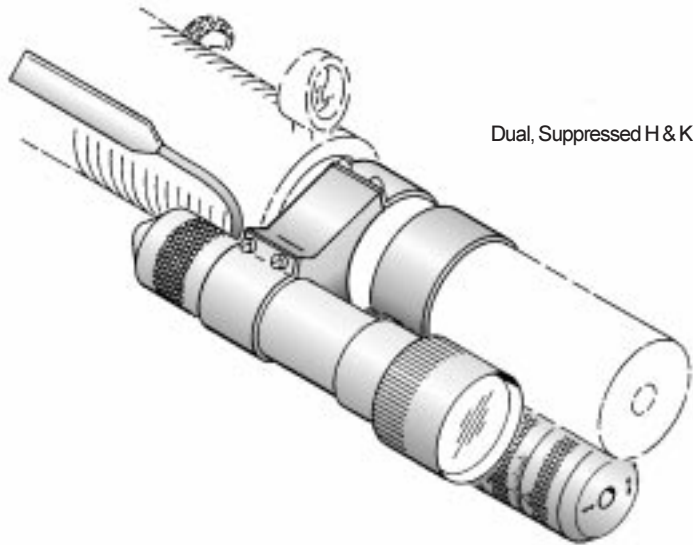


Dual, SMG

Dual Systems for Handguns

Laser Products does not recommend dual systems for handguns.

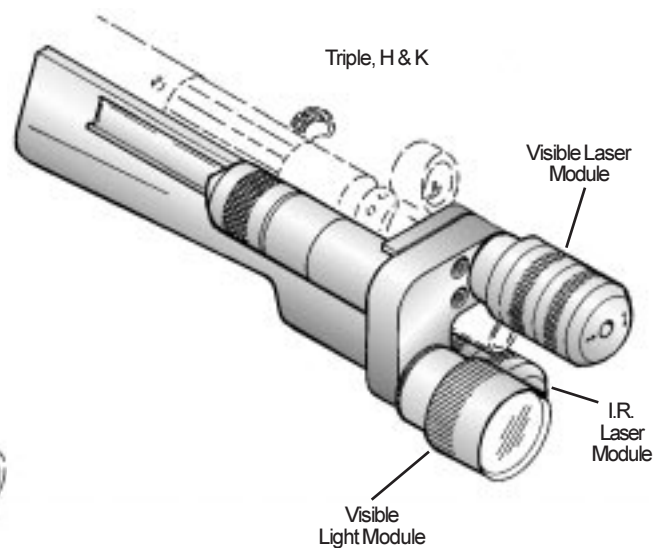
For complete SURE-FIRE System listing, see pp. 21 thru 26.



Triple Systems

- ◆ A single system provides a light or laser sight, but only one at a time. A dual system provides both simultaneously.

A triple system provides not only both light and laser sight simultaneously but also the option of visible or infra-red operation for both light and laser sight, especially when using night vision goggles.



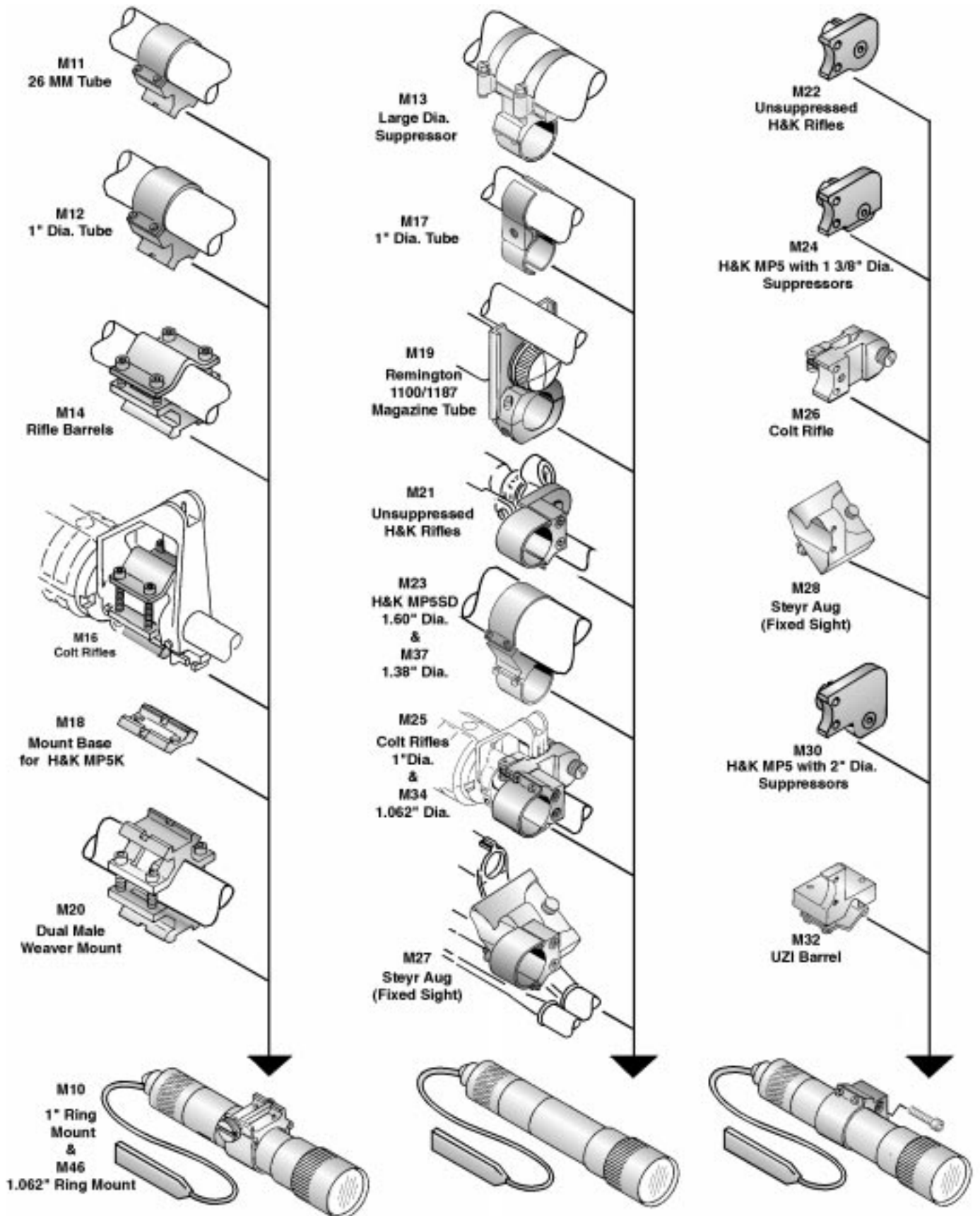
For complete SURE-FIRE System listing, see pp. 21 thru 26.

Mounts

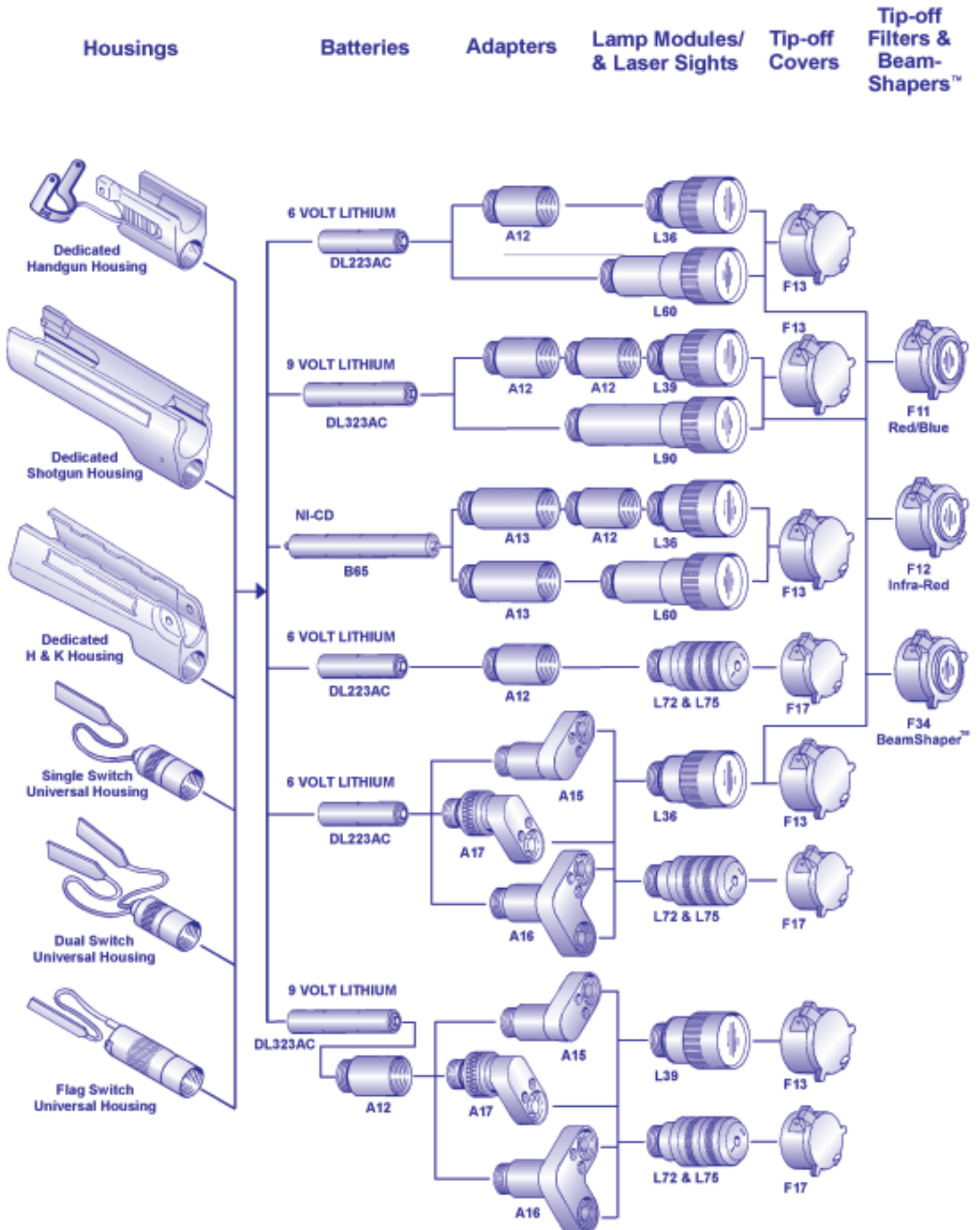
The first group of mounts attach to the weapon and use a male "Weaver" interface, attaching to our M10 and M46, which hold a Universal Housing.

The second group mount directly to the weapon and hold a Universal Housing.

The third group of mounts install on H&K, Colt, SteyrAUG and Uzi weapons and use the A15, A16 and A17 offset adapters.

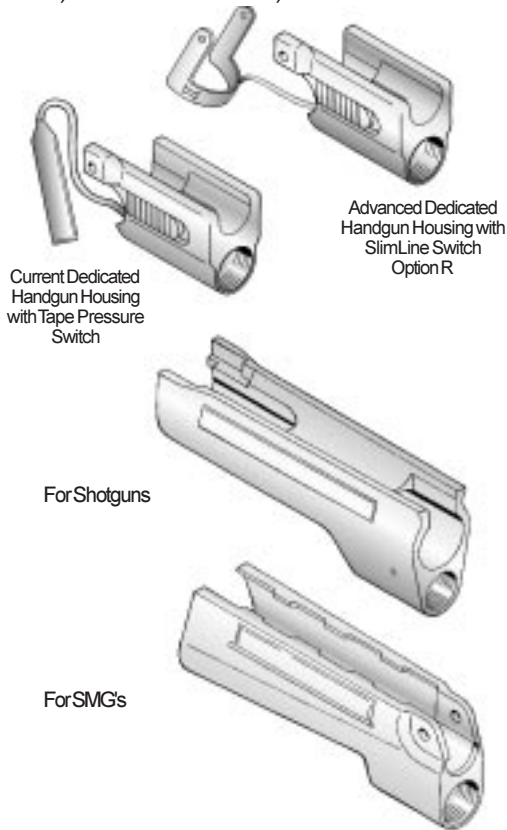


System Modular Components



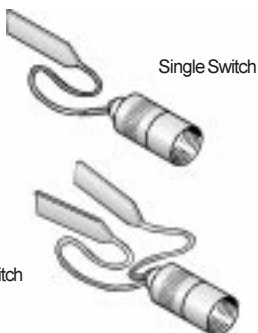
Housings

As discussed earlier, housings mount on the weapon, hold the batteries and incorporate the switches. There are two types: 1) dedicated and 2) universal.



Dedicated housings

These are designed to fit a specific weapon, with their shape, construction, and switch systems optimized for that particular weapon. The switch systems (which are pressure switches built into their sides or connected by electrical cables) are not removable or interchangeable by the user. If something different is required, it is a special order.



Universal housings

Using separate hardware, these housings are mounted to a variety of weapons for which dedicated housings are not available.

Modified Housings

Modified versions of both dedicated and universal housings are available and are described on page 18, titled "Special Systems & Switches".

Batteries

- ◆ It is important to use the right kind of batteries for the particular use the tactical light will see.
- ◆ In the field, batteries must be powerful, small, and ultra-reliable. In other words, Duracell® lithium batteries.
- ◆ High rated/ high capacity Ni-Cd batteries may be used for training, but only lithium batteries can be counted on to deliver anytime, anywhere.

Lithium Batteries

- ◆ Small, powerful, not rechargeable.
- ◆ Hold their capacity almost indefinitely, shelf life of 10 years.
- ◆ Allow you to estimate how much run time you have left by the brightness of the light, which gradually diminishes over the last half of the battery's useful run time.
- ◆ Ideal for weapons-mounted lights which must perform reliably when needed even though the weapon has not been frequently used.



DL123A Lithium Battery -3 volt

Two of these DL123A batteries may be used in place of one DL223AC battery in all SURE-FIRE tactical lights, flashlight, and laser sights. However, the two cell DL223AC is preferred for use in weapon-mounted lights and laser sights because it eliminates the possibility of the individual batteries pounding together during firing. Such pounding, in high recoil weapons, can damage the batteries and result in unreliable operation.



DL223AC Lithium Battery -6 volt

Contains two 3-volt Duracell DL123A lithium cells arranged end to end within a plastic sleeve. Electrically connected and buffered from cell-to-cell pounding by a load washer, which prevents cell damage during weapon recoil. This battery is manufactured by Laser Products and is available only through our dealers or distributors.



DL323AC Lithium Battery, 9-volt

Similar to the six-volt DL223AC only contains three DL123A cells rather than two.

The type, size, and number of batteries play a large part in determining many factors regarding your system. They are:

- ◆ size,
- ◆ weight,
- ◆ light output power,
- ◆ run time,
- ◆ low temperature performance,
- ◆ end of life warning,
- ◆ operational reliability,
- ◆ operating cost.

Rechargeable (Ni-Cd) Batteries

- ◆ Frequent use (and hence frequent recharging) prevents self-discharging from being a problem.

Running the light past the point where it has noticeably dimmed, as well as overcharging the battery, can damage Ni-Cd batteries.

SURE-FIRE RapidChargers prevent damage by monitoring and controlling the charging current. (See page 19.)

- ◆ Recommended for Training ONLY.



B65 Ni-Cd Battery

Rechargeable B65 Ni-Cd Battery contains four super-high capacity nickel-cadmium cells assembled end to end as in the DL223AC battery. This battery is also available only through Laser Products' dealers and distributors.

Adapters are used to provide the extra length needed to hold longer batteries.

The A12 Adapter

- ◆ Lengthens some housings (dedicated or universal) to accommodate 6 volt DL223AC Lithium Battery.
- ◆ Used for mounting a second housing to a dedicated housing to create a dual system.
- ◆ Used between a Model L36 "short", 6 volt Lamp Module and a universal housing to provide an offset system.

The A13 Adapter

- ◆ Added to the A12, increases length to accommodate the rechargeable B65 Ni-Cd battery.

The A15, A16 & A17 Offset Adapters

Although these three adapters provide additional length to hold the DL223AC battery, they have a fundamentally different purpose. They are used with special mounts for H & K, Colt, Steyr AUG, Uzi, and other weapons to provide the means to mount the lamp off to the side and back of the front sight, while keeping the laser sight module centered on axis, above the barrel. This provides for a much shorter system than would otherwise be possible.

The A15 & A16 offset adapters

The A15 accepts one light or laser module while the A16 accepts two. In both cases, a single universal housing is used.

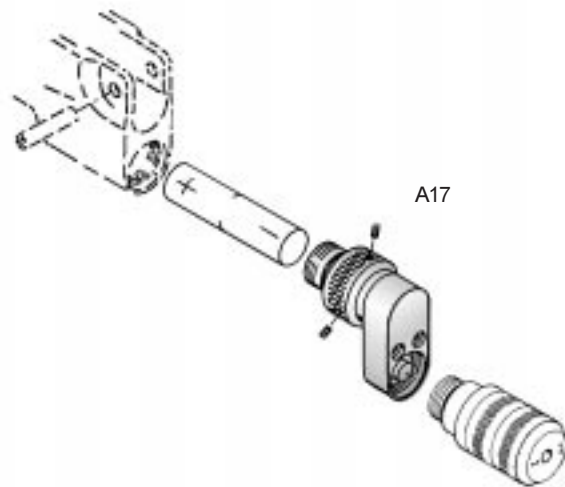
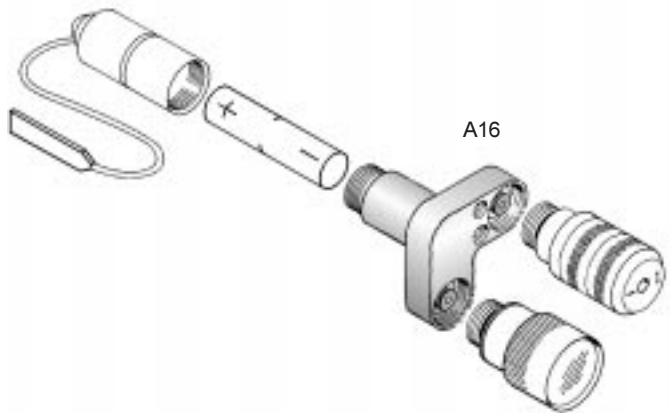
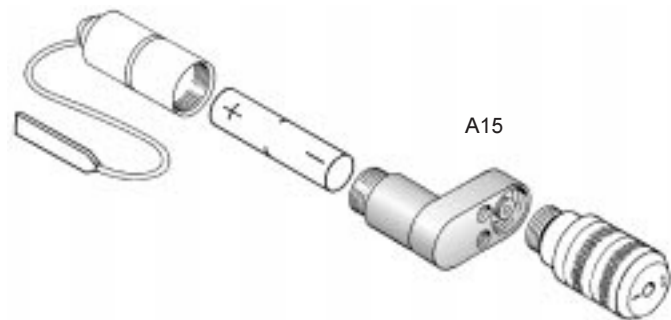
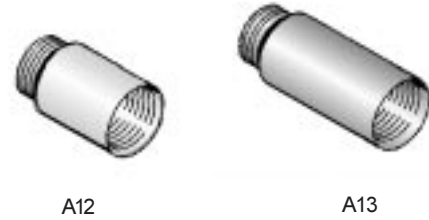
With the A16 Offset Adapter, both modules are powered by the same battery: a six volt DL223AC lithium battery or a B65 Ni-Cd Battery (with the addition of an A13 Adapter.)

The A17 Adjustable offset adapter

Allows use of the Model H28 dedicated housing on MP5 SMG's with new silencers, and allows user to set the position.

Keeping your system "short."

The A15, A16 and A17 Adapters are particularly well suited for systems using the rechargeable Ni-Cd Battery. The extra length of the A13 Adapter extends the housing backwards, rather than moving the lamp or laser sight module forward. The system thus remains "short" instead of extending further forward. This is desirable on most weapon systems.



Lamp Modules

The lamp module is the heart of every SURE-FIRE tactical light system. Total light output, beam geometry, beam quality, service life and reliability are completely integrated in the form of the SURE-FIRE Lamp Module.

The lamp module is a self-contained unit incorporating a pre-focused lamp, positioned precisely at the proper point within the special reflector. This factory-assembled unit assures that the beam will be smooth and consistent, with no dark spots or rings. The module is specially shock-isolated, designed to withstand the beating of weapon recoil.

L60 Lamp Module

- ◆ Preferred by most law enforcement officers.
- ◆ Light output exceeds 5 cell flashlights.
- ◆ Has both flood and focused beam pattern.



Brightness: 60 lumens
 Length 3.12 inches
 Weight 3.0 oz.
 Max. dia. 1.38 inches
 Lamp Assy P60 high-pressure xenon

L36 Lamp Module

- ◆ Shorter than L60 but equal performance.
- ◆ Used with A15, A16 and A17 Adapters.
- ◆ Used with A12 Adapter on either dedicated or universal housings.



Brightness : 60 lumens
 Length 1.90 inches
 Weight 2.1 oz.
 Max. dia. 1.38 inches
 Lamp Assy P60 high-pressure xenon

L39 Lamp Module

- ◆ Same size as L36 but for 9-volt systems.
- ◆ Used with A15, A16 and A17 Adapters.
- ◆ Used with A12 Adapter on either dedicated or universal housings.



Brightness: 105 lumens
 Length 1.90 inches
 Weight 2.1 oz.
 Max. dia. 1.38 inches
 Lamp Assy P90 xenon/halogen

L90 Lamp Module

- ◆ Body 1.3 inches longer than L60
- ◆ Used in 9-volt systems



Brightness: 105 lumens
 Length 4.52 inches
 Weight 3.6 oz.
 Max. dia. 1.38 inches
 Lamp Assy P90 xenon/halogen

Laser Sight Modules

- ◆ Optical steering accomplished by rotating two prisms built into the front of laser sight module.
- ◆ Laser, focusing optics, and electronics hard mounted within module body.
- ◆ Hard mounting insures longer laser diode life and shock resistance—virtually eliminates the point-of-impact shifts that can occur with “set screw” type adjustments.
- ◆ Exact positions of the two prisms are shown by engraved scales on module
- ◆ Full O-ring sealing permits underwater submersion to 30 meters, full protection of the optics from powder buildup or other damage when using replaceable windows.
- ◆ Continuous operation provides twice the average power compared with “pulsing” types.
- ◆ Continuous target spot easier to locate and follow.

For
L72
Visible
Laser
Module



For
L75
Infra-Red
Laser
Module



Caution: Use of controls or adjustments or performance of procedures other than those specified herein may result in hazardous radiation exposure.

Tip-Off Covers & Beam Modifiers



L72 Visible Laser Sight Module

- ◆ 635nm Visible laser sight.
- ◆ Brightest (most easily seen) red laser beam and target spot commercially/legally available.
- ◆ Increases visual brightness by 700%.

Wavelength 635nm
 Range at least 300 meters.
 Length 1.95 inches
 Weight 4.6 ounces
 Diameter 1.25 inches
 Power 5 milliwatts

Battery One 6 volt Duracell DL223AC Lithium Battery

Run time Approx. 24 hours continuous operation.



L75 Infra-Red Laser Sight Module

- ◆ 830nm Infra-red Laser for covert use with night-vision goggles.
 - ◆ Invisible to the human eye
- Same optical sighting-in system as L72 only with optics designed for infra-red light.

NOTE. Infra-red Laser Sights Can only be delivered to Law Enforcement or Military units.

Wavelength 830nm
 Range at least 300 meters.
 Length 1.95 inches
 Weight 4.6 ounces
 Diameter 1.25 inches
 Power 3 milliwatts.

Battery One 6 volt Duracell DL223AC Lithium Battery

Run time Approx. 24 hours continuous operation.

NOTE.

I.R. lasers can only be used with momentary switches. ON/OFF switches are not allowed by Federal Regulation.

Very Important

Infra-red laser beams need strict eye-safety warnings and require attention to minimize the risk of eye injury. You should not look or stare into either the visible or infra-red laser beams, just as you should not stare at the sun.

With the L72 module, the beam is so bright you will automatically shut your eyes or look away, in about a quarter of a second. With the L75 module, however, the eye does not provide this reflex for the invisible infra-red beam, and eye damage is possible with Class IIIb systems. This raises questions relating to eye safety, variances, and liability that need to be addressed when specifying what laser output power is to be supplied.



Tip-Off Covers

- ◆ Prevent beam from being seen.
- ◆ Can be flipped open or shut instantly.
- ◆ Covers for both tactical lights and laser sights.

Beam Modifying Accessories

These "flip-open" devices fit over the bezel and change either the color of the beam or the angular width.

BeamFilters™

- ◆ Optical filter material.
- ◆ Blue useful to show blood trails.
- ◆ Red helps avoid loss of dark adaptation.
- ◆ Infra-red useful with NVG equipment.



BeamShapers™

- ◆ Special holographic lens.
- ◆ Expands focused beam into wide-angle, smooth and symmetrical beam.
- ◆ Expands beam to five times original diameter.
- ◆ No dark spots or rings.

Special Systems and Switches

Specials are components or systems that are available on special order only. Most involve the replacement or addition of housing switches. In that regard:

To control the light, three types of switches are used:

- 1) Momentary, 2) Constant On, 3) Disable

Momentary On switch

- ◆ Stays on only as long as you apply (finger) pressure to it.

All of the switches normally supplied with SURE-FIRE housings are of the momentary type. These include the "flat" pressure switches that are built into the right side of the dedicated H&K and shotgun fore-end housings, and the similar (but shorter) switches that are connected by electrical cable to the handgun, universal, and H&K housings. It also includes the slide switch built into the handgun housings.

Constant On switch (Parallel wiring)

- ◆ Stays on until you turn it off.

This is a valuable capability to have on systems where the momentary switch(es) are activated by the user's support hand. This type of switch provides the ability to have the light stay on when the support hand needs to be removed from the weapon to accomplish other tasks.

Option T Available for all universal housings

Example: UxxT, where xx is cable length in inches

Flag Switch, two-position, detent type, parallel wired.

Disable switch (Series wiring)

- ◆ Wired to disable momentary switch(es).
- ◆ Provides a means to prevent "accidental" activation of your light.



Option S Available for all universal housings

Example: UxxS, where xx is cable length in inches

Flag Switch, two-position, detent type, series wired.

SPECIALS for UNIVERSAL HOUSINGS



Option B

Available for universal housings only.
Replaces one pressure switch with an On/Off switch, parallel wired.

Option D

Available for dual Universal Housings only.
Replaces one pressure switch with an On/Off switch, series wired.

Option L

Available for universal housings only.
Longer switch. Can be used in combination with Options B, D, and waterproofing options H and K.

SPECIALS for HANDGUNS

Option R SlimLine™ Switch (replaces tape switch)

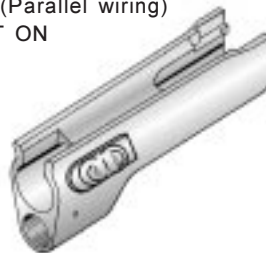


Available for certain handgun models.
Available also as retrofit, except Glock and Sigma.
Provides ambidextrous switch control for handguns.
Switch wraps around grip below trigger guard.

SPECIALS for SHOTGUNS & SMG'S

Option F (Parallel wiring) CONSTANT ON

For
Shotguns



For H&K



Available for: All dedicated shotgun housings

All dedicated H & K housings

Waterproof 2-button ON/OFF Switch

Located on left side of housing, operated by thumb of right-handed shooter or by index finger of left-handed shooter.

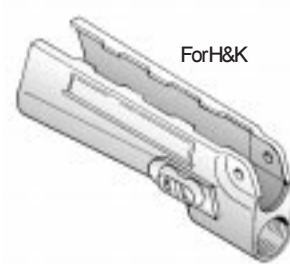
Available also in combination with Option G, H or K.

Option G (Series wiring) DISABLE

For Shotguns



For H&K



Available for: All dedicated shotgun housings

All dedicated H & K housings

Waterproof 2-button ON/OFF Switch

On shotguns, it is located on right side of housing, forward of the shortened momentary switch.

On H & K housings, it is located forward but below momentary switch.

WATERPROOFING for ALL HOUSINGS

Option H

Available for all housings
Modifications necessary for submersion to thirty meters.
Stiffens action of switches

Option K

Available for all housings
Modifications necessary for submersion to thirty meters.
Does not stiffen action of switches

Chargers & Conversion Kits

Two types of SURE-FIRE chargers are available:

- 1) RapidCharger
- 2) Overnight

RapidCharger (2 hrs. or less)

- ◆ Continually electronically monitors charging process.
- ◆ When battery reaches full charge, current is automatically lowered to "maintenance" level.
- ◆ Red indicator light glows during high charging.
- ◆ Green indicator light glows at charge completion and during "maintenance" mode.

Overnight (11 hrs.)

- ◆ Red indicator light glows as current flows through battery.
- ◆ Current continues to flow until battery is removed. Light goes out.

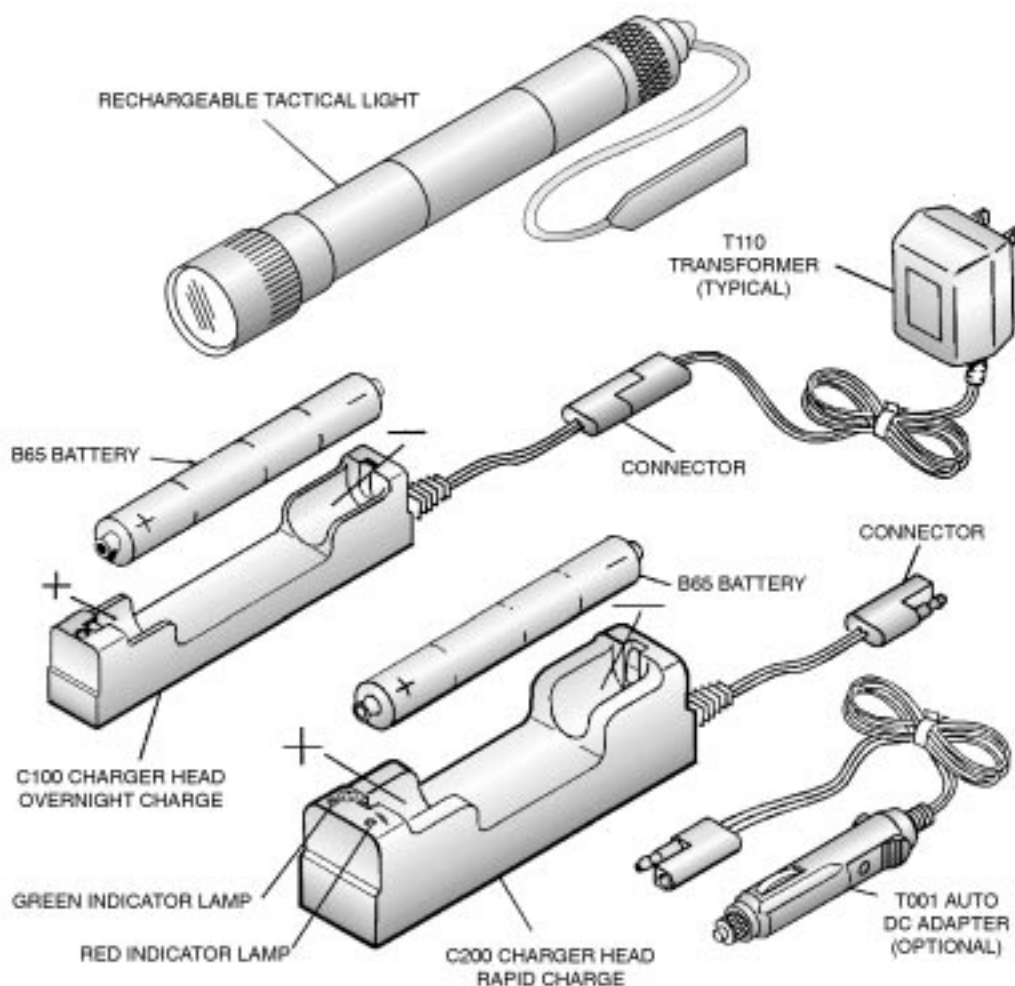
Power Sources

- ◆ AC power, DC automobile plug, or both.

PLEASE NOTE:
Rechargeable batteries and systems are NOT recommended for tactical situations, only for training.

Converting to Rechargeable Batteries

Since most tactical light and laser sight systems are delivered with lithium power as standard, SURE-FIRE Conversion Kits are available allowing you to convert to rechargeable batteries for training use. Illustration below shows both rapid and overnight chargers.



Accessories

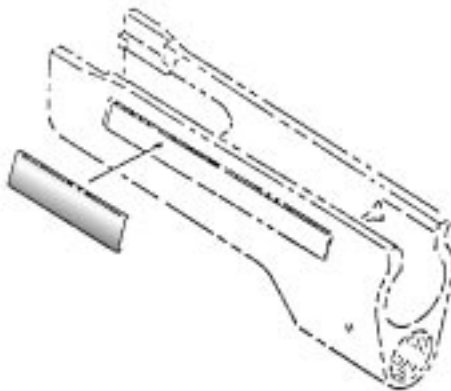
Housing Plug, Model A11

- ◆ Aluminum plug that can replace a lamp or laser module in any housing.
- ◆ Used to seal housing when modules are removed for heavy practice firing.



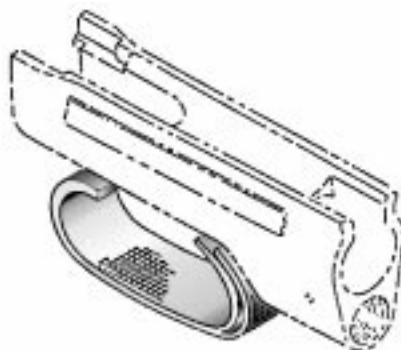
Switch Blocking Device Model Z10

- ◆ Reduces active area of built-in pressure switches.
- ◆ Reduces likelihood of accidental activation.



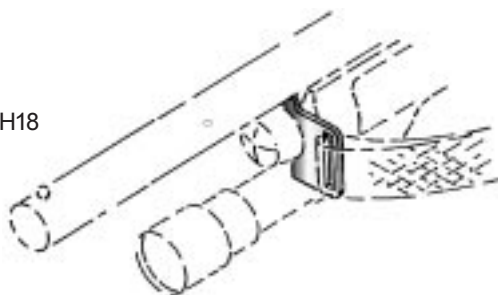
Shotgun Safety Strap, Model Z11

- ◆ Prevents shotgun user's hand from slipping off the dedicated fore-end.
- ◆ Attached with two screws, requires factory-installed inserts in fore-end.



Shotgun Sling Mount Model Z24

- ◆ Heavy duty left side sling for Remington 870 and SURE-FIRE H18 housing.
- ◆ Installs under magazine.
- ◆ Accepts 1.25" sling.



Limited Edition
Team SURE-FIRE
T-Shirts Available
Call factory for details.

J o i n
T E A M



SURE-FIRE
by LASER PRODUCTS

Complete Systems by Weapon

		Six Volt Tactical Light Systems			Visible Laser Sight Systems			Dual Six Volt Tactical Light, Laser Sight Systems
Switch	Model	Components	Model	Components	Model	Components		Components

AMERICAN ARMS & MITCHELL ARMS AK-47 Rifles, 7.62 x 39 cal.

FE	651	L60,U04,M10,M14,DL223A	551	L72,U04,M10,M14,A12,DL223AC	451	L72,U04,M10,M14,A12,DL223AC,L60,U07,M10,M14,DL223AC
PG	6511	L60,U16,M10,M14,DL223A	5511	L72,U16,M10,M14,A12,DL223AC	4511	L72,U04,M10,M14,A12,DL223AC,L60,U20,M10,M14,DL223AC
BOTH	6512	L60,U0416,M10,M14,DL223A	5512	L72,U0416,M10,M14,A12,DL223AC	4512	L72,U04,M10,M14,A12,DL223AC,L60,U0720,M10,M14,DL223AC

AMT HARDBALLER, AUTO ORDNANCE & SPRINGFIELD 1911A1 Pistols, .45 ACP

PG	611	L60,H11,DL223AC	511	L72,H11,A12,DL223AC		N/A
----	-----	-----------------	-----	---------------------	--	-----

ARMALITE AR180, AR18 Rifles, .223 cal.

FE	652	L60,U07,M10,M14,DL223AC	552	L72,U07,M10,M14,A12,DL223AC	452	L72,U07,M10,M14,A12,DL223AC,L60,U08,M10,M14,DL223AC
PG	6521	L60,U22,M10,M14,DL223AC	5521	L72,U22,M10,M14,A12,DL223AC	4521	L72,U07,M10,M14,A12,DL223AC,L60,U23,M10,M14,DL223AC
BOTH	6522	L60,U0722,M10,M14,DL223AC	5522	L72,U0722,M10,M14,A12,DL223AC	4522	L72,U07,M10,M14,A12,DL223AC,L60,U0823,M10,M14,DL223AC

AUSTRALIAN ARMS SAP, MPSAP Pistols, .223, 7.62 x 39, 9mm

FE	688	L60,U04,M10,M14,DL223AC	588	L72,U04,M10,M14,A12,DL223AC	488	L72,A12,U04,M10,M14,DL223AC,L60,U05,M10,M12,DL223AC
PG	6881	L60,U16,M10,M14,DL223AC	5881	L72,U16,M10,M14,A12,DL223AC	4881	L72,A12,U04,M10,M14,DL223AC,L60,U17,M10,M12,DL223AC
BOTH	6882	L60,U0416,M10,M14,DL223AC	5882	L72,U0416,M10,M14,A12,DL223AC	4882	L72,A12,U04,M10,M14,DL223AC,L60,U0517,M10,M12,DL223AC

BENELLI SUPER 90 Shotgun, 12ga S/N below M104801

FE	616	L60,H16,DL223AC	516	L72,H16,A12,DL223AC	416	L72,A12,H16,DL223AC,L60,U07,M10,M12,DL223AC
----	-----	-----------------	-----	---------------------	-----	---

BENELLI SUPER 90 Shotgun, 12ga S/N above M104801

FE	617	L60,H17,DL223AC	517	L72,H17,A12,DL223AC	417	L72,A12,H17,DL223AC,L60,U07,M10,M12,DL223AC
----	-----	-----------------	-----	---------------------	-----	---

BERETTA 92F/SB, 9mm Series Pistols

PG	633	L60,H33,DL223AC	533	L72,H33,A12,DL223AC		N/A
----	-----	-----------------	-----	---------------------	--	-----

BERETTA 96F, 10mm Pistol

PG	637	L60,H37,DL223AC	537	L72,H37,A12,DL223AC		N/A
----	-----	-----------------	-----	---------------------	--	-----

BERETTA M12S SMG, 9mm

FE	653	L60,U04,M10,M14,DL223AC	553	L72,U04,M10,M14,A12,DL223AC	453	L72,A12,U04,M10,M14,DL223AC,L60,U06,M10,M12,DL223AC
PG	6531	L60,U16,M10,M14,DL223AC	5531	L72,U16,M10,M14,A12,DL223AC	4531	L72,A12,U04,M10,M14,DL223AC,L60,U18,M10,M12,DL223AC
BOTH	6532	L60,U0416,M10,M14,DL223AC	5532	L72,U0416,M10,M14,A12,DL223AC	4532	L72,A12,U04,M10,M14,DL223AC,L60,U0618,M10,M12,DL223AC

BERETTA SC70, AR70 Rifles, .223

FE	654	L60,U04,M10,M14,DL223AC	554	L72,U04,M10,M14,A12,DL223AC	454	L72,A12,U04,M10,M14,DL223AC,L60,U06,M10,M12,DL223AC
PG	6541	L60,U24,M10,M14,DL223AC	5541	L72,U24,M10,M14,A12,DL223AC	4541	L72,A12,U04,M10,M14,DL223AC,L60,U25,M10,M12,DL223AC
BOTH	6542	L60,U0424,M10,M14,DL223AC	5542	L72,U0424,M10,M14,A12,DL223AC	4542	L72,A12,U04,M10,M14,DL223AC,L60,U0625,M10,M12,DL223AC

BERETTA 1200PF Shotgun, 12ga

FE	606	L60,H06,DL223AC	506	L72,H06,A12,DL223AC		N/A
----	-----	-----------------	-----	---------------------	--	-----

CALICO 951 Carbine, 9mm

FE	658	L60,U09,M10,M14,DL223AC	558	L72,U09,M10,M14,A12,DL223AC	458	L72,U09,M10,M14,A12,DL223AC,L60,U09,M10,M14,DL223AC
PG	6581	L60,U16,M10,M14,DL223AC	5581	L72,U16,M10,M14,A12,DL223AC	4581	L72,U09,M10,M14,A12,DL223AC,L60,U18,M10,M14,DL223AC
BOTH	6582	L60,U0916,M10,M14,DL223AC	5582	L72,U0916,M10,M14,A12,DL223AC	4582	L72,U09,M10,M14,A12,DL223AC,L60,U0918,M10,M14,DL223AC

For additional systems, call the factory. FE = Fore-end PG = Pistol Grip

Complete Systems by Weapon

		Six Volt Tactical Light Systems			Visible Laser Sight Systems			Dual Six Volt Tactical Light, Laser Sight Systems
Switch	Model	Components	Model	Components	Model	Components		Components

COLT GOV'T & other "O" frame Pistols, .45 ACP & Delta Elite 10mm

PG	610	L60,H10,DL223AC	510	L72,H10,A12,DL223AC		N/A
----	-----	-----------------	-----	---------------------	--	-----

COLT SMG, CAR 15/16, Commando 9mm, Carbines, .223 (Requires the removal of sling ring to use)

FE	659	L60,U05,M10,M16,DL223AC	559	L72,U05,M10,M16,A12,DL223AC	459	L72,U05,M10,M16,A12,DL223AC,L36,A12,U04,M25,DL223AC
PG	6591	L60,U19,M10,M16,DL223AC	5591	L72,U05,M10,M16,A12,DL223AC	4591	L72,U05,M10,M16,A12,DL223AC,L36,A12,U18,M25,DL223AC
BOTH	6592	L60,U0519,M10,M16,DL223AC	5592	L72,U0519,M10,M16,A12,DL223AC	4592	L72,U05,M10,M16,A12,DL223AC,L36,A12,U0418,M25,DL223AC

COLT SMG, CAR 15/16, M4 Carbines, 9mm, .223

FE	674	L36,A12,U04,M25,DL223AC		not recommended		N/A
PG	6741	L36,A12,U18,M25,DL223AC		not recommended		N/A
BOTH	6742	L36,A12,U0418,M25,DL223AC		not recommended		N/A

COLT SMG, CAR 15/16, M4 Carbines, 9mm, .223

FE	676	L36,U05,A15,M26,DL223AC	576	L72,U05,A15,M26,DL223AC	476	L72,U05,A16,M26,DL223AC,L36
PG	6761	L36,U19,A15,M26,DL223AC	5761	L72,U19,A15,M26,DL223AC	4761	L72,U19,A16,M26,DL223AC,L36
BOTH	6762	L36,U0519,A15,M26,DL223AC	5762	L72,U0519,A15,M26,DL223AC	4762	L72,U0519,A16,M26,DL223AC,L36

COLT CAR 15/16, M4 Carbines, .223

FE	660	L60,U04,M10,M14,DL223AC	560	L72,U04,M10,M14,A12,DL223AC	460	L72,U04,M10,M14,A12,DL223AC,L60,U05,M10,M16,DL223AC
PG	6601	L60,U18,M10,M14,DL223AC	5601	L72,U18,M10,M14,A12,DL223AC	4601	L72,U04,M10,M14,A12,DL223AC,L60,U19,M10,M16,DL223AC
BOTH	6602	L60,U0418,M10,M14,DL223AC	5602	L72,U0418,M10,M14,A12,DL223AC	4602	L72,U04,M10,M14,A12,DL223AC,L60,U0519,M10,M16,DL223AC

COLT AR15, M16 Rifles, .223 (Requires the removal of sling ring to use)

FE	661	L60,U08,M10,M16,DL223AC	561	L72,U08,M10,M16,A12,DL223AC	461	L72,U07,M10,M14,A12,DL223AC,L60,U08,M10,M16,DL223AC
PG	6611	L60,U24,M10,M16,DL223AC	5611	L72,U24,M10,M16,A12,DL223AC	4611	L72,U07,M10,M14,A12,DL223AC,L60,U24,M10,M16,DL223AC
BOTH	6612	L60,U0824,M10,M16,DL223AC	5612	L72,U0824,M10,M16,A12,DL223AC	4612	L72,U07,M10,M14,A12,DL223AC,L60,U0824,M10,M16,DL223AC

COLT AR15, M16 Rifles, .223

FE	662	L60,U07,M10,M14,DL223AC	562	L72,U07,M10,M14,A12,DL223AC	462	L72,U07,M10,M14,A12,DL223AC,L60,U07,M10,M14,DL223AC
PG	6621	L60,U23,M10,M14,DL223AC	5621	L72,U23,M10,M14,A12,DL223AC	4621	L72,U07,M10,M14,A12,DL223AC,L60,U23,M10,M14,DL223AC
BOTH	6622	L60,U0723,M10,M14,DL223AC	5622	L72,U0723,M10,M14,A12,DL223AC	4622	L72,U07,M10,M14,A12,DL223AC,L60,U0723,M10,M14,DL223AC

COLT AR15, M16 Rifles, .223

FE	678	L60,U07,M25,DL223AC		not recommended		N/A
PG	6781	L60,U23,M25,DL223AC		not recommended		N/A
BOTH	6782	L60,U0723,M25,DL223AC		not recommended		N/A

COLT AR15, M16 Rifles, .223

FE	680	L36,U08,A15,M26,DL223AC	580	L72,U08,A15,M26,DL223AC	480	L72,U08,A16,M26,DL223AC,L36
PG	6801	L36,U24,A15,M26,DL223AC	5801	L72,U24,A15,M26,DL223AC	4801	L72,U08,A16,M26,DL223AC,L36
BOTH	6802	L36,U0824,A15,M26,DL223AC	5802	L72,U0824,A15,M26,DL223AC	4802	L72,U0824,A16,M26,DL223AC,L36

FN/FAL LAR HB5041, 42, PARA5064, FNC, Rifles, .223

FE	665	L60,U06,M10,M14,DL223AC	565	L72,U06,M10,M14,A12,DL223AC	465	L72,A12,U06,M10,M14,DL223AC,L60,U06,M10,M12,DL223AC
PG	6651	L60,U22,M10,M14,DL223AC	5651	L72,U22,M10,M14,A12,DL223AC	4651	L72,A12,U06,M10,M14,DL223AC,L60,U22,M10,M12,DL223AC
BOTH	6652	L60,U0622,M10,M14,DL223AC	5652	L72,U0622,M10,M14,A12,DL223AC	4652	L72,A12,U06,M10,M14,DL223AC,L60,U0622,M10,M12,DL223AC

GALIL AR Rifle, .223

FE	666	L60,U04,M10,M14,DL223AC	566	L72,U04,M10,M14,A12,DL223AC	466	L72,U04,M10,M14,A12,DL223AC,L60,U03,M10,M14,DL223AC
PG	6661	L60,U20,M10,M14,DL223AC	5661	L72,U20,M10,M14,A12,DL223AC	4661	L72,U04,M10,M14,A12,DL223AC,L60,U19,M10,M14,DL223AC
BOTH	6662	L60,U0420,M10,M14,DL223AC	5662	L72,U0420,M10,M14,A12,DL223AC	4662	L72,U04,M10,M14,A12,DL223AC,L60,U0319,M10,M14,DL223AC

Complete Systems by Weapon

		Six Volt Tactical Light Systems			Visible Laser Sight Systems			Dual Six Volt Tactical Light, Laser Sight Systems
Switch	Model	Components	Model	Components	Model	Components		

GLOCK 17, 19, 22, 23 Pistols, 9mm, .40 S&W

PG	644	L60,H44,DL223AC	544	L72,H44,A12,DL223AC			N/A
----	-----	-----------------	-----	---------------------	--	--	-----

GLOCK 20 & 21 Pistols, 10 mm, .45 ACP

PG	645	L60,H45,DL223AC	545	L72,H45,A12,DL223AC			N/A
----	-----	-----------------	-----	---------------------	--	--	-----

HECKLER & KOCH P7 Pistol, 9mm

PG	638	L60,H38,DL223AC	538	L72,H38,A12,DL223AC			N/A
----	-----	-----------------	-----	---------------------	--	--	-----

HECKLER & KOCH SP89 Pistol, 9mm

FE	667	L36,A12,U02,M21,DL223AC		not recommended			N/A
PG	6671	L36,A12,U11,M21,DL223AC		not recommended			N/A
BOTH	6672	L36,A12,U0211,M21,DL223AC		not recommended			N/A

HECKLER & KOCH SP89 Pistol, 9mm

FE	682	L36,U02,M24,A15,DL223AC	582	L72,U02,M24,A15,DL223AC	482	L72,U02,M24,A16,DL223AC,L36
PG	6821	L36,U10,M24,A15,DL223AC	5821	L72,U10,M24,A15,DL223AC	4821	L72,U10,M24,A16,DL223AC,L36
BOTH	6822	L36,U0210,M24,A15,DL223AC	5822	L72,U0210,M24,A15,DL223AC	4822	L72,U0210,M24,A16,DL223AC,L36

HECKLER & KOCH MP5K, MP5K-PDW (with or without suppressor), 9mm

FE	687	L36,A12,U04,M21,DL223AC		not recommended			N/A
PG	6871	L36,A12,U11,M21,DL223AC		not recommended			N/A
BOTH	6872	L36,A12,U0411,M21,DL223AC		not recommended			N/A

HECKLER & KOCH MP5K, MP5K-PDW (without suppressor), 9mm

FE	690	L36,U04,M22,A15,DL223AC	590	L72,U04,M22,A15,DL223AC	490	L72,U04,M22,A16,DL223AC,L36
PG	6901	L36,U10,M22,A15,DL223AC	5901	L72,U10,M22,A15,DL223AC	4901	L72,U10,M22,A16,DL223AC,L36
BOTH	6902	L36,U0410,M22,A15,DL223AC	5902	L72,U0410,M22,A15,DL223AC	4902	L72,U0410,M22,A16,DL223AC,L36

HECKLER & KOCH MP5K-PDW (with suppressor), 9mm

FE	691	L36,U04,M24,A15,DL223AC	591	L72,U04,M24,A15,DL223AC	491	L72,U04,M24,A16,DL223AC,L36
PG	6911	L36,U10,M24,A15,DL223AC	5911	L72,U10,M24,A15,DL223AC	4911	L72,U10,M24,A16,DL223AC,L36
BOTH	6912	L36,U0410,M24,A15,DL223AC	5912	L72,U0410,M24,A15,DL223AC	4912	L72,U0410,M24,A16,DL223AC,L36

HECKLER & KOCH MP5K, MP5K-PDW (with or without suppressor), 9mm

FE	668	L36,A12,U04,M10,M18,DL223AC		not recommended			N/A
PG	6681	L36,A12,U10,M10,M18,DL223AC		not recommended			N/A
BOTH	6682	L36,A12,U0410,M10,M18,DL223AC		not recommended			N/A

HECKLER & KOCH MP5, MP5N, HK94, 9mm

FE	628	L60,H28,DL223AC	528	L72,H28,A12,DL223AC	428	L72,U04,M22,A15,DL223AC,H28,L60,DL223AC
BOTH	629	L60,H29,DL223AC	529	L72,H29,A12,DL223AC	429	L72,U04,M22,A15,DL223AC,H29,L60,DL223AC

HECKLER & KOCH MP5, MP5N, HK94, MP5 WITH MK25 Suppressor, MP5N with Navy Suppressor, 9mm

FE	692	L60,U03,M21,DL223AC		not recommended			N/A
PG	6921	L60,U14,M21,DL223AC		not recommended			N/A
BOTH	6922	L60,U0314,M21,DL223AC		not recommended			N/A

HECKLER & KOCH MP5, MP5N, HK94, 9mm

FE	693	L36,U04,M22,A15,DL223AC	593	L72,U04,M22,A15,DL223AC	493	L72,U04,M22,A16,DL223AC,L36
PG	6931	L36,U12,M22,A15,DL223AC	5931	L72,U12,M22,A15,DL223AC	4931	L72,U12,M22,A16,DL223AC,L36
BOTH	6932	L36,U0412,M22,A15,DL223AC	5932	L72,U0412,M22,A15,DL223AC	4932	L72,U0412,M22,A16,DL223AC,L36

Complete Systems by Weapon

		Six Volt Tactical Light Systems	Visible Laser Sight Systems		Dual Six Volt Tactical Light, Laser Sight Systems	
Switch	Model	Components	Model	Components	Model	Components

HECKLER & KOCH MP5N with Navy Suppressor, 9mm

FE	694	L36,U04,M24,A15,DL223AC	594	L72,U04,M24,A15,DL223AC	494	L72,U04,M24,A16,DL223AC,L36
PG	6941	L36,U12,M24,A15,DL223AC	5941	L72,U12,M24,A15,DL223AC	4941	L72,U12,M24,A16,DL223AC,L36
BOTH	6942	L36,U0412,M24,A15,DL223AC	5942	L72,U0412,M24,A15,DL223AC	4942	L72,U0412,M24,A16,DL223AC,L36

HECKLER & KOCH MP5 with MK25 Suppressor, 9mm

FE	695	L36,U04,M30,A15,DL223AC	595	L72,U04,M30,A15,DL223AC	495	L72,U04,M30,A16,DL223AC,L36
PG	6951	L36,U12,M30,A15,DL223AC	5951	L72,U12,M30,A15,DL223AC	4951	L72,U12,M30,A16,DL223AC,L36
BOTH	6952	L36,U0412,M30,A15,DL223AC	5952	L72,U0412,M30,A15,DL223AC	4952	L72,U0412,M30,A16,DL223AC,L36

HECKLER & KOCH MP5SD, MP5N with Navy Suppressor, 9mm

FE	669	L60,U04,M13,DL223AC	569	L72,U04,M13,A12,DL223AC	469	L72,U04,M13,A12,DL223AC,L60,U06,M13,DL223AC
PG	6691	L60,U14,M13,DL223AC	5691	L72,U14,M13,A12,DL223AC	4691	L72,U04,M13,A12,DL223AC,L60,U16,M13,DL223AC
BOTH	6692	L60,U0414,M13,DL223AC	5692	L72,U0414,M13,A12,DL223AC	4692	L72,U04,M13,A12,DL223AC,L60,U0616,M13,DL223AC

HECKLER & KOCH MP5SD, 9mm

FE	696	L60,U04,M23,DL223AC	596	L72,U04,M23,A12,DL223AC	496	L72,U04,M23,A12,DL223AC,L60,U06,M23,DL223AC
PG	6961	L60,U14,M23,DL223AC	5961	L72,U14,M23,A12,DL223AC	4961	L72,U04,M23,A12,DL223AC,L60,U16,M23,DL223AC
BOTH	6962	L60,U0414,M23,DL223AC	5962	L72,U0414,M23,A12,DL223AC	4962	L72,U04,M23,A12,DL223AC,L60,U0616,M23,DL223AC

HECKLER & KOCH HK53 Rifle, .223

FE	628	L60,H28,DL223AC	528	L72,H28,A12,DL223AC	428	L72,U04,M22,A15,DL223AC,H28,L60,DL223AC
BOTH	631	L60,H31,DL223AC	531	L72,H31,A12,DL223AC	431	L72,U04,M22,A15,DL223AC,H31,L60,DL223AC

HECKLER & KOCH HK53 Rifle, .223

FE	670	L60,U04,M21,DL223AC		not recommended		N/A
PG	6701	L60,U16,M21,DL223AC		not recommended		N/A
BOTH	6702	L60,U0416,M21,DL223AC		not recommended		N/A

HECKLER & KOCH HK53 Rifle, .223

FE	697	L36,U04,M22,A15,DL223AC	597	L72,U04,M22,A15,DL223AC	497	L72,U04,M22,A16,DL223AC,L36
PG	6971	L36,U14,M22,A15,DL223AC	5971	L72,U14,M22,A15,DL223AC	4971	L72,U14,M22,A16,DL223AC,L36
BOTH	6972	L36,U0414,M22,A15,DL223AC	5972	L72,U0414,M22,A15,DL223AC	4972	L72,U0414,M22,A16,DL223AC,L36

HECKLER & KOCH HK33 & HK93 Rifles, .308, .223

FE	671	L60,U06,M21,DL223AC		not recommended		N/A
PG	6711	L60,U21,M21,DL223AC		not recommended		N/A
BOTH	6712	L60,U0621,M21,DL223AC		not recommended		N/A

HECKLER & KOCH HK33 & HK93 Rifles, .308, .223

FE	698	L36,U04,M22,A15,DL223AC	598	L72,U04,M22,A15,DL223AC	498	L72,U04,M22,A16,DL223AC,L36
PG	6981	L36,U19,M22,A15,DL223AC	5981	L72,U19,M22,A15,DL223AC	4981	L72,U19,M22,A16,DL223AC,L36
BOTH	6982	L36,U0419,M22,A15,DL223AC	5982	L72,U0419,M22,A15,DL223AC	4982	L72,U0419,M22,A16,DL223AC,L36

HECKLER & KOCH G3 & HK91 Rifles, .308

FE	672	L60,U09,M21,DL223AC		not recommended		N/A
PG	6721	L60,U24,M21,DL223AC		not recommended		N/A
BOTH	6722	L60,U0924,M21,DL223AC		not recommended		N/A

HECKLER & KOCH G3 & HK91 Rifles, .308

FE	699	L36,U07,M22,A15,DL223AC	599	L72,U07,M22,A15,DL223AC	499	L72,U07,M22,A16,DL223AC,L36
PG	6991	L36,U22,M22,A15,DL223AC	5991	L72,U22,M22,A15,DL223AC	4991	L72,U22,M22,A16,DL223AC,L36
BOTH	6992	L36,U0722,M22,A15,DL223AC	5992	L72,U0722,M22,A15,DL223AC	4992	L72,U0722,M22,A16,DL223AC,L36

Complete Systems by Weapon

Switch	Model	Six Volt Tactical Light Systems Components	Model	Visible Laser Sight Systems Components	Model	Dual Six Volt Tactical Light, Laser Sight Systems Components
--------	-------	---	-------	---	-------	---

HECKLER & KOCH P7 Pistol, 9mm

FE	638	L60,H38,DL223AC	538	L72,H38,A12,DL223AC		N/A
----	-----	-----------------	-----	---------------------	--	-----

HECKLER & KOCH USP40 & USP45 Pistols, .40 S&W, .45 ACP

FE	609R	L60,H09R,DL223AC	509R	L72,H09R,A12,DL223AC		N/A
----	------	------------------	------	----------------------	--	-----

ITHACA 37, 87 Shotguns, 12ga

FE	624	L60,H24,DL223AC	524	L72,H24,A12,DL223AC	424	L72,A12,H24,DL223AC,L60,U07,M10,M12,DL223AC
----	-----	-----------------	-----	---------------------	-----	---

MOSSBERG 500 Shotgun, 14' barrel, 12ga

FE	621	L60,H21,DL223AC	521	L72,H21,A12,DL223AC	421	L72,A12,H21,DL223AC,L60,U07,M10,M12,DL223AC
----	-----	-----------------	-----	---------------------	-----	---

MOSSBERG 500 Shotgun, 12ga

FE	622	L60,H22,DL223AC	522	L72,H22,A12,DL223AC	422	L72,A12,H22,DL223AC,L60,U07,M10,M12,DL223AC
----	-----	-----------------	-----	---------------------	-----	---

MOSSBERG 590 Shotgun, 12ga (Requires removal of bayonet lug to use)

FE	623	L60,H23,DL223AC	523	L72,H23,A12,DL223AC	423	L72,A12,H23,DL223AC,L60,U07,M10,M12,DL223AC
----	-----	-----------------	-----	---------------------	-----	---

MOSSBERG 3000, SMITH & WESSON 3000 Shotguns, 12ga

FE	626	L60,H26,DL223AC	526	L72,H26,A12,DL223AC	426	L72,A12,H26,DL223AC,L60,U07,M10,M12,DL223AC
----	-----	-----------------	-----	---------------------	-----	---

PARA-ORDNANCE, .45 cal

PG	607	L60,H07,DL223AC	507	L72,H07,A12,DL223AC		N/A
----	-----	-----------------	-----	---------------------	--	-----

REMINGTON 870 Shotgun, 12ga

FE	618	L60,H18,DL223AC	518	L72,H18,A12,DL223AC	418	L72,A12,H18,DL223AC,L60,U07,M10,M12,DL223AC
----	-----	-----------------	-----	---------------------	-----	---

REMINGTON 1100, 1187 Shotguns, 12ga

FE	675	L60,U05,M19,DL223AC	575	L72,U05,M19,A12,DL223AC	475	L72,A12,U05,M19,DL223AC,L60,U07,M10,M12,DL223AC
----	-----	---------------------	-----	-------------------------	-----	---

RUGER MINI-14, 14GB, MINI 30, Rifles, .223, 7.62X39

FE	677	L60,U05,M10,M14,DL223AC	577	L72,U05,M10,M14,A12,DL223AC	477	L72,U05,M10,M14,A12,DL223AC,L60,U07,M10,M14,DL223AC
PG	6771	L60,U19,M10,M14,DL223AC	5771	L72,U19,M10,M14,A12,DL223AC	4771	L72,U05,M10,M14,A12,DL223AC,L60,U21,M10,M14,DL223AC
BOTH	6772	L60,U0519,M10,M14,DL223AC	5772	L72,U0519,M10,M14,A12,DL223AC	4772	L72,U05,M10,M14,A12,DL223AC,L60,U0721,M10,M14,DL223AC

SIG-SAUER P220 Pistol, .45 ACP

PG	614	L60,H14,DL223AC	514	L72,H14,A12,DL223AC		N/A
----	-----	-----------------	-----	---------------------	--	-----

SIG-SAUER P225 Pistol, 9mm

PG	642	L60,H42,DL223AC	542	L72,H42,A12,DL223AC		N/A
----	-----	-----------------	-----	---------------------	--	-----

SIG-SAUER P226 Pistol, 9mm

PG	632	L60,H32,DL223AC	532	L72,H32,A12,DL223AC		N/A
----	-----	-----------------	-----	---------------------	--	-----

SIG-SAUER P228 & P229 Pistols, 9mm

PG	640	L60,H40,DL223AC	540	L72,H40,A12,DL223AC		N/A
----	-----	-----------------	-----	---------------------	--	-----

SMITH & WESSON 59 Series, 69 Series, & Models 659 & 669 Pistols with round trigger guards, 9mm

PG	601	L60,H01,DL223AC	501	L72,H01,A12,DL223AC		N/A
----	-----	-----------------	-----	---------------------	--	-----

Complete Systems by Weapon

		Six Volt Tactical Light Systems	Visible Laser Sight Systems		Dual Six Volt Tactical Light, Laser Sight Systems	
Switch	Model	Components	Model	Components	Model	Components

SMITH & WESSON 59 & 69 Series Pistols with square trigger guards, 9mm

PG	634	L60,H34,DL223AC	534	L72,H34,A12,DL223AC		N/A
----	-----	-----------------	-----	---------------------	--	-----

SMITH & WESSON 10 Series Pistols with square trigger guards, 10mm

PG	602	L60,H02,DL223AC	502	L72,H02,A12,DL223AC		N/A
----	-----	-----------------	-----	---------------------	--	-----

SMITH & WESSON 10 & 45 Series Pistols with round trigger guards, 10mm, .45

PG	603	L60,H03,DL223AC	503	L72,H03,A12,DL223AC		N/A
----	-----	-----------------	-----	---------------------	--	-----

SMITH & WESSON 40 Series Pistols with square trigger guards, .40

PG	604	L60,H04,DL223AC	504	L72,H04,A12,DL223AC		N/A
----	-----	-----------------	-----	---------------------	--	-----

SMITH & WESSON 40 Series Pistols with round trigger guards, .40

PG	605	L60,H05,DL223AC	505	L72,H05,A12,DL223AC		N/A
----	-----	-----------------	-----	---------------------	--	-----

SMITH & WESSON SIGMA Pistol, 9mm

PG	608R	L60,H08R,DL223AC	508R	L72,H08R,A12,DL223AC		N/A
----	------	------------------	------	----------------------	--	-----

SPRINGFIELD M1A Rifle, .308

FE	681	L60,U10,M10,M14,DL223AC	581	L72,U10,M10,M14,A12,DL223AC	481	L72,U10,M10,M14,A12,DL223AC,L60,U12,M10,M14,DL223AC
----	-----	-------------------------	-----	-----------------------------	-----	---

STEYR AUG Rifle, .223

FE	673	L60,U08,M27,DL223AC		not recommended		N/A
PG	6731	L60,U12,M27,DL223AC		not recommended		N/A
BOTH	6732	L60,U0812,M27,DL223AC		not recommended		N/A

STEYR AUG Rifle, .223

FE	683	L36,U10,M28,A15,DL223AC	583	L72,U10,M28,A15,DL223AC	483	L72,U10,M28,A16,DL223AC,L36
PG	6831	L36,U10,M28,A15,DL223AC	5831	L72,U10,M28,A15,DL223AC	4831	L72,U10,M28,A16,DL223AC,L36
BOTH	6832	L36,U1010,M28,A15,DL223AC	5832	L72,U1010,M28,A15,DL223AC	4832	L72,U1010,M28,A16,DL223AC,L36

UZI Carbine, 9mm

FE	684	L60,U03,M10,M14,DL223AC	584	L72,U03,M10,M14,A12,DL223AC	484	L72,U03,M10,M14,A12,DL223AC,L60,U05,M10,M14,DL223AC
PG	6841	L60,U09,M10,M14,DL223AC	5841	L72,U09,M10,M14,A12,DL223AC	4841	L72,U03,M10,M14,A12,DL223AC,L60,U11,M10,M14,DL223AC
BOTH	6842	L60,U0309,M10,M14,DL223AC	5842	L72,U0309,M10,M14,A12,DL223AC	4842	L72,U03,M10,M14,A12,DL223AC,L60,U0511,M10,M14,DL223AC

UZI SMG, Carbine, 9mm

FE	657	L36,U03,M32,A15,DL223AC	557	L72,U03,M32,A15,DL223AC	457	L72,U03,M32,A16,DL223AC,L36
PG	6571	L36,U08,M32,A15,DL223AC	5571	L72,U08,M32,A15,DL223AC	4571	L72,U08,M32,A16,DL223AC,L36
BOTH	6572	L36,U0308,M32,A15,DL223AC	5572	L72,U0308,M32,A15,DL223AC	4572	L72,U0308,M32,A16,DL223AC,L36

WINCHESTER DEFENDER Shotgun, long magazine tube, 12ga

FE	636	L60,H36,DL223AC	536	L72,H36,A12,DL223AC	436	L72,A12,H36,DL223AC,L60,U07,M10,M12,DL223AC
----	-----	-----------------	-----	---------------------	-----	---

WINCHESTER DEFENDER Shotgun, short magazine tube, 12ga

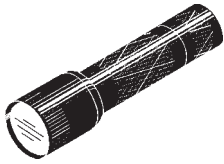
FE	635	L60,H35,DL223AC	535	L72,H35,A12,DL223AC	435	L72,A12,H35,DL223AC,L60,U07,M10,M12,DL223AC
----	-----	-----------------	-----	---------------------	-----	---

WINCHESTER 1400 Shotgun, 12ga

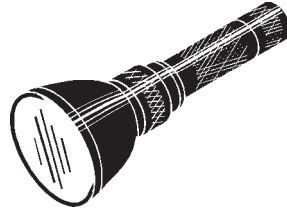
FE	686	L60,U05,M19,DL223AC	586	L72,U05,M19,A12,DL223AC	486	L72,A12,U05,M19,DL223AC,L60,U07,M10,M12,DL223AC
----	-----	---------------------	-----	-------------------------	-----	---

Handheld and Special Lights

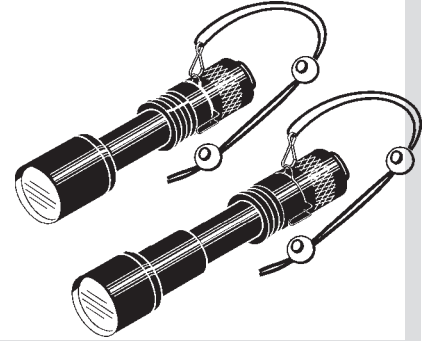
6P Lithium



6PT Lithium TurboHead
Extended Range



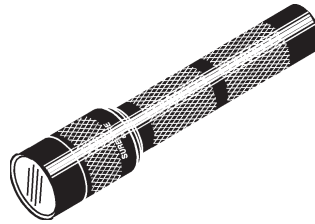
6Z, 9Z Lithium CombatLights



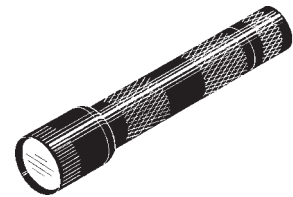
6R Rechargeable Ni-Cd
7Z Rechargeable Ni-Cd
CombatLight



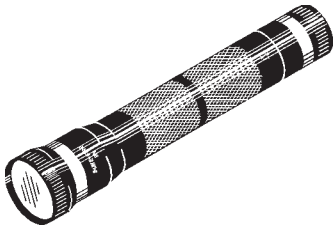
8X Rechargeable Ni-Cd



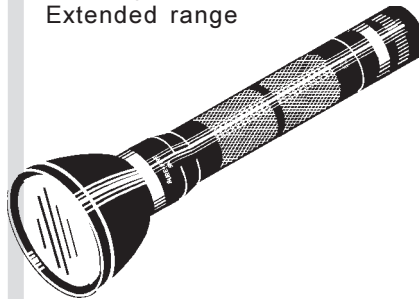
9P Lithium



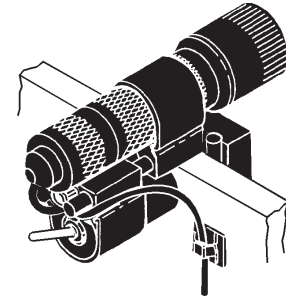
9N Dual Lamp
Rechargeable Ni-Cd



9NT Turbohead
Rechargeable Ni-Cd
Extended range



Shield Lights



The complete line of SURE-FIRE Lithium and Rechargeable (Ni-Cd) Battery powered Flashlights, Shield Lights and Baton Lights for Law Enforcement.

Baton Lights



J o i n
T E A M

SUREFIRE®
by LASER PRODUCTS

LASER PRODUCTS
18300 MT. BALDY CIRCLE
FOUNTAIN VALLEY, CA 92708