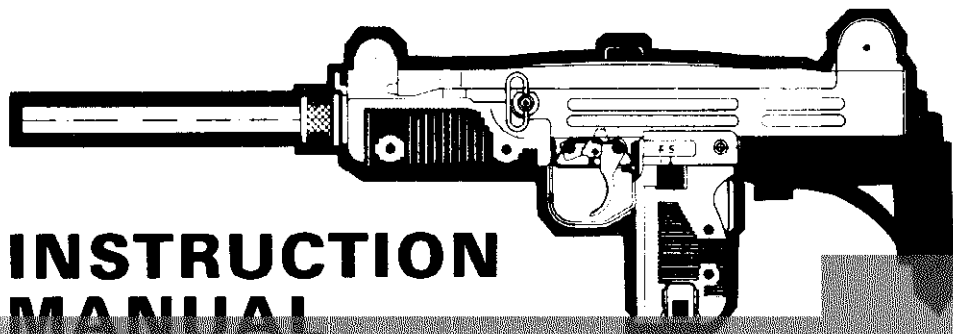


UZI 9 mm



**INSTRUCTION
MANUAL**

ISRAEL MILITARY INDUSTRIES



WARNING!

IT IS DANGEROUS TO ALTER OR MODIFY THIS FIREARM IN ANY WAY. ANY ALTERATION OR MODIFICATION OF THE FIRING MECHANISM MAY RESULT IN THIS FIREARM BECOMING UNSAFE. ANY ATTEMPT TO ALTER OR MODIFY THIS FIREARM IS ILLEGAL AND WILL NULLIFY ALL WARRANTIES AND WILL BE SUBJECT TO IMMEDIATE NOTIFICATION TO THE UNITED STATES BUREAU OF ALCOHOL, TOBACCO AND FIREARMS.

PLEASE READ ENTIRE MANUAL BEFORE HANDLING & OPERATING THIS FIREARM FOR THE FIRST TIME.

TABLE OF CONTENTS

	Page
SAFETY PRECAUTIONS	5
SPECIFICATIONS	6
FACTS ABOUT YOUR UZI	8
DISASSEMBLY AND ASSEMBLY	14
Barrel	14
Bolt and Cover Assemblies	15
Magazine	19
OPERATING INSTRUCTIONS	21
Stock	21
Magazine	24
Loading and Unloading	25
Precautions before Firing	28
Aiming and Firing	28

CARE AND CLEANING	30
Initial	30
Periodic	31
Before and after Firing	32
Additional Disassembly	33
 IMMEDIATE ACTION AND TROUBLE SHOOTING	 38
 WARRANTY	 43

SAFETY PRECAUTIONS

Make sure that the gun is unloaded whenever:

- Receiving or handing over a gun.
- Transporting the gun.
- Before cleaning or dismantling.

Always remove the magazine immediately after firing and make sure that the chamber is empty.

Make sure that the fire selector is on "S" (Safe) position to guarantee that the gun is safe whenever:

- You have stopped firing it.
- The gun is being transported or moved.
- The gun is not in use.

When handling the gun:

- Never point it at a person.
- Always make sure that the barrel points in a safe direction.

Never load a gun until you are ready to use it. Practice handling the gun empty before attempting to fire. (The UZI may be dry fired without harm to the gun). Whenever the short (display) barrel is installed:

- Never insert a loaded magazine.
- Never attempt to fire the gun.

Use only clean, dry, original high quality commercially manufactured 9 mm ammunition in good condition. Never handle ammunition with oily fingers.

**REMEMBER: ALWAYS ASSUME THAT
THE GUN IS LOADED**

SPECIFICATIONS

WEIGHT

Gun, empty	3.8 kg (8.4 lb)
Gun, fully loaded	4.3 kg (9.5 lb)
Magazine, empty	200 g (0.45 lb)
Magazine, 25 rounds, full	500 g (1.1 lb)

LENGTH

Overall, metal stock extended	800 mm (31.5 in)
Overall, metal stock folded	610 mm (24.0 in)

MECHANICAL FEATURES

Method of operation and breech closure	Blowback firing from closed bolt with floating firing pin
Method of feeding	Magazine
Ejection	Through port at right side

BARREL

Length	410 mm (16.1 in)
Rifling	R.H. 4 grooves, 1 turn in 254 mm (10 in)

AMMUNITION

Caliber Type	9 mm Parabellum Ball & Hollow Point
-----------------	--

FIRING CHARACTERISTICS

Muzzle Velocity*	380-460 m/sec (1250-1500 ft/sec)
Maximum Range	up to 2000 m (2200 yds) at 30° upward

SIGHTS

Sight Radius	309 mm (12.2 in)
Front Sight	Post type
Rear Sight	Aperture "L" flip type for 100 and 200 m (330 and 660 ft)

SAFETIES

Fire Selector	Safe and semi-automatic
Safety Grip	Blocks sear and breech

*Depending upon type of ammunition used.

FACTS ABOUT YOUR UZI SEMI-AUTOMATIC CARBINE

The UZI Semi-Automatic Carbine is a lightweight, magazine-fed firearm with a stock for shoulder firing. It is blowback operated and fires from a closed breech with a floating firing pin.

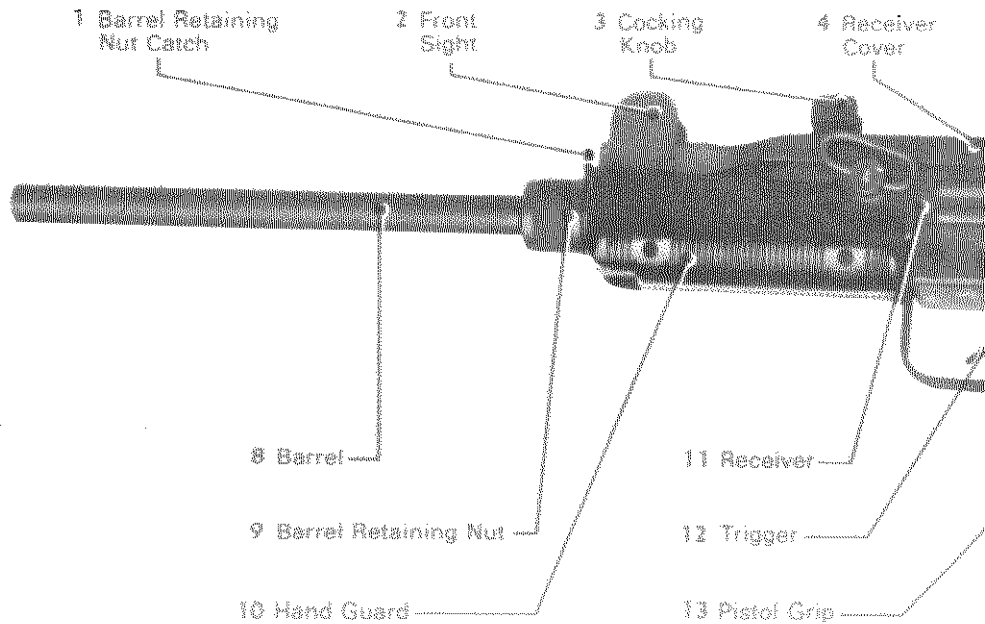


UZI with metal stock — left hand view.

A brief description of the UZI Semi-Automatic follows:

Refer to illustration.(see page 10)

- The barrel (8) is attached to the receiver (11) by the barrel retaining nut (9).
- The barrel retaining nut catch (1) is on the front end of the receiver (11)
- The front (2) and rear sights (6) and their guards are located on the front and rear top ends of the receiver.
- The plastic hand guard (10) is attached to the front end of the receiver. The front carrying sling swivel is located on the receiver at the left top side of the hand guard.
- The receiver cover (4), with cocking knob (3), is located on top of the receiver.
- The bolt and striker assembly travel inside the receiver (11).
- The bolt and striker assembly each accomodate their return spring.
- The pistol grip (13) is attached to the center lower part of the receiver (11).
- The fire selector (14) is located at the top of the left side of the pistol grip (13).
- The magazine catch (16) is located on the lower left side of the pistol grip (13).
- The trigger (12) and its guard are located in front of the pistol grip (13).
- The safety grip (15) is located at the rear upper part of the pistol grip (13).
- The stock (7) is attached to the rear end of the receiver (11). The rear carrying sling swivel is attached to the stock (7).



**5 Receiver
Cover Catch**

**6 Rear
Sight**

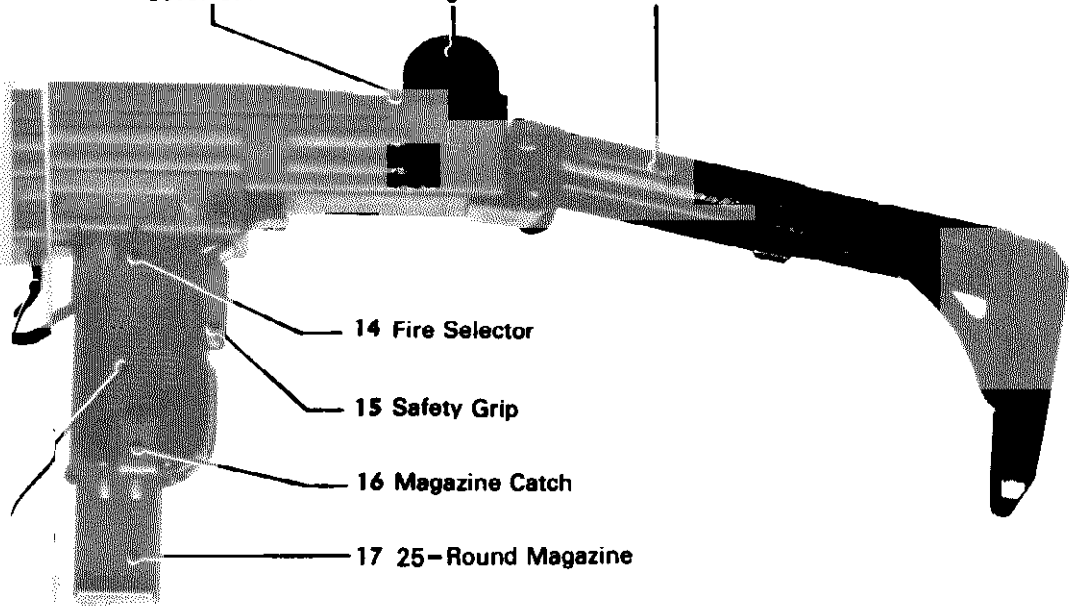
**7 Folding
Stock**

14 Fire Selector

15 Safety Grip

16 Magazine Catch

17 25-Round Magazine

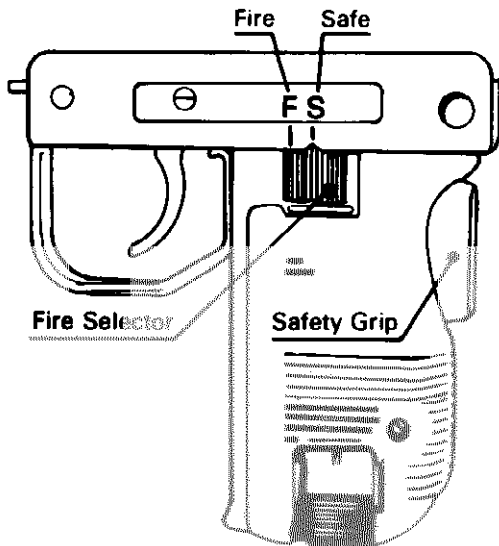


SAFETIES

The UZI Semi-Automatic has two safeties:

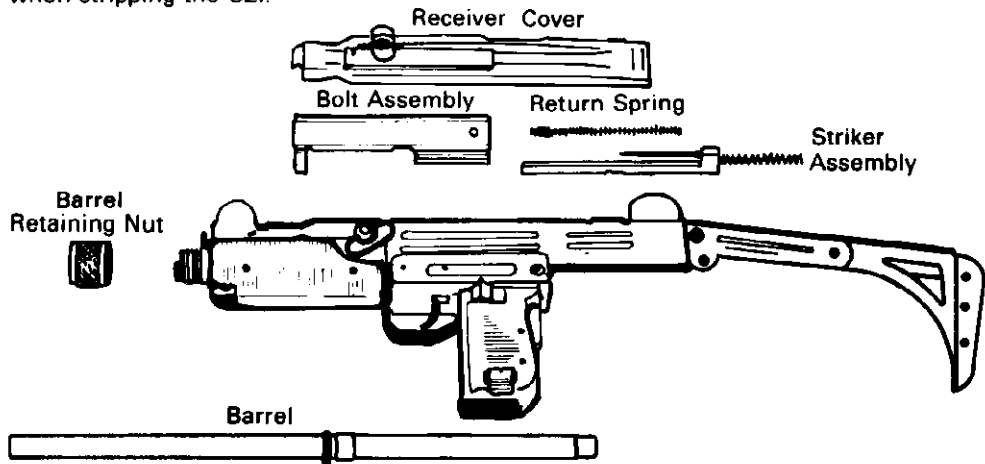
- Fire Selector
- Safety Grip

These safeties are independent of each other and minimize the possibility of accidental firing when in the safe position.



STRIPPING

Servicing of the UZI is simple:
only SEVEN parts need to be handled
when stripping. No tools are required
when stripping the UZI.



DISASSEMBLY AND ASSEMBLY

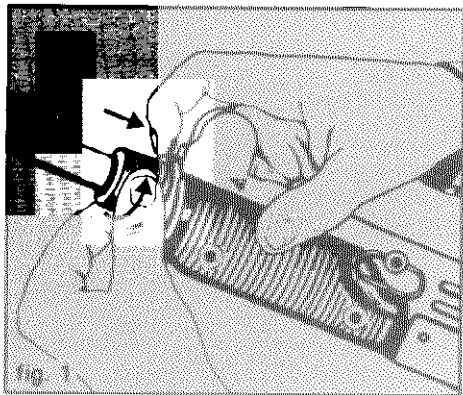
GENERAL

1. This chapter deals with those disassembling and assembling operations which the user may perform for routine maintenance of the gun.
Dismantling or assembling of any other part is not recommended and will void all warranties.
2. Dismantling operation must be carried out on a clean surface and dismantled parts should be placed in order of their removal.

WARNING: Carry out the following operations before dismantling:
Remove magazine. Clear the gun several times to make sure there is no live cartridge in the chamber. (see page 27)

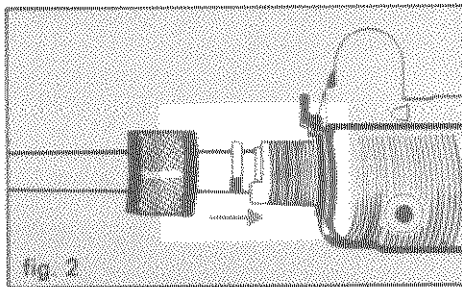
REMOVING THE BARREL

1. Depress barrel retaining nut catch. (fig. 1)
2. Unscrew barrel retaining nut counter-clockwise. (looking from the front)
3. Pull out barrel.



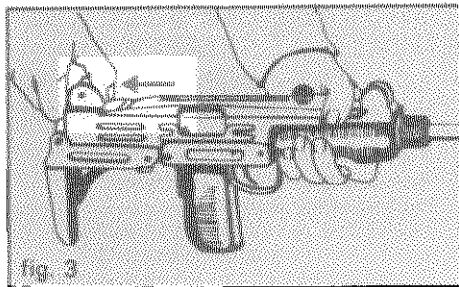
INSTALLING THE BARREL

1. Insert barrel into place. Make sure that the FLATS on the barrel line up with the FLATS on the barrel housing protrusion. (fig. 2)
2. Depress barrel retaining nut catch.
3. Hand tighten barrel retaining nut until fully seated.
4. Release catch.
5. Hand tighten again to insure that nut is fully seated.



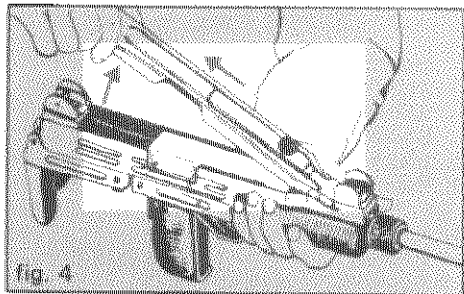
REMOVING RECEIVER COVER

1. Hold down rear of receiver cover.
2. Depress cover catch. (fig. 3)



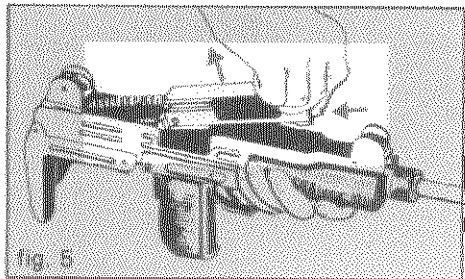
cont.▶

3. Remove cover by lifting upward and rearward. (fig. 4)



REMOVING THE BOLT AND STRIKER ASSEMBLY

1. Lift the bolt up about 1", press backward about $\frac{1}{2}$ " and lift bolt and striker assembly out and forward. (fig. 5)
 2. Remove the striker assembly by pulling rearward.
- NOTE:** Do not remove the spring attached to the striker assembly.
3. Remove bolt return spring assembly.

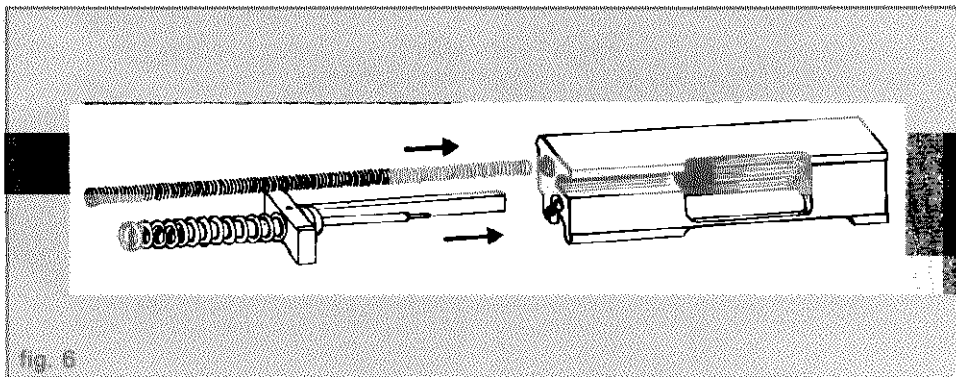


ASSEMBLING THE BOLT AND THE STRIKER ASSEMBLY

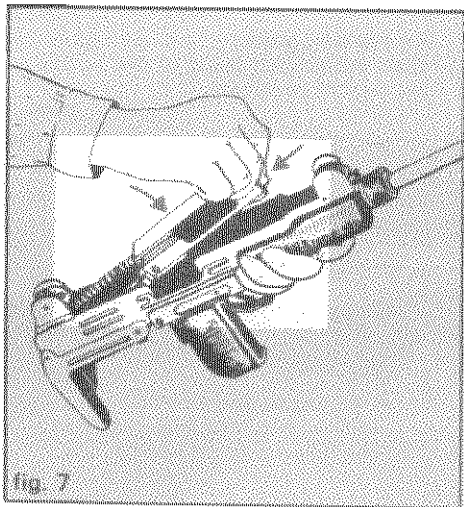
1. Insert striker assembly and the bolt return spring assembly into bolt. (fig. 6)
2. Holding entire assembly (with striker

on bottom), guide return springs into their respective seats in the buffer (at rear of receiver).

cont. ▶

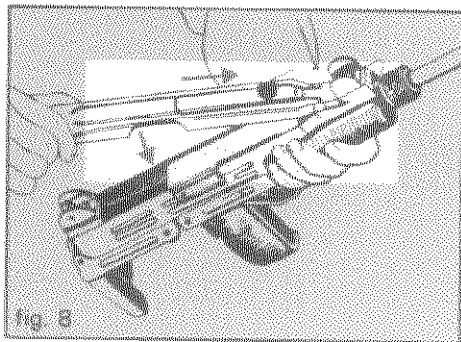


3. Pull bolt backward (about $\frac{1}{2}$ "') and lower it into receiver. (fig. 7)
NOTE: Do not force.



ASSEMBLING RECEIVER COVER

1. Insert front end of cover (narrow end) in recess under front sight. (fig. 8)
2. Lower rear end of cover until it rests on top of the latch.
3. Firmly press rear end of cover until catch snaps into place.
4. Check that catch is fully forward.



DISASSEMBLY AND ASSEMBLY OF THE MAGAZINE

DISASSEMBLING

WARNING: Magazine spring is under pressure and can fly out and cause injury if not held in place during assembly and disassembly. Do not point magazine base toward face or other person.

1. Before disassembling the magazine remove all cartridges.
2. Hold magazine with base facing upwards.
3. With the aid of a small pointed object, push base catch inward. (fig. 9)

cont. ▶

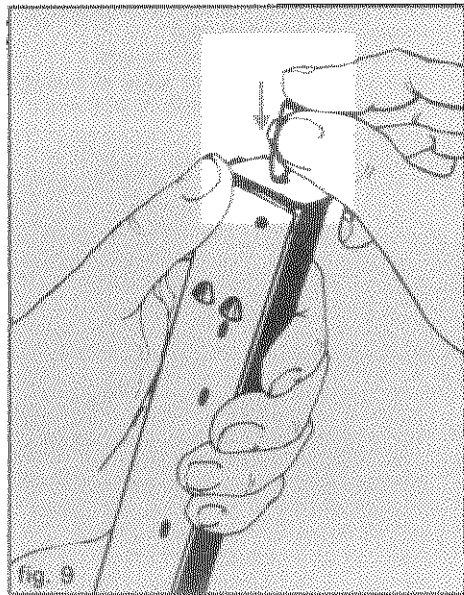
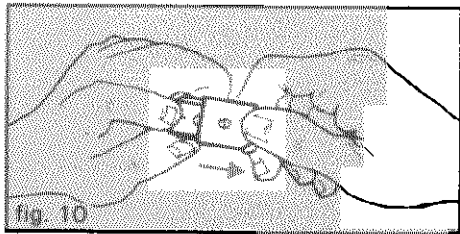
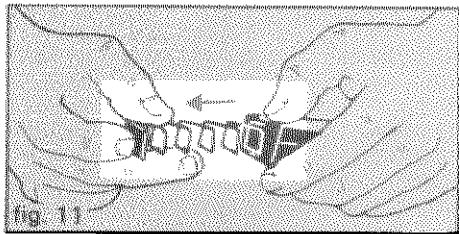


fig. 9

4. With catch depressed, carefully push magazine base forward approximately $\frac{1}{2}$ " (until catch protrusion is visible at edge of base).
5. Carefully holding spring in place with



- index finger, remove magazine base (with other hand). (fig. 10)
6. Using both hands, ease spring and follower out of housing. (fig. 11)



ASSEMBLING

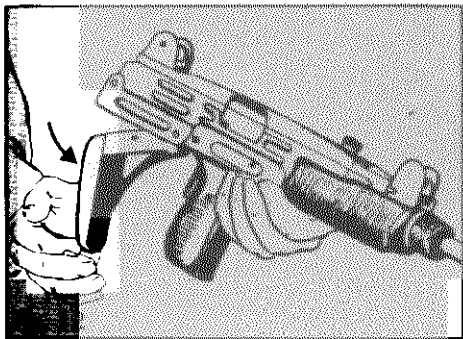
1. Hold magazine with lips downward, slots facing away from you.
2. Insert follower with legs up and long leg to your right, and drop into place. Do not force.
3. Hold spring vertical with catch up so that catch is higher on the right side.
4. Insert spring into housing.
5. Compress spring so that catch is slightly below housing bottom.
6. While holding spring with index finger, insert base with square edge facing magazine and push home until catch locks.

OPERATING INSTRUCTIONS

STOCK

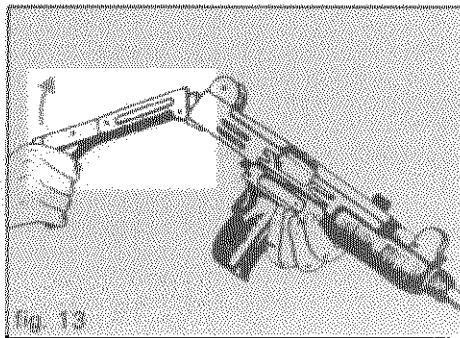
UNFOLDING

1. Grip gun in left hand, under trigger guard, barrel facing left.
2. Strike butt plate with palm of right hand in a downward and forward



direction. The butt will disengage from its catch. (fig. 12)

3. Grasp butt plate and pull rearward until stock locks. (fig. 13)



FOLDING

1. Grasp gun under hand guard.
2. Press right rear, side plate inward, adjacent to hinge pin and rotate rear section upward and forward. (fig. 14)
3. Press in locking button located adjacent to rear of receiver and rotate assembly downward and forward until assembly contacts underside of receiver. (fig. 15)
4. Rotate gun until pistol grip faces upward with hand in center of cover. Strike butt plate firmly downward with heel of hand snapping it into position. (fig. 16)

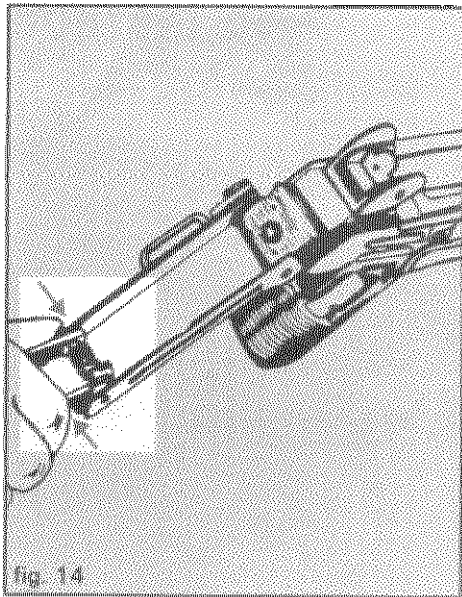
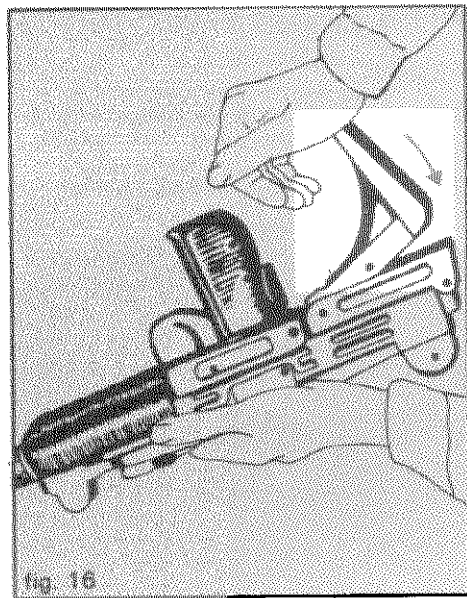
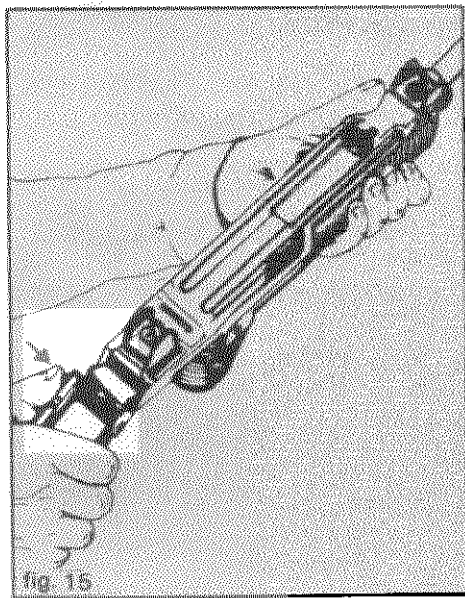


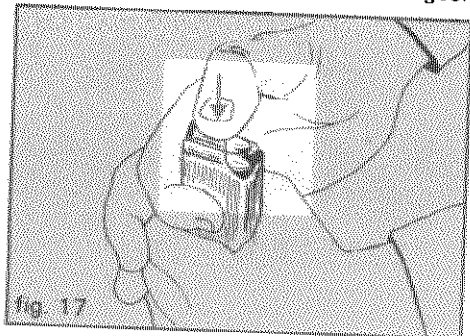
fig 14



FILLING AND EMPTYING THE MAGAZINE

FILLING

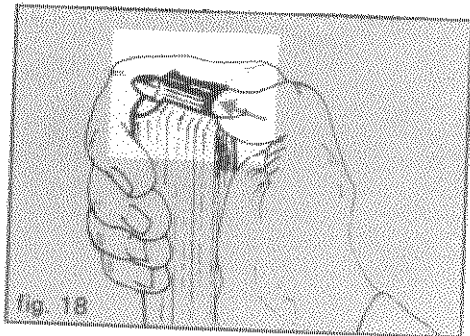
1. With magazine in upright position & slots facing you, place cartridge on follower with bullet facing left.
2. Press down until cartridge snaps under lip. (fig. 17)
3. Repeat until loaded.
4. Do not load more than 25 cartridges.



EMPTYING

1. Push out cartridge with thumb. (fig. 18)
2. Repeat until magazine is empty.

WARNING: USE IMI MAGAZINES ONLY.



LOADING THE UZI

INSERTING THE MAGAZINE

1. Clear the gun.(see page 27)
2. Set the fire selector on "S" (Safe). (fig. 19)
3. Grasp pistol grip with right hand, trigger finger outside of trigger guard.
4. Tilt the gun to the right, and insert the magazine into the pistol grip opening with your left hand. Push until magazine catch snaps into place. (fig. 20)

WARNING: Do not insert a loaded magazine when short (display) barrel is installed.

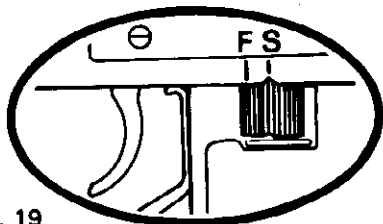


fig. 19

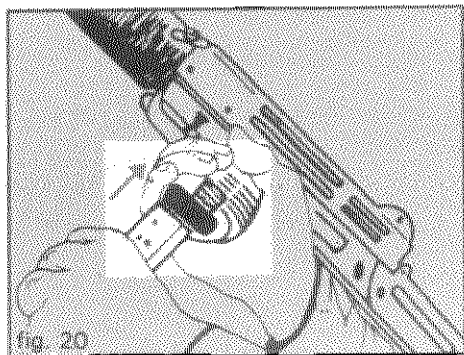


fig. 20

COCKING THE UZI

1. Never chamber a round until you are ready to fire.
2. Set fire selector to "F" (Fire).
3. Hold the gun by the pistol grip, with the trigger finger outside of trigger guard.
4. While fully depressing the safety grip, pull cocking knob all the way back and release knob instantly to allow bolt to snap forward. (fig. 21)
5. The gun is now cocked and ready to fire with a round chambered.
6. Move the fire selector to "S" (Safe). (fig. 22)

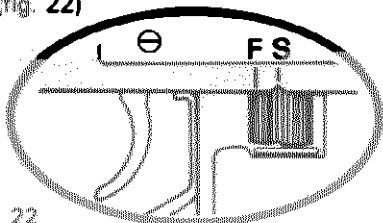


fig. 22

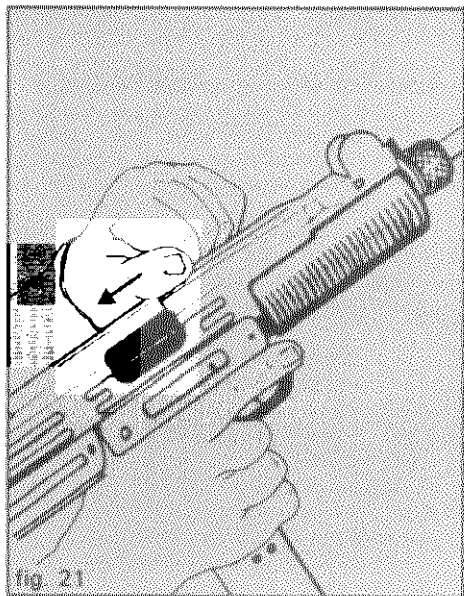


fig. 21

UNLOADING (CLEARING) THE UZI

1. Place fire selector on "S" (Safe). (fig. 23)
2. Depress magazine catch and remove magazine. (fig. 24)
3. Place fire selector on "F" (Fire) and cock bolt to remove live cartridge in chamber. (see page 26)
4. Holding bolt in the rear position look into chamber to assure that chamber is empty.
5. If chamber is not empty, release bolt and repeat steps 3 & 4. If after repeating twice, chamber is not empty, refer to Trouble Shooting.(see page 42)
6. With chamber empty, release bolt and squeeze trigger with barrel pointing in safe direction.
7. Place fire selector on "S" (Safe).
8. Empty Magazine.(see page 24)

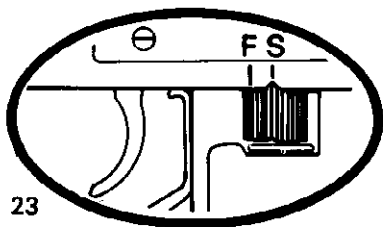


fig. 23

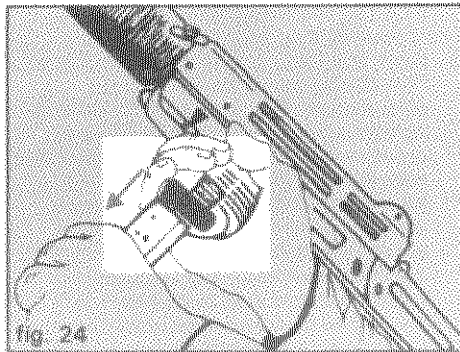


fig. 24

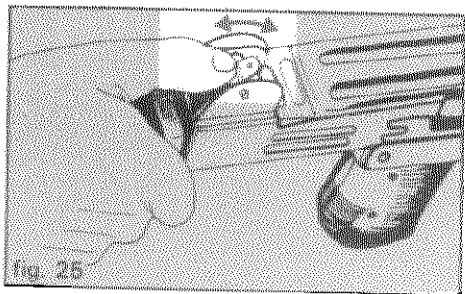
PRECAUTIONS BEFORE FIRING

1. Before firing ensure barrel is dry, clean, free of obstructions and gun is unloaded.
2. With fire selector on "F" (Fire), cock and dry fire at least twice to ensure that the mechanism is working smoothly and properly.
3. Cock the gun, return fire selector to "S" (Safe), point barrel in safe direction, squeeze trigger to ensure safety is working properly. Return selector to "F" (Fire) and dry fire. Set selector to "S" (Safe).
4. Never put your finger inside the trigger guard or squeeze trigger unless you are ready to fire. From the time that the magazine is inserted, until gun is cleared and clearance checked, keep gun pointed toward a safe direction.

5. Fire selector should always be on "S" (Safe) until you are ready to fire.
6. Check that magazines are clean and properly loaded.

AIMING AND FIRING

1. Unfold the stock.(see page 21)
2. After loading the gun as previously described, place rear sight at required range 100 or 200 m. (fig. 25)



3. Grasp the UZI with one hand on the pistol grip (trigger finger outside of trigger guard) and other hand on handguard.
4. Raise gun and pull stock firmly into shoulder.
5. Line up your sights with your target by placing the top of the post in the center of the rear aperture. (fig. 26)
6. Move fire selector to "F" (Fire), place trigger finger on trigger and squeeze until gun fires. **SAFETY GRIP MUST BE FULLY DEPRESSED.**
7. To fire subsequent rounds, release trigger and pull it again for each shot.
8. Upon interruption of firing set fire selector on "S" (Safe) position.
9. Upon completion of firing unload (clear) (see page 27) and set fire selector on "S" (Safe).

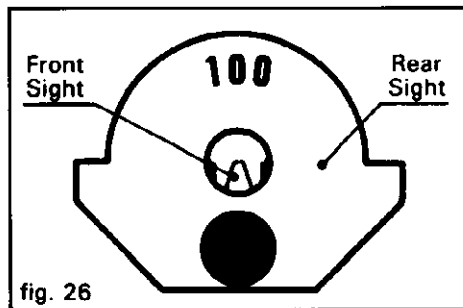


fig. 26

ZEROING

1. The UZI is factory prezeroed. Due to individual eyesight variations actual M.P.I. (Mean Point of Impact) may vary up to 4" from the aiming point 100 m (110 yds.).
2. Instructions for individual zeroing are included with the sight adjustment tool accessory which will enable sight adjustment to within 2" horizontally and 3" vertically.

CARE AND CLEANING

GENERAL

Comprehensive knowledge of how to service and handle guns is of great importance. Experience has shown that most failures which occur while operating the gun are due to negligence in maintenance.

Special attention must be paid to cleaning, lubricating and inspecting the gun; this will determine whether or not the gun will function properly when you need it.

In order to maintain accuracy, the barrel must be serviced thoroughly. The receiver, the bolt assembly and other moving parts of the gun must be kept clean and lightly lubricated to ensure proper operation. Care and cleaning includes the magazines, which must be kept free from rust, grit, gum, etc., in order to function properly.

INITIAL CLEANING

1. Upon receipt of gun disassemble (see page 14) and inspect.
2. Clean gun as per Periodic Maintenance Procedures.(see page 31)
3. Any heavy or gummy deposits may be removed using very light rust preventive oils such as C.R.C., W.D. 40 or similar. After cleaning, wipe dry and lightly coat with gun oil.
4. Never use abrasive or metallic objects, synthetic cloth, dry cleaning fluids, detergents, acids, lyes, water or steam.
5. Reassemble and ensure proper functioning of gun and safeties.(see page 32)
6. Observe all safety precautions.(see page 5)

PERIODIC MAINTENANCE

1. Disassemble the gun.(see page 14)
Clean all dismantled parts as explained below. Remove all foreign matter or dirt using any widely distributed gun oil and gun cleaning equipment made for sporting and hunting firearms.
2. Clean the barrel bore and chamber:
use cleaning rod or pull through with a patch. Continue until patches come out clean. After cleaning, lightly lubricate the bore and chamber with a patch dipped in lubricant to prevent corrosion and pitting.
3. Clean exterior and interior surfaces of all subassemblies to remove dampness, dirt and perspiration. Then wipe all metal surfaces with a lightly oiled patch or rag. Pay particular attention to all parts of the firing mechanism.
4. While cleaning, the following inspection must be carried out:
 - a. Examine the bore and chamber visually and make sure it is free of rust, pitting, and metal fouling, and that the barrel has not been damaged.
 - b. Check that all dismantled parts are serviceable and none are missing.
 - c. Grasp receiver by pistol grip with selector on "F" (Fire), squeeze trigger **slowly**, two to three times (safety grip fully depressed). Sear should depress and snap back without hangup.
 - d. Inspect the firing pin visually to ensure that it is undamaged. It is normal for the firing pin to be loose in the carrier.
 - e. Inspect extractor visually and make sure it is clean and undamaged.
5. Assemble the gun.(see page 14)

6. After assembly check the following:
 - a. With fire selector on "F" (Fire) position, cock and dry fire at least twice to ensure that the mechanism is working smoothly & properly.
 - b. Cock the gun, move fire selector to "S" (Safe), point barrel in safe direction, squeeze trigger to ensure safety is working properly. Return selector to "F" (Fire) position and dry fire. Set selector to "S" (Safe).
 - c. Check sights and all exterior parts of the gun to make sure that they are undamaged and serviceable.

7. It is imperative that magazines be given the best of care and kept in perfect condition. They should be disassembled, cleaned, and lightly oiled.(see page 19) Check magazine lips. They should not be deformed or nicked.

CLEANING BEFORE FIRING

1. Disassemble the gun.(see page 14)
2. Run clean patches through bore and chamber to remove all dust and oil. There should be no oil in bore and chamber before firing as this may cause dangerous pressures to develop.
3. Remove excess oil from interior of bolt and bolt face.
4. Check that all moving parts are lightly oiled.
5. Assemble the gun and check functioning.(see page 28)

CLEANING AFTER FIRING

1. The gun should be cleaned not later than the evening of the day on which it was fired to prevent corrosion and caking of deposits.

2. Follow procedures of periodic maintenance and pay particular attention to all parts which have been in contact with powder gases.
- a. Barrel - In order to remove heavy deposits, use cleaning brush. Make sure the brush goes all the way through the bore before reversing the direction. Deposits that cannot be readily removed with the brush may be treated by coating bore & chamber with good quality bore cleaning fluid and allowing to soak for at least twelve hours. After soaking repeat above procedure. The barrel should be cleaned and recoiled, at least once on the day after firing.
 - b. Firing Mechanism - Remove all powder residues from bolt face and interior surfaces of bolt. If necessary use stiff nylon brush or tooth brush. Remove extractor and clean caked deposits at least

once every 1000 rounds.(see page 34) Clean and lightly oil all parts of bolt and striker mechanism.

- c. Receiver - Wipe off any heavy deposits in interior and oil lightly.
- d. Magazine - Make sure magazines are clean and follower moves freely.

ADDITIONAL DISASSEMBLY

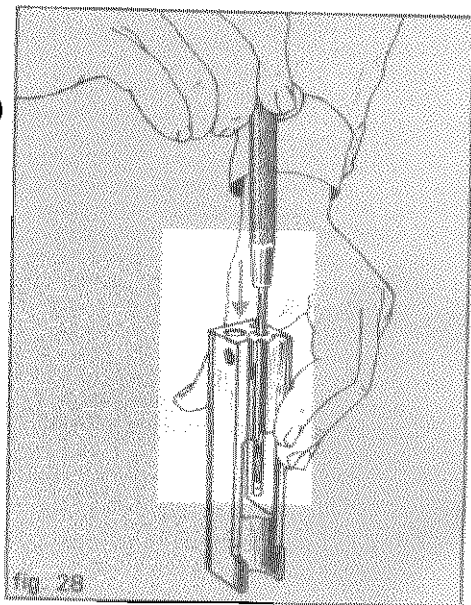
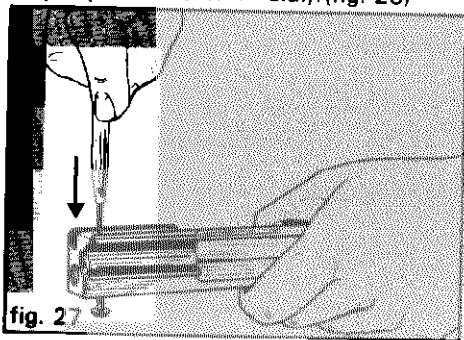
EXTRACTOR

Extractor should be removed for cleaning after the following:

1. Firing a total of 1000 rounds.
2. Exposure to moisture, water or rust-causing environment.

DISASSEMBLY

1. Using a suitable drift pin (1/8" to 5/32" dia.) push out extractor retaining pin from its shank end.(fig. 27)
2. Using the retaining pin, push extractor forward and remove from bolt. If extractor is frozen because of excessive carbon deposits, tap forward and out using a suitable drift pin (3/16" to 1/4" dia.).(fig. 28)

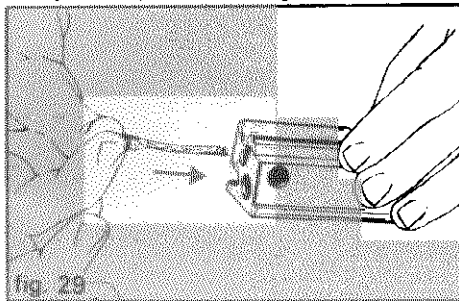


CLEANING

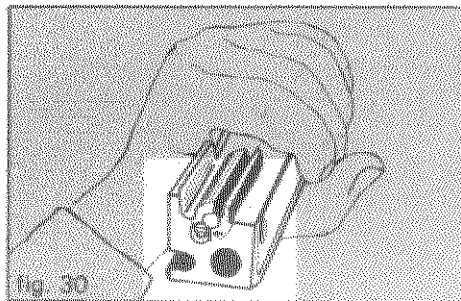
1. Remove all caked deposits from extractor claw. Clean and oil lightly.
2. Using a small diameter brush or patch, clean and lightly lubricate extractor hole. (any .22 caliber cleaning equipment may be used.)

ASSEMBLY

1. Hold bolt with rear facing you and ejection port to the right.



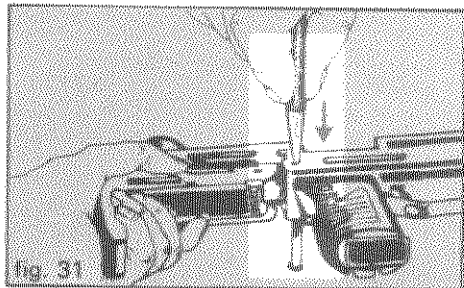
2. Insert extractor in bolt from the rear with claw forward and slot in thick end up. (fig. 29)
3. Push extractor forward until base is flush with small recess in bolt end. Slot must be aligned with arrow. Check that slot aligns with hole in bolt. (fig. 30)
4. Insert pin from the left side (side opposite ejection port). Push home.



PISTOL GRIP

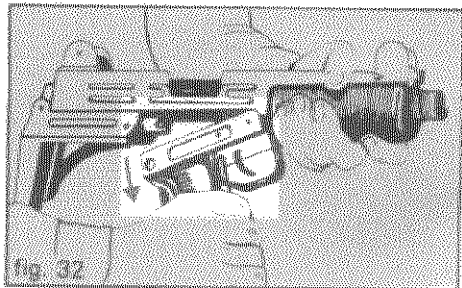
The pistol grip should be disassembled for cleaning and oiling only after any of the following:

1. Firing a total of 5000 rounds.
2. Once a year.
3. Exposure to moisture, water or rust-causing environment.



DISASSEMBLY

1. Partially push out takedown with a suitable drift pin (approx. 5/16" dia.) Pin should clear lug on receiver but not fall free of the pistol grip. (fig. 31)
2. Remove grip from the receiver. (fig. 32)



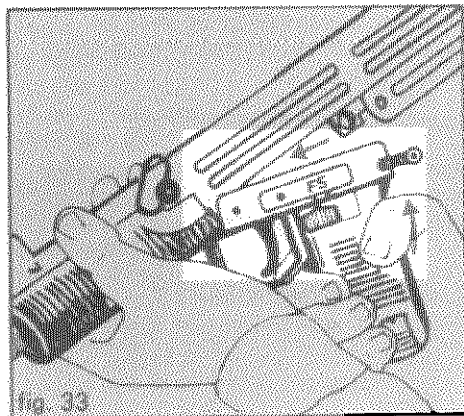
CLEANING AND OILING

1. Remove loose dirt and debris with small parts cleaning brush.
2. Set fire selector on "F" (Fire), squeeze trigger and let sear snap up.
3. Repeat "1"
4. Spray interior generously with C.R.C., W.D.- 40 or similar compound while holding upside down.
5. Let excess drain out.
6. Apply gun oil to all pivot points, moving, or contacting surfaces.
7. Move fire selector back and forth several times to distribute lubricant.
8. With fire selector on "F" (Fire) rotate sears rearward until they snap under disconnecter.
9. Set fire selector on "S" (Safe).

ASSEMBLY

1. Insert lip in front of pistol grip into recess at bottom of receiver. (fig. 33)

2. Press safety grip and bring pistol grip into position on receiver by jiggling slightly. Make sure pistol grip pin hole aligns with hole in lug on receiver.
3. Tap pin into place with a soft hammer or aluminum block.



IMMEDIATE ACTION AND TROUBLE SHOOTING

A failure to fire including one caused by an empty magazine, may often be corrected by taking immediate action

IMMEDIATE ACTION

Remove magazine and wait 3 seconds with barrel pointing in a safe direction, then inspect magazine.

1. MAGAZINE EMPTY

Cock to remove possible last round. Inspect chamber and if empty, insert full magazine, recock and continue firing.

2. MAGAZINE NOT EMPTY (Malfunction)

- a. Recock to clear possible defective or wrongly positioned round. If a round or case ejects, inspect chamber and if empty, reload and continue firing.
- b. If nothing ejects, fully draw back bolt and check if a cartridge or case is in chamber. If empty, reload and continue firing.
- c. If base of cartridge is visible, allow bolt to snap home and fire in a safe direction. If gun fires and ejects, reload and continue.
- d. If gun does not fire, set gun on "S" (Safe) and follow trouble shooting procedure for "Case or Round Stuck in Chamber". (see page 42)

TROUBLE SHOOTING

A. FAILURE TO FEED - Gun jams or closes on empty chamber.

CAUSE

1. Incorrect Cock
2. Magazine Improperly Seated
3. Magazine Improperly Loaded

4. Dirty Magazine
5. Damaged Magazine
6. Short Recoil

7. Double Feed

REMEDY

Clear jam if necessary and recock (bolt fully rearward and snapped home). Don't ride the Cocking Knob!

Push magazine home until latch catches.

- a. Seat top cartridge properly.
- b. Check that no more than 25 rounds are in magazine.
- c. Make sure that not less than 3 rounds were loaded in magazine.

Disassemble and clean.

Replace.

Clear jam. Check chamber for cleanliness. Check type of ammunition (may be underpowered).

- a. Inspect for stuck case or cartridge (E).
- b. Check extractor and ejector (D).

B. FAILURE TO CHAMBER

- Bolt does not fully close and gun will not fire.

CAUSE

1. Incorrect Cock
2. Dirty Chamber
3. Defective Ammunition
4. Very Dirty Gun
5. Defective Return Spring

REMEDY

Remove magazine. Recock and reload.

Clean

Check for damaged cartridges.

Check for sluggishness in bolt and firing mechanism. Clean and oil as necessary.

Check for recurrent sluggishness in operation. Check spring assembly for damage. Replace if necessary.

C. FAILURE TO FIRE

- Striker snaps home but gun will not fire.

CAUSE

1. Bolt not Fully Closed
2. Defective Cartridge

REMEDY

Follow procedure for incorrect cock or short recoil (A).

Inspect primer. If fully indented discard safely. If not fully indented check firing mechanism.

- | | |
|--|---|
| <p>3. Dirty Firing Mechanism
Defective Firing Pin
Defective Striker Assembly</p> | <p>Check for sluggishness of operation.
Clean and replace as necessary.</p> |
| <p>4. Barrel Not Properly Seated</p> | <p>Tighten barrel nut.</p> |

D. FAILURE TO EXTRACT OR EJECT

- The gun may short recoil, not eject or jam (spent case left in chamber).

CAUSE

REMEDY

- | | |
|--|--|
| <p>1. Underpowered Ammunition (Short Recoil)</p> | <p>Check ammunition and change if problem persists.</p> |
| <p>2. Dirty or Damaged Chamber</p> | <p>Inspect; clean, replace barrel if necessary.</p> |
| <p>3. Defective Ammunition</p> | <p>Check ammunition for damage. Replace if problem persists.</p> |
| <p>4. Fouled Extractor</p> | <p>Clean Extractor.</p> |
| <p>5. Extractor Defective or Missing</p> | <p>Replace.</p> |
| <p>6. Damaged Ejector</p> | <p>Replace if necessary.</p> |

E. SPENT CASE OR ROUND STUCK IN CHAMBER

CAUTION: The following procedure should be carried out only after following the steps in "Immediate Action": (see page 38 - 2b,c,d)

1. Remove bolt and striker assembly.
2. With barrel in place insert cleaning rod through front of barrel. Push or tap gently to remove obstruction.
3. Check chamber and bore. Clean before reassembly.
4. If obstruction cannot be removed, disassemble barrel and contact authorized service station.

LIMITED WARRANTY

ACTION ARMS, LTD. firearms are warranted to be free from defects in material and workmanship for a period of twelve (12) months from the date of purchase by the original purchaser. The obligation of Action Arms, Ltd. under this warranty is limited to the original purchaser for free replacement of any part which, under normal conditions of use and service, proves to be faulty because of any defect in material or workmanship. Action Arms, Ltd. will not be responsible for the results of careless handling, unauthorized adjustments, defective or improper ammunition, corrosion, neglect, ordinary wear and tear, or unreasonable use. To obtain performance of any warranty

obligation, the purchaser must return the entire firearm, including any damaged or broken parts, to the Service Department. All warranty claims must be in writing, and must include a description of the problem, the serial number of the firearm, and the date and place of purchase.

All shipping charges are to be paid by the purchaser. It is recommended that shipments be insured by the purchaser, as Action Arms, Ltd. will accept no responsibility for loss or damage to goods in transit. Shipping and insurance charges for return to purchaser will be paid by Action Arms, Ltd. if the claim is accepted for warranty work.

LIMITATION OF LIABILITY

THE LIABILITY OF ACTION ARMS, LTD. OR ISRAEL MILITARY INDUSTRIES FOR ANY AND ALL LOSSES AND DAMAGES TO THE PURCHASES SHALL IN NO EVENT EXCEED THE PURCHASE PRICE OF THE DEFECTIVE FIREARM WITH RESPECT TO WHICH LOSSES ARE CLAIMED, OR, AT THE ELECTION OF ACTION ARMS, LTD., THE REPAIR OR REPLACEMENT OF THE DEFECTIVE OR DAMAGED FIREARM. SUCH LIMITATION SHALL APPLY TO ANY AND ALL LOSSES RESULTING FROM ANY CAUSE WHATSOEVER, INCLUDING, BUT NOT LIMITED TO THE NEGLIGENCE OF ACTION ARMS, LTD. OR ISRAEL MILITARY INDUSTRIES AND/OR ALLEGED DAMAGED OR DEFECTIVE FIREARM, IRRESPECTIVE

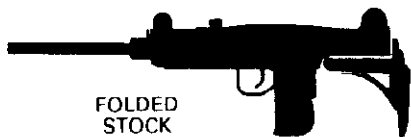
OF WHETHER SUCH DEFECTS ARE DISCOVERABLE OR LATENT. IN NO EVENT, INCLUDING THE CASE OR A CLAIM OF NEGLIGENCE, SHALL ACTION ARMS, LTD. OR ISRAEL MILITARY INDUSTRIES BE LIABLE FOR INCIDENTAL OR CONSEQUENTIAL DAMAGES.

Action Arms, Ltd. makes no other representations or warranties of any kind, express or implied, with respect to its firearms, whether as to merchantability, fitness for a particular purpose, or any other matter. The attached warranty information card must be completed within ten (10) days of purchase and returned to Action Arms, Ltd. to validate the warranty.

WARNING!

IT IS DANGEROUS TO ALTER OR MODIFY THIS FIREARM IN ANY WAY. ANY ALTERATION OR MODIFICATION OF THE FIRING MECHANISM MAY RESULT IN THIS FIREARM BECOMING UNSAFE. ANY ATTEMPT TO ALTER OR MODIFY THIS FIREARM IS ILLEGAL AND WILL NULLIFY ALL WARRANTIES AND WILL BE SUBJECT TO IMMEDIATE NOTIFICATION TO THE UNITED STATES BUREAU OF ALCOHOL, TOBACCO AND FIREARMS.

You may also have other rights under this warranty which vary from state to state.



FOLDED
STOCK



EXTENDED
STOCK



WITH DISPLAY
BARREL



ISRAEL MILITARY INDUSTRIES
P.O.B. 7055, TEL AVIV, ISRAEL



action arms ltd.

4567 BERMUDA STREET PHILADELPHIA, PA 19124