



Door Breaching Munition for MOUT Operations

David Yung

TACOM-ARDEC

AMSTA-AR-CCL-B

dyung@pica.army.mil

Committed to Excellence



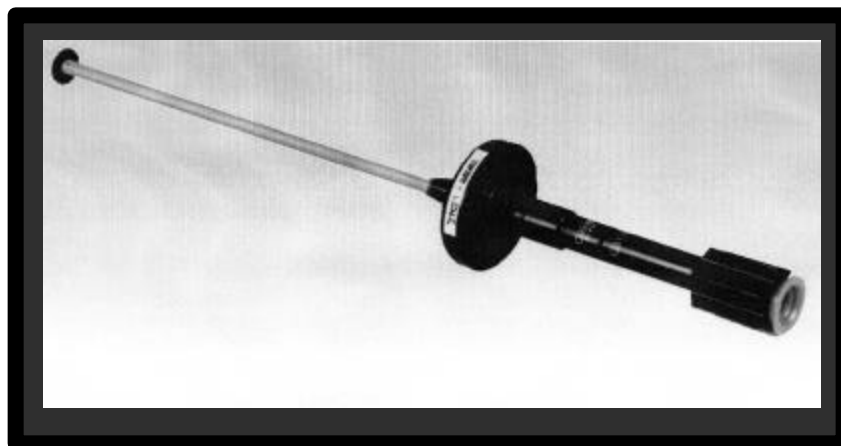
TACOM

Lethality, Survivability, Mobility and
Sustainment for America's Army



RLEM

Rifle Launched Entry Munitions



Committed to Excellence



Outline

- *MOUT Mission Requirement*
- *Current Breaching Techniques*
- *Application*
- *Requirement*
- *Targeted doors*
- *System Description*
- *Test Result*
- *Government Testing(video)*
- *Schedule*





TACOM

Lethality, Survivability, Mobility and
Sustainment for America's Army



MOUT MISSION REQUIREMENT

➤ Close Distance Engagement

➤ Fast Operation

➤ No Casualties
to Civilians

➤ No Collateral
Structure
Damage



Committed to Excellence



Current Breaching Techniques

APPLY EXPLOSIVE:

- Cause Collateral Damage to Structure



MANUAL ENTRY OPERATION

- Slow
- Long Exposure Put Friendly Forces at Risk



TACOM

Lethality, Survivability, Mobility and Sustainment for America's Army



- Light weight, hand-held breaching round
- Remotely operated from the standard M16/ M4 rifles



Stealthy rapid breach achieved through silent set-up, remote operation and quick shoot-through of doors with minimal hazard to operator or target



REQUIREMENT

Bullet Trap - Device able to be fired with M855 Ball and M856 Tracer

Angle Attack- Breaching from 75 degree to 105 degree

Range - Remotely operate from distance
6 meter to 20 meter

Breaching Capability - 95% probability of breaching with two rounds

Operation Time - < 60 seconds



TACOM
Lethality, Survivability, Mobility and
Sustainment for America's Army



Exterior Doors

BREACHING TARGET:

- Single / 1-3/4 inch - Wooden Door; Steel Door
- Double / 1-3/4 inch- Wooden Door; Steel Door

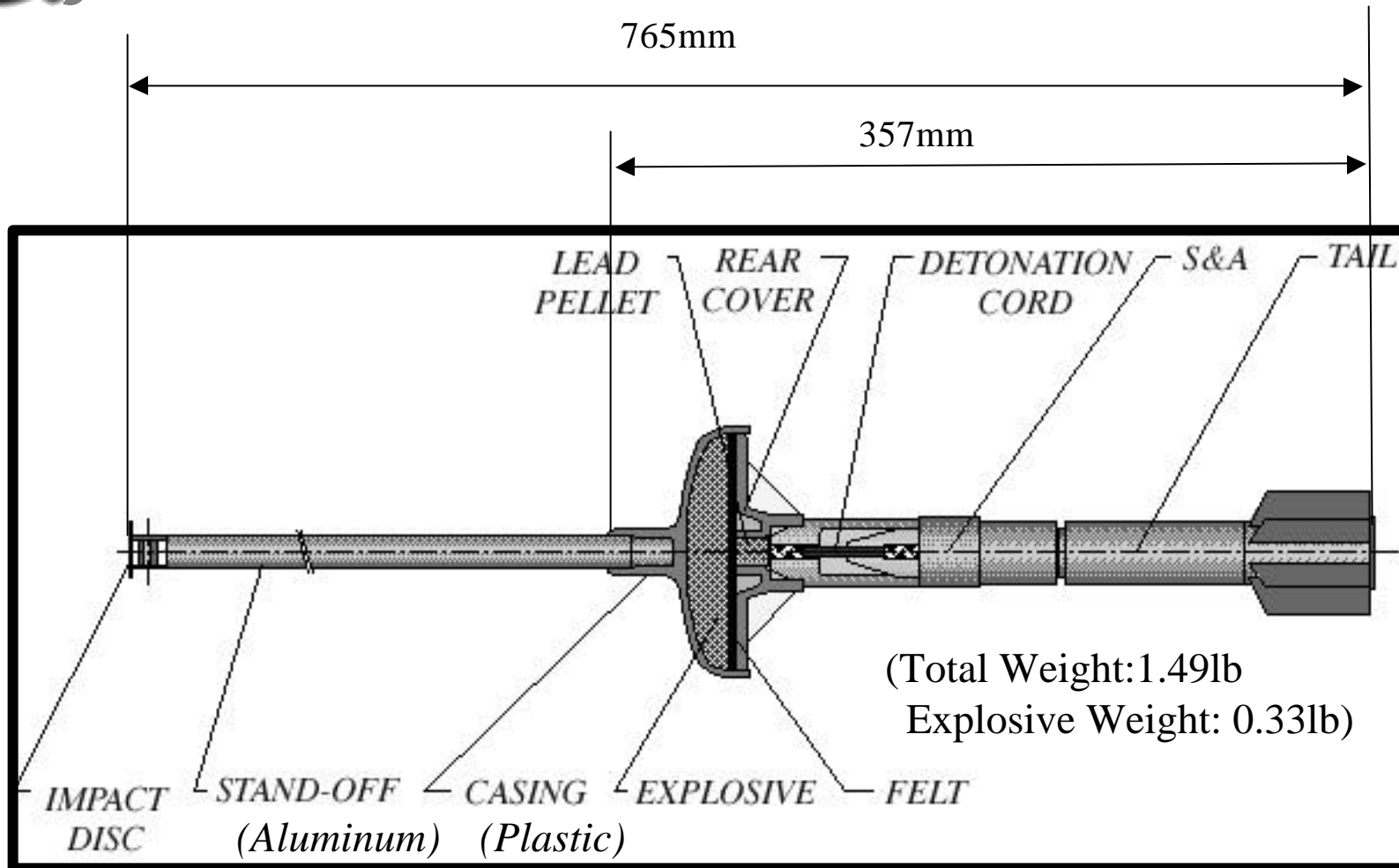


Committed to Excellence



TACOM

Lethality, Survivability, Mobility and Sustainment for America's Army



Committed to Excellence



TACOM
Lethality, Survivability, Mobility and
Sustainment for America's Army



Door before test



Door after test



Committed to Excellence



TACOM

Lethality, Survivability, Mobility and Sustainment for America's Army



Committed to Excellence



Schedule

Contract Award: April 2000

Delivery Schedule : 2nd QTR 2001

Technical Test : 2nd QTR 2001/ 3th QTR 2001

Typed Classification : 4th QTR 2001