

⚠ WARNING:

BEFORE USING THIS FIREARM, READ AND FOLLOW THESE INSTRUCTIONS

If there is anything you do not understand, get help from someone qualified in the safe handling of firearms.



**SAFETY
AND
INSTRUCTION
MANUAL**

MK IV/SERIES 80 AND 90 PISTOLS:

GOVERNMENT MODEL™

M1991A1® MODELS

COMBAT TARGET™

COMBAT COMMANDER®

COMMANDER® (LIGHTWEIGHT)

COMBAT ELITE®

DELTA ELITE®

OFFICER'S ACP®

COLT DEFENDER™

Copyright © 1996 Colt's Manufacturing Company, Inc. All Rights Reserved.

This instruction manual should always accompany this pistol.

When you lend, give or sell this firearm, be sure this manual goes with it.

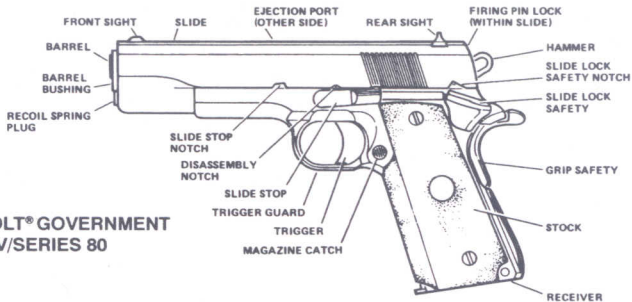


FIGURE 1—COLT® GOVERNMENT MODEL® MK IV/SERIES 80



CAUTION: ALWAYS KEEP AND CARRY YOUR PISTOL EMPTY, WITH THE HAMMER FORWARD EXCEPT WHEN YOU INTEND TO SHOOT, so that your pistol cannot be fired when you do not mean to fire it.



CAUTION: USE ONLY CLEAN, DRY ORIGINAL HIGH QUALITY COMMERCIALY MANUFACTURED AMMUNITION IN GOOD CONDITION which is appropriate to the caliber of your pistol—see following table and Section 3 Caution 14. And never carry the pistol with a round in the chamber until ready to shoot.

BARREL

CHAMBERED FOR:

SUITABLE AMMUNITION:

	45 ACP	38 Super Auto	9mm Luger	10mm Auto	40 S&W
45 ACP	yes	no	no	no	no
38 Super Auto	no	yes	no	no	no
9mm Luger	no	no	yes	no	no
10mm Auto	no	no	no	yes	no
40 S&W	no	no	no	no	yes

SECTION 1

PRECAUTIONS

READ AND UNDERSTAND ALL THE FOLLOWING PRECAUTIONS BEFORE REMOVING THIS FIREARM FROM ITS PACKAGE.

This Colt product is classified by the Alcohol, Tobacco and Firearms Division of the Internal Revenue Service, U.S. Treasury Department, as a firearm or dangerous weapon; it is, therefore, potentially lethal!



WARNING: IF THIS FIREARM IS CARELESSLY OR IMPROPERLY HANDLED, UNINTENTIONAL DISCHARGE COULD RESULT AND COULD CAUSE INJURY, DEATH, OR DAMAGE TO PROPERTY.



CAUTION: CAREFULLY READ THIS INSTRUCTION MANUAL WHICH GIVES BASIC ADVICE ON THE PROPER HANDLING AND FUNCTIONING OF THIS COLT FIREARM PRIOR TO LOADING AND FIRING. However, your safety and the safety of others (including your family) depends on your mature compliance with that advice, and your adoption, development and constant employment of safe practices.

If unfamiliar with firearms, seek further advice through safe handling courses run by your local gun clubs, NRA approved instructor, or similar qualified organizations.

NOTICE

Colt shall not be responsible for injury, death, or damage to property resulting from either intentional or accidental discharge of this firearm, or from its function when used for purposes or subjected to treatment for which it was not designed. Colt will not honor claims involving this firearm which result from careless or improper handling, unauthorized adjustment or parts replacement, corrosion, neglect, or the use of wrong caliber ammunition, or the use of ammunition other than original high quality commercially manufactured ammunition in good condition, or any combination thereof. Colt will not honor claims involving this firearm for any reason or cause when such claims are made by the second or subsequent owner.

IMPORTANT

Before it left the factory this firearm was tested, carefully inspected, and packaged. Colt cannot control product handling after it leaves the factory; therefore, please examine this firearm carefully at the time of purchase to insure that it is unloaded and undamaged. The dealer will be pleased to assist you in making this examination and endeavor to answer your further questions.

This instruction manual should always accompany this firearm. When you lend, give or sell this firearm, be sure this manual goes with it.

LIST OF SECTIONS

SECTION	TITLE	PAGE	SECTION	TITLE	PAGE
1	PRECAUTIONS	1		Carrying Modes	26
2	Main Features	4		Unloading	27
3	Safety Instructions:	7		To Unload	27
	Cautions	7		Colt Accro Adjustable	
	Safety Features:	15		Rear Sight	28
	Trigger Guard	15		Firing	29
	Slide Lock Safety	15		To Fire	30
	Grip Safety	16	5	Maintenance:	33
	Safety Stop on Hammer	17		Stripping for Cleaning	34
	Disconnecter	18		Assembling after Cleaning	39
	Inertia Firing Pin	18		When to Clean	45
	Firing Pin Lock	19		How to Clean and Lubricate	45
4	Function:	20		Cleaning the Magazine	48
	Ammunition Selection	21		Storage	51
	Loading	22		Servicing and Repair	52
	To Load a Magazine	22	6	Parts Illustrations and Lists	55
	To Load the Pistol	23	7	The Customized Gun	60

The Government Model MK IV Series 80 retains a quality of endurance acknowledged since 1911. Manual and automatic safety devices, including the Series 80 Firing Pin Lock, can be depended on to serve you reliably and safely provided you handle the pistol properly. The Delta Elite and Combat Elite are the same size, and have most of the features of the Government Model.

The Combat Commander and Commander Model (Lightweight) semi-automatic pistols are identical in appearance and function. They differ from the Government Model in size, weight and barrel configuration, and they differ one from the other in that the "Lightweight" has an aluminum receiver in place of steel. The Officer's ACP is similar to, but smaller than, the Commanders. It has a different barrel bushing configuration.

These pistols are available in different calibers and in different metal finishes which are shown in the table opposite. This instruction manual applies to all these variations of the pistols and to commemorative issues of them currently marketed by Colt.

The Government Model is illustrated throughout this manual and those illustrations also apply to the Delta Elite, Combat Elite, and Combat Target, all Commander pistols, the Officer's ACP and the Colt Defender unless otherwise shown.

CONVERSION UNITS... IMPORTANT If you purchase a Colt 22 or 9mm Conversion Unit, **NOTE** that only a Series 80 Conversion Unit is compatible with a Series 80 pistol. Do **NOT** install a Series 70 Conversion Unit on a Series 80 pistol.

Colt MK IV/Series 80 Semi-Automatic Pistols

Pistol Type	Barrel Length	Finishes	Magazine Capacity	Sights
Government Model 38 Super or 9mm Luger	5"	Colt Blue	9 rounds	{ Fixed square notch rear. Fixed blade front. Sight radius 5¾"
45 ACP	5"	Colt Blue, Stainless Steel, Nickel or Satin Nickel	8 rounds	
Combat Elite 45 ACP	5"	Blue slide w/stainless receiver	8 rounds	{ Colt Accro® adjustable rear. Fixed blade front. Sight radius 6½"
38 Super 40 S&W			9 rounds 8 rounds	
Combat Target 45 ACP	5"	Matte Blue Matte Stainless	8 rounds	As above.
Delta Elite 10 mm	5"	Blue	8 rounds	Fixed square notch high profile rear. Fixed blade front. 3 Dot. Sight radius 6½"
Combat Commander 38 Super or 9 mm Luger	4¼"	Colt Blue	9 rounds	Fixed square Fixed blade front. Sight radius 5¾"

SAFETY DEPENDS ON YOU

Pistol Type	Barrel Length	Finishes	Magazine Capacity	Sights
Combat Commander 45 ACP	4¼"	Colt Blue, Stainless Steel or Satin Nickel	8 rounds	3 dot fixed front and rear. Sight radius 5¾"
Commander Model (Lightweight) 45 ACP	4¼"	Colt Blue	8 rounds	As above.
Officer's ACP 45 ACP	3⅝"	Colt Blue or Stainless Steel	6 rounds	As above but with sight radius 5½"
Officer's ACP (Lightweight) 45 ACP	3⅝"	Colt Blue	6 rounds	As above.
M1991A1 45ACP	5"	Parkerized Matte Blue	7 rounds	Fixed square notch rear. Fixed ramped blade front. Sight radius 6½"
M1991A1 45 ACP Commander	4¼"	Parkerized Matte Blue	7 rounds	As above but with sight radius 5¾"
M1991A1 45 ACP Compact	3⅝"	Parkerized Matte Blue	6 rounds	3 dot fixed front and rear. Sight radius 5½"
Series 90 Colt Defender 45 ACP	3"	Matte Stainless Slide with Electroless Nickle Coated Aluminum Receiver	7 rounds	Colt Competition Sights

NOTE: These features may change, for example, with the introduction of a new caliber or new features.

We want you to enjoy shooting your Colt pistol, but we want you to enjoy it safely. You may be an experienced safe shooter already familiar with the procedures in this instruction manual, or you may never have handled a gun before. Either way we urge you to **READ THIS ENTIRE INSTRUCTION MANUAL CAREFULLY. YOU MUST FOLLOW THE SAFETY INSTRUCTIONS FOR YOUR SAFETY AND THE SAFETY OF OTHERS.**



WARNING: When *you* squeeze the trigger, *you* must expect the gun to fire, and *you* must take full responsibility for firing it. *Your* care can avoid accidental discharge, and *you* will thereby avoid accidental injury and death.



CAUTIONS:

GENERAL HANDLING CAUTIONS

1. ALWAYS HANDLE YOUR PISTOL AS IF IT WERE LOADED so that you never fire it accidentally when you think it is unloaded.
2. NEVER POINT YOUR PISTOL AT ANYTHING YOU DO NOT INTEND TO SHOOT so that if it fires accidentally, injury, death, or damage to property will be prevented.

- 3. NEVER TAKE ANYONE'S WORD THAT A GUN IS UNLOADED:** check for yourself with fingers off the trigger and gun pointed in a safe direction, so that you never fire the gun accidentally when you think it is unloaded.
- 4. ALWAYS MAKE SURE YOUR PISTOL IS NOT LOADED AND SLIDE IS LATCHED OPEN BEFORE LAYING IT DOWN, OR HANDING IT TO ANOTHER PERSON,** so that it cannot be fired when it is unsafe to do so.
- 5. ALWAYS KEEP AND CARRY YOUR PISTOL EMPTY, WITH THE HAMMER FORWARD** except when you intend to shoot, so that your pistol cannot be fired when you do not mean to fire it.
- 6. ALWAYS BE AWARE OF POSSIBLE RISK FROM DROPPING YOUR PISTOL.** Some parts of the mechanism could be damaged. You may not see the damage but if it is severe, the pistol may discharge and cause injury, death, or damage to property. If your pistol has been dropped, have it examined by a competent gunsmith before using it again.
- 7. NEVER LEAVE PISTOL COCKED READY TO FIRE** as this condition is extremely dangerous, and pistol could easily be accidentally discharged, causing injury, death, or damage to property.
- 8. NEVER LEAVE A LOADED PISTOL UNATTENDED.** Someone, especially a child, may fire it and cause injury, death, or damage to property.

9. ALWAYS INSTRUCT CHILDREN TO RESPECT FIREARMS. If you teach your children to shoot, teach them or get them trained by a qualified instructor to treat and use the pistol properly, and always supervise them closely. Always stress safety so that your children will not fire the pistol when it is unsafe to do so.



RANGE CAUTIONS

10. ALWAYS BE SURE YOUR BACKSTOP IS ADEQUATE to stop and contain bullets before beginning target practice so that you do not hit anything outside the range shooting area. **THINK!** *What will you HIT if you MISS the target?*

11. ALWAYS PUT A KNOWLEDGEABLE AND RESPONSIBLE PERSON IN CHARGE TO MAINTAIN SAFETY CONTROL WHEN A GROUP IS FIRING ON A RANGE. Obey his commands so that discipline is maintained to reduce the likelihood of accidents.

12. ALWAYS CARRY YOUR PISTOL EMPTY WITH SLIDE LATCHED OPEN WHILE ON A RANGE until preparing to fire, keep it pointing towards the backstop when loading, firing and unloading, to eliminate the risk of injury, death, or damage to property.



LOADING CAUTIONS

13. ALWAYS BE SURE BARREL BORE, CHAMBER AND ACTION ARE CLEAN AND CLEAR OF OBSTRUCTIONS. Clean a fouled pistol immediately so that it will function correctly and safely.

14. ALWAYS USE ONLY CLEAN, DRY, ORIGINAL HIGH QUALITY COMMERCIALY MANUFACTURED AMMUNITION IN GOOD CONDITION WHICH IS APPROPRIATE TO THE CALIBER OF YOUR PISTOL. (See Table on inside front cover). Gun and ammunition manufacturers design their products within exacting engineering safety limits. Handloads and remanufactured ammunition are sometimes outside those limits and can be so unsafe as to blow up the chamber, slide and receiver and cause injury, death, or damage to property.



SHOOTING CAUTIONS

15. NEVER DRINK ALCOHOLIC BEVERAGES OR TAKE DRUGS BEFORE OR DURING SHOOTING, as your vision, coordination and judgment could be seriously impaired making your gun handling unsafe.

16. ALWAYS SEEK A DOCTOR'S ADVICE IF YOU ARE TAKING MEDICATION, to be sure you are fit to shoot and handle your pistol safely.

17. ALWAYS WEAR AND ENCOURAGE OTHERS TO WEAR EAR PROTECTION WHEN SHOOTING, especially on a range. Without ear protection, the noise of even one shot from your pistol, and other guns close to you, could leave a “ringing” in the ears for some time after firing, while the cumulative long term effect could be permanent hearing loss.

18. ALWAYS WEAR AND ENCOURAGE OTHERS TO WEAR PROTECTIVE SHOOTING GLASSES. Flying particles could damage eyes and cause blindness; but protective shooting glasses should prevent such injury.

19. ALWAYS KEEP THE SAFETY ON WHEN PISTOL IS LOADED AND COCKED UNTIL YOU ARE READY TO FIRE. This will minimize risk of an accidental discharge.

20. ALWAYS KEEP CLEAR AND KEEP OTHERS CLEAR OF THE EJECTION PORT. Spent cartridges are ejected with enough force to cause injury. The ejection port must also be unobstructed by your hand to insure safe ejection of live rounds. Never place fingers in ejection port; they could be burned by hot metal or injured by the slide moving forward.

21. NEVER SQUEEZE THE TRIGGER OR PUT YOUR FINGER IN THE TRIGGER GUARD UNTIL YOU ARE AIMING AT A TARGET AND READY TO SHOOT. This will prevent you firing the pistol when it is pointing in an unsafe direction.

22. ALWAYS BE ABSOLUTELY SURE OF YOUR TARGET AND THE AREA BEHIND IT BEFORE YOU SQUEEZE THE TRIGGER. A bullet could travel through or past your target up to 1½ miles . . . if in doubt, don't shoot. THINK! *What will you HIT if you MISS the target?*

23. NEVER SHOOT AT A HARD SURFACE SUCH AS ROCK, OR A LIQUID SURFACE SUCH AS WATER. A bullet may ricochet and travel in any direction to strike you, or an object you cannot see, causing injury, death, or damage to property.

24. NEVER DISCHARGE A FIREARM NEAR FLAMMABLE MATERIAL. Flame and sparks erupt from the firearm when discharged. They could start a fire or cause flammable liquids and gases to explode.

25. NEVER FIRE YOUR FIREARM NEAR AN ANIMAL unless It is trained to accept the noise; an animal's startled reaction could injure it or cause an accident.

26. NEVER INDULGE IN "HORSEPLAY" WHILE HOLDING YOUR PISTOL as it may be accidentally discharged.

27. NEVER WALK, CLIMB OR FOLLOW A COMPANION WITH YOUR PISTOL COCKED READY TO FIRE, out of its holster, or with the hammer in any

position other than forward on an empty chamber, to eliminate risk of accidental discharge. When hunting, hold your pistol so that you can always control the direction of the muzzle.



MALFUNCTION CAUTIONS

28. FAILURE TO FIRE: ALWAYS HOLD PISTOL, KEEPING IT POINTED TOWARD THE TARGET OR A SAFE OPEN AREA AND WAIT 30 SECONDS when pistol fails to fire. If a hangfire (slow ignition) has occurred, round will fire within 30 seconds. If round does not fire, remove magazine, eject round and examine primer; if firing pin indent on primer is light, off center, or non-existent, have pistol examined by a competent gunsmith before firing again. If firing pin indent on primer appears normal (in comparison with similar previously fired rounds) assume faulty ammunition; segregate misfired round from other live ammunition and empty cases, reload and carry on firing.

NOTE: Dispose of misfired rounds in accordance with ammunition manufacturer's instructions.

29. NEVER USE YOUR PISTOL IF IT FAILS TO FUNCTION PROPERLY. AND NEVER FORCE A JAMMED ACTION, as a round may explode causing serious injury, possible death, or severe damage to your pistol.



CLEANING AND STORAGE CAUTIONS

30. ALWAYS MAKE SURE YOUR PISTOL IS NOT LOADED BEFORE CLEANING, STORING, TRAVELING, LAYING IT DOWN, OR HANDING IT TO ANOTHER PERSON, so that it cannot be fired when it is unsafe to do so.

31. ALWAYS KEEP AND STORE YOUR PISTOL AND AMMUNITION IN SEPARATE LOCKED RECEPTACLES OUT OF REACH AND SIGHT OF CHILDREN AND UNTRAINED PEOPLE, to minimize the risk of pistol and ammunition being easily available for loading and firing.



GUN ABUSE CAUTION

32. NEVER ABUSE YOUR PISTOL by using it for any purpose other than shooting.

33. NEVER DRY FIRE THE PISTOL WHEN THE SLIDE IS REMOVED FROM THE RECEIVER, and do not alter parts as the level of safety could be reduced.

NOTE: Please note that we have chosen to use the word “SQUEEZE” in this instruction manual instead of “PULL” or “PRESS” when trigger movement is described; this is simply to remind you of the need for a gentle squeezing action to achieve accuracy.

SAFETY FEATURES

Colt MK IV/Series 80 and 90 semi-automatic pistols incorporate several positive safety devices which, if properly employed, can minimize the danger of accidental firing. These safety devices are described on the following pages.

Trigger Guard

The Trigger Guard is a metal loop around the trigger to protect it from damage and to help prevent accidental discharge.

Slide Lock Safety

The Slide Lock Safety is located on the left rear of the pistol just below the slide. With hammer fully cocked and Slide Lock Safety applied, upper part of Slide Lock Safety engages slide lock notch to prevent rearward movement of slide, while an internal cam surface engages the sear to prevent forward hammer movement when trigger is squeezed. This safety device can be applied only when the slide is fully forward and hammer is fully cocked.

To apply Slide Lock Safety, point pistol in safe direction, keep fingers outside trigger guard, pull slide fully to rear and allow it to return sharply forward, leaving the hammer in fully cocked position. Press up on Slide Lock Safety

SAFETY DEPENDS ON YOU

until it fully engages slide lock notch (See Figure 2). When the Slide Lock Safety is down, the sear is free to release the hammer to fire the pistol when it is properly gripped and the trigger is squeezed.

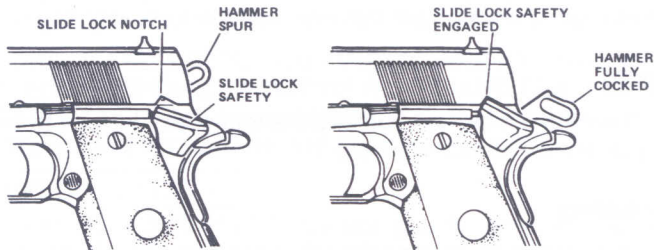


FIGURE 2—SLIDE LOCK SAFETY

Grip Safety

The Grip Safety is located on the upper rear part of the receiver (See Figure 1). The Grip Safety is automatically applied by spring action to prevent rearward travel of trigger unless pistol grip is firmly and properly grasped. The front of the Grip Safety (inside the pistol frame) contacts rear of trigger to prevent its rearward movement. When the pistol grip is positively grasped, the Grip Safety is rotated out of contact with rear of trigger to allow trigger movement.

Safety Stop on Hammer

The Safety Stop is a flat, shelf-like surface on the hammer which functions as an automatic safety device. It will engage the sear in the unlikely event of primary sear notch failure. This will prevent the hammer from falling fully forward unintentionally and will insure against uncontrolled automatic fire. It also prevents the hammer from striking the firing pin should your hand slip from the slide or hammer while cocking the pistol, provided the hammer is rotated past the Safety Stop. It is located such that when the sear engages the Safety Stop, the sear can be disengaged by squeezing the trigger to allow the hammer to fall forward. The hammer will fall when you squeeze the trigger. It falls because the sear slides over the flat part of the safety stop to release the hammer. This is intentional but will **not** allow the pistol to fire. It will not fire because the hammer is already almost fully forward when it is released from the sear. *The Safety Stop is not a manual safety and should not be engaged by hand.*



CAUTION: CONTROL HAMMER WITH YOUR THUMB AND ALWAYS POINT PISTOL IN A SAFE DIRECTION WHEN SQUEEZING THE TRIGGER TO LOWER THE HAMMER. This will avoid accidental injury in the unlikely event of pistol discharge, but lowering the hammer in this way should be done only when the chamber is empty.

Disconnecter

This safety device prevents a round being fired before it is in the chamber with slide and barrel locked. When slide is not fully forward the Disconnecter is depressed; its lower part disengages the sear, so that the hammer cannot be released if the trigger is squeezed. However, when slide and barrel are locked, a spring pushes the Disconnecter up into a recess in the slide; this links trigger and sear so that the pistol can be fired by squeezing the trigger.



CAUTION: NEVER ATTEMPT TO CHECK OR DEMONSTRATE THE DISCONNECTOR FUNCTION WITH A LOADED PISTOL. Pushing on the muzzle with your hand or any other portion of the body is extremely dangerous and could result in accidental discharge causing injury, death, or damage to property.

Inertia Firing Pin

The Firing Pin, which is shorter than its housing, is held to the rear by a spring and cannot protrude through face of slide unless a hammer blow overcomes the spring force and the inertia of the pin.

Firing Pin Lock

The Firing Pin Lock engages the firing pin to prevent its movement until the trigger is squeezed. Housed in the slide, the Firing Pin Lock is spring loaded into engagement with the firing pin to prevent it striking the cartridge primer. Squeezing the trigger disengages the Firing Pin Lock before the sear releases the hammer to strike the firing pin and discharge the pistol. This safety device minimizes the risk of accidental discharge through mishandling such as when a loaded pistol is dropped or receives a blow to the muzzle.



CAUTION: DO NOT CARRY YOUR PISTOL WITH THE HAMMER DOWN ON A LIVE CARTRIDGE. To do so means you must lower the hammer. To lower the hammer you must squeeze the trigger. When you squeeze the trigger you disengage the firing pin lock. This is not a safe condition. Instead, we urge you to follow the instructions in this manual. When you do, you can enjoy the safe use of your pistol.

IMPORTANT: These safety devices are designed and installed in this pistol to prevent accidental discharge. Of course, this Colt pistol is designed primarily to discharge bullets, and it will do this efficiently when it is loaded and you squeeze the trigger. *Always expect the gun to fire when you squeeze the trigger.*

A Colt MK IV/Series 80 and 90 semi-automatic pistol is ready to fire when a loaded magazine is inserted into the pistol, the slide pulled back to cock hammer, and released to travel forward and feed a round from the magazine into the chamber. Final forward slide movement locks barrel and slide together and deactivates disconnecter.

When the pistol is grasped, the grip safety is released so that trigger may now be squeezed. When the trigger is squeezed the trigger bar lever acts on the plunger lever to disengage the firing pin lock just before the sear disengages from the hammer. The hammer pivots forward under the force of the mainspring to strike the rear of the firing pin. The firing pin is driven forward to strike primer in base of cartridge.

The energy imparted to the primer ignites it; the primer in turn ignites the main powder charge which, in burning, rapidly generates extremely high gas pressure to drive the bullet down the barrel. Rifling grooves in the barrel impart stabilizing spin to the bullet so that it will follow a more accurate path to the target when it leaves the muzzle.

Force rearward on the slide breech face starts slide and barrel on their rearward travel; however, the slide unlocks from the barrel only after gas

pressure is reduced to a safe level. Rearward slide travel depresses the disconnect, carries spent cartridge rearward on extractor until base of cartridge is struck by ejector to propel it through ejection port.

Slide movement continues under momentum to fully cock the hammer. If last round has been fired, the magazine follower will activate the slide stop to hold slide to rear, but if a round remains in magazine, the slide will move forward to feed and lock the next round in the chamber. The trigger must be released and squeezed again to fire the next round.

AMMUNITION SELECTION

Colt firearms are designed to function with a variety of brands and types of factory-manufactured ammunition in the appropriate caliber; but not all ammunition produces the same result. Colt recommends that after you read and understand this manual, you go to the range and fire different ammunition which is appropriate to the caliber of your firearm. Once you find the ammunition which functions best, keep using it. **Every time before loading your pistol, examine the ammunition, particularly on and around the primer. Look for dents, scratches and other signs of damage. Do not load damaged ammunition.**

NOTE: Extensive use of +P ammunition will accelerate wear in your pistol.

LOADING



CAUTION: TO MINIMIZE RISK OF UNINTENTIONAL DISCHARGE, LOAD LIVE AMMUNITION INTO PISTOL ONLY WHEN YOU INTEND TO SHOOT, AND THEN KEEP AN EMPTY CHAMBER UNDER THE HAMMER.



CAUTION: ALWAYS EXERCISE EXTREME CARE TO KEEP MUZZLE POINTING IN A SAFE DIRECTION, WELL CLEAR OF YOUR BODY, particularly when loading and unloading.



To Load A Magazine

1. **CAUTION:** READ SAFETY INSTRUCTIONS (Section 3).

2. Use only ammunition recommended inside front cover of this instruction manual as suitable for your pistol. **Examine the ammunition, particularly on and around the primer. Look for dents, scratches, and other signs of damage. Do not load damaged ammunition.**

3. With open end uppermost, grasp magazine in one hand. Place a round on magazine follower with base just forward of retaining lips (see figure 3). Press round down and back until base of round touches rear flat edge of

magazine. Place next round on top of previous round and press down and back. Repeat until magazine is loaded, but do **NOT** exceed its capacity. For magazine capacity, see Section 2—Main Features.

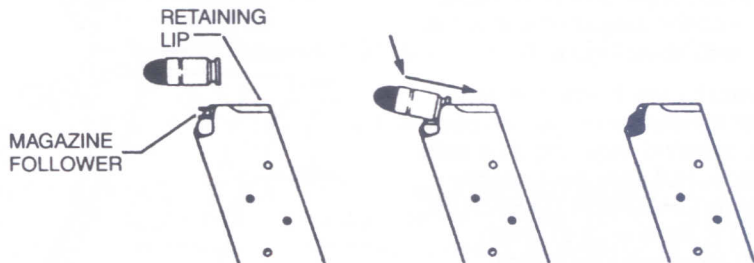


FIGURE 3—LOADING MAGAZINE



CAUTION: TO MINIMIZE RISK OF UNINTENTIONAL DISCHARGE, LOAD LIVE AMMUNITION INTO PISTOL ONLY WHEN YOU ARE ABOUT TO SHOOT.



To Load The Pistol

1. **CAUTION:** READ SAFETY INSTRUCTIONS (Section 3)—KEEP PISTOL POINTING IN SAFE DIRECTION AND DO NOT TOUCH THE TRIGGER.

SAFETY DEPENDS ON YOU

2. Remove magazine from pistol. Place your hand under magazine to prevent it from falling. Press magazine catch (located on left of pistol behind trigger guard) to drop the magazine out of the magazine well. (See Figure 4).

3. Hold pistol by stock with one hand. Keep other hand clear of ejection port and grasp serrated finger grips on both sides of slide. Pull slide back slightly and **LOOK IN CHAMBER TO ENSURE IT IS EMPTY**; allow slide to return forward. (If slide was fully to rear, release cocked hammer by squeezing trigger after ensuring chamber is empty).

4. Insert loaded magazine into magazine well with bullets pointing forward. Push magazine fully "home" until magazine catch is heard to "click" locking in place.

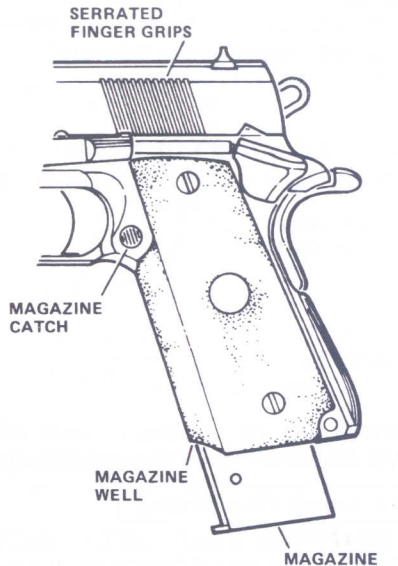


FIGURE 4—MAGAZINE PARTIALLY INSERTED

IMPORTANT: Do not strike base of magazine to drive it home—just push it firmly into pistol. Otherwise, you could damage magazine and injure your hand.

5. When you are ready to shoot, grip the slide as described in Step 3 and pull it fully rearward to cock the hammer. Release slide to feed a round from the magazine into the chamber. **THE PISTOL IS NOW LOADED, COCKED AND READY TO FIRE.**

6. Apply slide lock safety by pushing it up to prevent the hammer falling forward if trigger is moved.



CAUTION: NEVER LEAVE PISTOL COCKED AND READY TO FIRE (as in Step 5) as this condition is extremely dangerous; pistol could easily be accidentally discharged, causing injury, death, or damage to property.

CARRYING MODES

NOTE: This pistol may be carried in any one of the following three modes according to your needs:

Mode 1: — MAGAZINE EMPTY, CHAMBER EMPTY.

— Pistol cannot be discharged.

— Use Mode 1 for storage, transporting, cleaning, repair, demonstrating and dry practice.

Mode 2: — MAGAZINE LOADED, CHAMBER EMPTY, HAMMER DOWN.

— Pistol cannot be fired until slide is cycled and trigger is squeezed.

— Use Mode 2 when CARRYING THE PISTOL READY FOR USE.

Mode 3: — MAGAZINE LOADED, CHAMBER LOADED, HAMMER COCKED, SAFETY ON.

— Pistol can be fired when slide lock safety is off and trigger is squeezed.

— Use Mode 3 when you **MUST BE PREPARED** to use the pistol **IMMEDIATELY** without warning.



WARNING: When *you* squeeze the trigger, *you* must expect the gun to fire, and *you* must take full responsibility for firing it. *Your* care can avoid accidental discharge, and you will thereby avoid accidental injury and death.

UNLOADING

CAUTION: ALWAYS UNLOAD YOUR PISTOL IMMEDIATELY AFTER USE AND BEFORE CLEANING AND STORAGE to minimize the risk of accidental discharge.

To Unload

1. Be sure you are familiar with Safety Instructions in Section 3. **Keep pistol pointing in a safe direction, do not touch trigger and always keep hands away from muzzle and ejection port.**
2. Place hand under magazine to prevent it from falling and press magazine catch to release and eject magazine.

NOTE: If slide is fully rearward, Step 3 does not apply.

3. Using serrated finger grips pull slide sharply rearward to extract and eject a round from the chamber. Keep your hands clear of the ejection port to allow round to eject without obstruction. Examine previously chambered round for dents or other damage; if damaged, dispose of it as explained in Paragraph 7.



4. CAUTION: KEEP PISTOL POINTING IN A SAFE DIRECTION WHILE YOU LOOK IN THE CHAMBER TO ENSURE IT IS EMPTY AND SEE THAT MAGAZINE HAS BEEN REMOVED.

5. Keep pistol pointing in a safe direction, allow slide to return forward on empty chamber and squeeze the trigger to allow hammer to fall forward. (If slide is held to rear by the slide stop, pull slide back slightly, then release it).
6. Remove remaining live rounds by sliding them forward out of the magazine.
7. Collect undamaged live ammunition for safe storage and future use. Collect spent cartridge cases for disposal. Segregate misfired and damaged live ammunition for disposal according to ammunition manufacturer's instructions.

Colt Accro Adjustable Rear Sight

Directional arrows alongside the windage and elevation screws tell you how to make adjustments in the proper direction. Adjustments for other than windage and elevation should not be made by inexperienced shooters.

With a target at 50 yards, adjusting the **windage screw** one click to the **right (clockwise)** will move the sight to the **LEFT** and the point of bullet impact 1 inch to the **LEFT**. One click of the **elevation screw** to the **right (clockwise)** will move the sight **DOWN** and point of bullet impact of bullet impact $\frac{3}{4}$ **inch DOWN**.

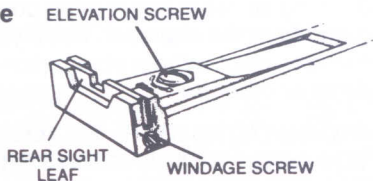


FIGURE 5—COLT ACCRO REAR SIGHT

FIRING

Before firing your Colt pistol, practice your stance, aim, rhythm and breathing for steady aim with your pistol UNLOADED.

Practice firing on a range before going hunting or using your pistol for any other type of shooting.



CAUTIONS:

- 1. ALWAYS WEAR AND ENCOURAGE OTHERS TO WEAR EAR PROTECTION WHEN SHOOTING, especially on a range. Without ear protection, the noise of just one round from your pistol, and other guns close to you, could leave a “ringing” in your ears for some time after firing, while the cumulative long term effect could be permanent hearing loss.**
- 2. ALWAYS WEAR AND ENCOURAGE OTHERS TO WEAR PROTECTIVE SHOOTING GLASSES. Flying particles could damage eyes and cause blindness; but protective shooting glasses should prevent such injury.**



To Fire

1. CAUTION: READ SAFETY INSTRUCTIONS (Section 3)—KEEP PISTOL POINTING IN SAFE DIRECTION AND DO NOT TOUCH THE TRIGGER.

2. Load pistol as previously described.

3. Grasp pistol by stock and, with index finger resting along the outside of trigger guard, take aim. Aim by aligning target with front and rear sights. (See Figure 6) After identifying your target and seeing that it is clear to shoot, focus on the front sight. Be sure you have a safe backstop. **THINK!** What will you **HIT** if you **MISS** the target?

4. Release Slide Lock Safety by pressing it down out of engagement with slide lock notch.

5. Keeping steady aim, place index finger on trigger and squeeze gently until hammer falls. Don't jerk the trigger as you

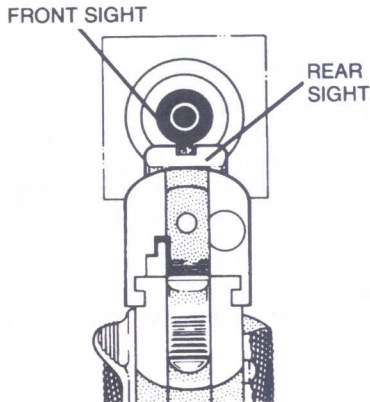


FIGURE 6—AIMING

will disturb your aim and spoil your accuracy. To fire the second and subsequent rounds, all that is necessary is to release the trigger and squeeze it again after every shot until you have completed firing.

6. THIS IS A SEMI-AUTOMATIC PISTOL AND IS IMMEDIATELY LOADED AND COCKED READY TO FIRE AGAIN AFTER EACH SHOT UNTIL THE MAGAZINE IS EMPTY.

NOTE: This pistol can be fired without a magazine in place.

7. Release trigger, remove index finger from trigger, and apply Slide Lock Safety by pushing it up into the slide lock notch. However, if you have fired the last round from the magazine the slide will stay to the rear and you will be unable to apply the Slide Lock Safety.



CAUTION: IF PISTOL FAILS TO FIRE, HOLD IT, KEEPING IT POINTED TOWARD THE TARGET OR SAFE OPEN AREA AND WAIT 30 SECONDS. If a hangfire (slow ignition) has occurred, round will fire within 30 seconds. If round does not fire, remove magazine, eject round and examine primer. If firing pin indent on primer is light, off center or nonexistent, have pistol examined by a competent gunsmith before firing again. If firing pin on primer appears normal (in comparison with similar previously fired rounds) assume faulty ammunition; segregate misfired round from other live ammunition and empty cases; reload and carry on firing.

SAFETY DEPENDS ON YOU

NOTE: Dispose of misfired rounds in accordance with the ammunition manufacturer's instructions



8. CAUTION: KEEP PISTOL POINTING IN A SAFE DIRECTION. Unload as previously described.

IMPORTANT: If you cock your pistol but do not fire it, apply Slide Lock Safety until ready to fire. If you lose the opportunity to fire, unload your pistol as previously described. Remember, if a round is in the chamber there is a risk of accidental discharge.



CAUTION: NEVER LEAVE PISTOL COCKED READY TO FIRE as the fire condition is extremely dangerous, and pistol could easily be accidentally discharged causing injury, death, or damage to property.

Like any other precision mechanism, your pistol will function better, last longer, and remain safer when it is properly maintained. Follow the advice in this section to keep your pistol in peak condition. Keep your pistol clean and properly lubricated to prolong its reliable life.

**CAUTIONS:**

- 1. ENSURE THAT MAGAZINE IS REMOVED AND THE PISTOL IS NOT LOADED BEFORE STRIPPING AND CLEANING, so that pistol will not fire.**
- 2. WEAR SAFETY GLASSES in case you lose control of some spring loaded component such as the recoil spring or plug which could injure your eyes.**
- 3. NEVER DRY FIRE THE PISTOL WHEN THE SLIDE IS REMOVED FROM THE RECEIVER, and do not alter parts as the level of safety could be reduced.**

NOTE: Force is unnecessary and should never be used to strip or assemble your pistol.

STRIPPING FOR CLEANING

There are some differences between the Officer's ACP, Compact, Colt Defender and other Colt pistols which makes it necessary to identify them separately in the following procedure.

A = Government Model, Delta Elite, Combat Elite, Combat Target, Commander Models and M1991A1 models other than those listed as **B** or **C**.

B = Officer's ACP and Compact.

C = Colt Defender.

1. (**A, B & C**) Ensure magazine is removed and pistol is NOT loaded. Be sure you are familiar with the Safety Instructions in Section 3.

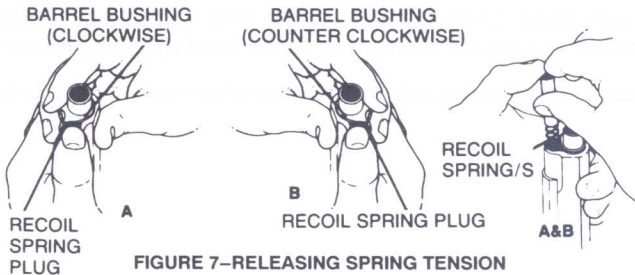


FIGURE 7—RELEASING SPRING TENSION
SAFETY DEPENDS ON YOU

2. **(A & B)** With muzzle pointing upward, rest pistol on heel of butt and “grip safety” on a table or bench.

2. **(C)** Go to step 4.



CAUTION: THE SPRINGS ARE STRONG AND COULD FLY OUT AND INJURE OR EVEN BLIND SOMEBODY if they are not handled with care.

3. **(A)** Push slide back about $\frac{1}{4}$ inch, press down on recoil spring plug (located just below muzzle) and at same time rotate barrel bushing **clockwise** about $\frac{1}{4}$ turn, using barrel bushing wrench if necessary; this will free plug and recoil spring. Keep pressure on plug to prevent it being ejected by the spring, then allow plug and spring to gradually extend out of the slide. (See Figure 7).

Rotate plug counterclockwise and remove from spring.

NOTE: There are 2 recoil springs in the Officer's ACP, Compact and Delta Elite, one spring inside the other.

3. **(B)** Press down on recoil spring plug (located just below muzzle) and at same time rotate barrel bushing **counterclockwise** about $\frac{1}{4}$ turn (See Figure 7); then pull bushing forward and out. Using a screwdriver, push the recoil spring plug in and turn it about $\frac{1}{2}$ turn to left or right. (See Figure 8). Control the spring force as you carefully allow the plug and two recoil springs to extend out of the slide. Remove plug from springs. (See Figure 7).

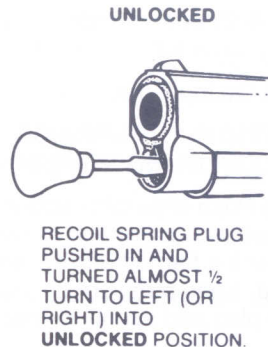
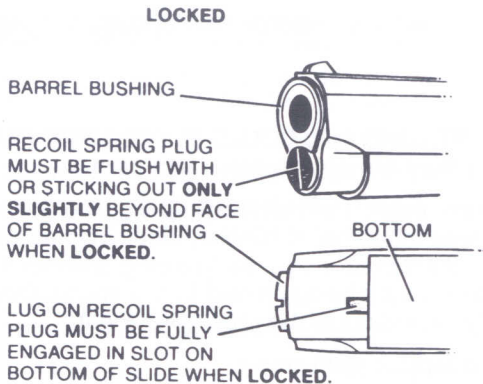


FIGURE 8—OFFICER'S ACP RECOIL SPRING PLUG LOCKED AND UNLOCKED

4. **(A, B & C)** Cock hammer by pulling back on hammer spur.
5. **(A, B & C)** Pull slide to rear until lug on slide stop is opposite disassembly notch (See Figure 9) and push rounded end of pin of slide stop (on right of receiver) inward and through receiver to disengage slide stop from slide.

6. **(A, B & C)** Lift out slidestop.
(See Figure 9).
7. **(A, B & C)** Push slide forward off the receiver.
8. **(A & B)** Lift recoil springs and guide and pull them rearward out of slide. (See Figure 10).
8. **(C)** Compress and remove recoil spring assembly, then separate outer spring from it. Lift out recoil spring bushing; See Figure 11.
9. **(A)** Turn barrel bushing counterclockwise, push barrel and barrel bushing forward until bushing is clear of slide, then remove bushing from barrel.

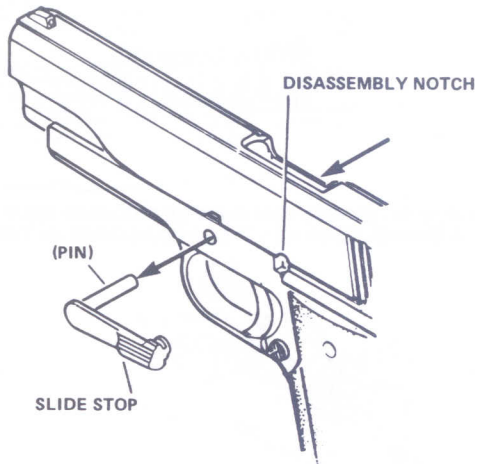


FIGURE 9—REMOVING SLIDE STOP

9. **(B)** No action; proceed to step 10. (Barrel bushing was removed at step 3B).
10. **(A, B & C)** Push link forward and remove barrel from slide.

SAFETY DEPENDS ON YOU

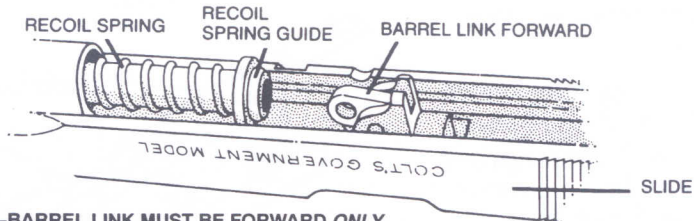


FIGURE 10—BARREL LINK MUST BE FORWARD ONLY FOR BARREL TO BE REMOVED AND ASSEMBLED THROUGH THE SLIDE.

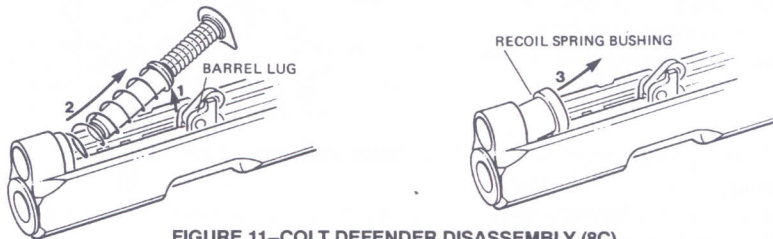


FIGURE 11—COLT DEFENDER DISASSEMBLY (8C)

IMPORTANT: Do not strip your pistol further than previously described. Do not remove or alter parts, particularly safety parts. If additional maintenance is required, see "Service and Repair" later in this instruction manual.

ASSEMBLING AFTER CLEANING

Remember:

A = Government Model, Delta Elite, Combat Elite, Combat Target, Commander Models and M1991A1 models other than those listed as **B** or **C**.

B = Officer's ACP and Compact.

C = Colt Defender.

1. **(A & B)** With slide upside down and barrel link forward, assemble barrel into the slide, as in Figure 10.
2. **(A only)** (See Figure 12). Place barrel bushing over muzzle of barrel and into slide until it is flush with the face of the slide, (STEP 1). Turn bushing clockwise as far as it will go, (Step 2).
3. **(A & B)** Place the recoil guide into the recoil spring/s so that the closed end of the spring/s are up against the collar of the guide.

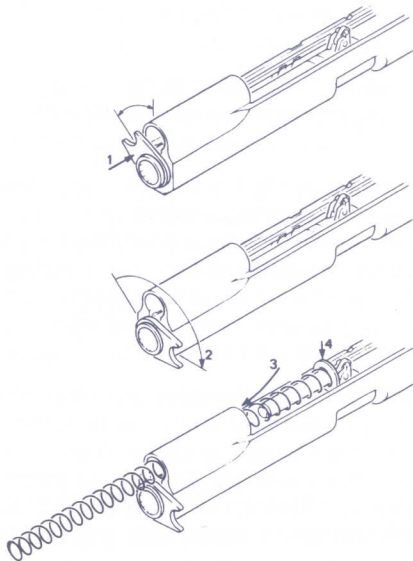


FIGURE 12—INSTALLING BARREL BUSHING AND RECOIL SPRING/S.

Note: Officer's ACP, Compact and Delta Elite have two (2) recoil springs—most other Colt pistols have only one.

Assemble the recoil spring/s and guide into the slide by pushing the open end of the spring/s through the slide from the rear, (STEP 3). Position the arched portion of the recoil spring guide over the outside surface of the barrel, (Step 4).

3. **(C only)** Flip **barrel link** back. Insert recoil spring **bushing** into slide. Insert the **recoil spring assembly** into the *closed end* of the **outer recoil spring** and slide the outer spring down the length of the recoil spring assembly. Insert the whole assembly into the recoil spring **bushing**. Push forward and down against the recoil spring and seat them into the recoil bushing until the cap of the **recoil spring assembly** is located against the front of the **barrel lug**. Be careful not to let them fly out of control; See Figure 13.

NOTE: Colt Defenders are different in some ways. (It is illustrated at Figure 19). For example a number of items are combined into a recoil spring assembly. There is one spring captured on the guide rod. A removable outer spring slides over the assembly. There is no barrel bushing and the magazine follower is slightly different; the sights are not illustrated. Other differences can be seen in the grip safety, safety lock, grip and three hole trigger.

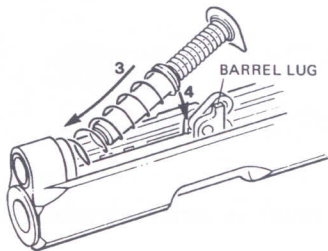
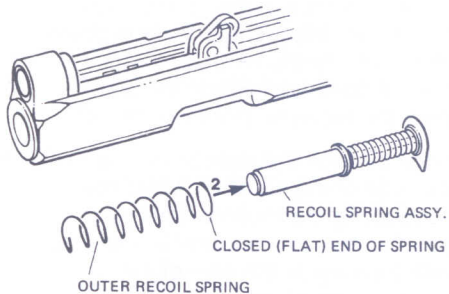
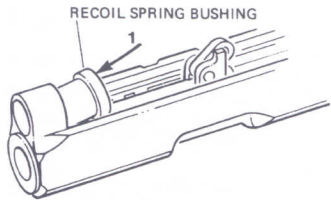


FIGURE 13—COLT DEFENDER ASSEMBLY

SAFETY DEPENDS ON YOU

4. **(A, B & C)** Cock the hammer. Look at the top of the receiver and make sure the plunger lever is down (forward), tip the receiver forward to keep it down as you run the slide onto the receiver; (See Figure 14).

Look through the slide stop hole in the side of the receiver. Move the slide along the receiver until you see the hole in the barrel link line up with the hole in the side of the receiver. Insert the slide stop through the hole until it is almost home; (See Figure 15).

Continue pushing the slide rearward until the disassembly notch lines up with the rear part of the slide stop. Now push the slide stop up and in against the slide stop plunger until the slide stop is fully home.

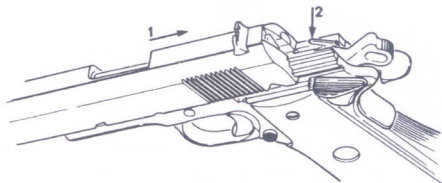


FIGURE 14—INSTALLING SLIDE

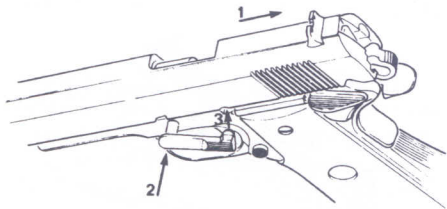


FIGURE 15—INSTALLING SLIDE STOP

5. **(A & B)** Rest pistol on table or bench with muzzle pointing upward.

6. **(A only)** Push slide back about $\frac{1}{4}$ inch, press down on recoil spring plug, compressing the recoil spring into the slide until the plug is fully home, then rotate the barrel bushing. Align the arched part of the bushing so that it straddles the recoil spring plug and locks it in place.

6. **(B only)** Place recoil spring plug over end of recoil springs. Align lug on recoil spring plug with access slot in slide and push the plug into the slide using a screwdriver. Now turn the plug $\frac{1}{4}$ turn until the lug on the plug locks into the locking slot on the bottom of the slide.

Install the barrel bushing over the recoil spring plug and into the slide. Press down on the recoil spring plug and at the same time rotate the barrel bushing clockwise about a $\frac{1}{4}$ turn to lock it over the plug, (See Figure 7, page 34).

Finally, while the pistol is still empty (unloaded), check that the recoil spring plug is correctly seated and locked. To do so, (See Figure 8, page 36) note that the recoil spring plug must be flush with, or protruding only slightly beyond, the face of the barrel bushing when the screwdriver slot is vertical.

Double check by looking at the bottom of the slide, just in front of the receiver, to ensure the lug on the recoil spring plug is fully seated in its slot on the slide.



CAUTION: YOU COULD DAMAGE YOUR PISTOL WHEN YOU FIRE, OR ATTEMPT TO FIRE IF THE RECOIL SPRING PLUG IS NOT CORRECTLY SEATED AND LOCKED AS DESCRIBED ABOVE.

7. (A, B & C) After assembling the pistol, check its function as follows:

Remove Magazine. Pull the slide back fully and let it go. It should fly forward and close over the **empty chamber**. The hammer should stay cocked. Push the safety up and squeeze the trigger. The hammer should stay cocked. Push the safety down and squeeze the trigger. The hammer should fall. Pull the hammer back slightly without touching the trigger. You should hear a click as the sear slips on to the safety shelf. Lower the hammer to engage the safety shelf. Now squeeze the trigger again and note that the hammer falls forward off the safety shelf.

Insert an **empty magazine**. Pull the slide back fully and let it go. It should NOT fly forward. Look into the ejection port at the front face of the slide. Make sure the firing pin is not sticking through the hole.* Hold the slide, push down on the slide stop and ease the slide fully forward. Put your thumb on the hammer, squeeze the trigger and ease the hammer forward.

*** If you find the firing pin sticking forward or if your pistol discharges when you close the slide, do not use it. Return it to the Colt factory.**

IMPORTANT: Do these checks **only** after you strip and assemble the pistol. **Do not** slam the slide forward at any other time, except when loading. If you exercise the slide, control it with your hand.



CAUTION: WHILE UNLIKELY, IT IS POSSIBLE THE FIRING PIN MAY STICK FORWARD. IF YOU FIND IT STICKING FORWARD, DO NOT LOAD OR ATTEMPT TO FIRE THE PISTOL. If you attempt to close the slide on a loaded chamber when the firing pin is sticking forward, the pistol may discharge.

WHEN TO CLEAN

You should clean your pistol as soon after firing as possible so that the job will be easier and there will be less opportunity for corrosion to start. When your pistol has not been fired, clean it periodically; we suggest once or twice a year in a temperate climate, or as often as once a month in a tropical climate. If you carry a loaded pistol, UNLOAD it and clean it at least once a month. If you get your pistol wet, clean it as soon as possible.

HOW TO CLEAN AND LUBRICATE

The following cleaning procedure may be used both periodically and after firing; however, those items marked “*” are unnecessary for periodic cleaning.

Materials: Cleaning rod, cotton flannel patches (cut to fit snugly into the bore), a small toothbrush, good quality light gun oil, *gun cleaning solution, and *a brass wire bristle bore cleaning brush.

NOTE: In freezing conditions (below 32°F or 0°C) avoid the use of oil for lubrication; instead apply dry lubricant sparingly.

Procedure

 **1. CAUTION: ENSURE THAT THE PISTOL IS NOT LOADED.**

2. Strip for cleaning as previously described.

NOTE: Avoid contact between cleaning rod and muzzle as resultant wear will reduce accuracy. To avoid damaging the muzzle always clean from breech end forward.

3. Attach cotton flannel patch to end of cleaning rod, insert it in breech and pass rod and patch down through barrel. Repeat, changing patches until last patch comes out clean.

4. Visually inspect barrel; if it is clean, proceed directly to step 7, but if it remains dirty, continue with step 5.

5. *(**NOTE:** This item should be applicable only after firing). Attach brass wire bristle brush to cleaning rod and dip brush in gun cleaning solution. Thoroughly scrub out barrel, passing the brush all the way through before reversing the

movement. If you try to change direction with brush in barrel, the brush will stick.

6. Repeat steps 3 and 4.

7. Clean rear face of barrel and face of slide, using a small toothbrush. On Officer's ACP models, also clean the lug on recoil spring plug and its locating slot in lower part of the receiver. (See Figure 8).

8. Lightly moisten a flannel patch with gun oil and pass it once through barrel, leaving a thin film of oil on the inside surface. Leave this film of oil on the inside surface if pistol is to be stored. If it is not to be stored, or if it is being removed from storage for use, pass a dry patch through the barrel to remove as much oil as possible.

9. Check that flannel or brush bristles have not become lodged in any part of the pistol. Wipe all the metal surfaces you can reach with a flannel patch lightly moistened with gun oil. Be sure to wipe the rails inside the slide and the rails on the receiver. Wipe the barrel on the outside surface. Wipe the barrel bushing area. Put one small drop of oil in each of the locking grooves in the slide. Put one small drop of oil on the hammer pivot pin, the barrel link pin and the sear pivot pin. Movement of the slide should distribute sufficient oil to other areas within the pistol. Wipe away any excess oil. (See **NOTE** on cold weather lubrication).

10. Reassemble pistol as previously described.

SAFETY DEPENDS ON YOU

11. Again wipe external surfaces with oil moistened patch to remove any finger prints. (Finger moisture, if left, could start corrosion process). (See **NOTE** on cold weather lubrication).

12. Remove any gun cleaning solution and oil from the stock.

CLEANING THE MAGAZINE

It is advisable to clean the magazine(s) whenever the pistol is cleaned. To do so, remove the magazine follower and spring and clean all components, taking care to remove carbon deposits from the lips of the magazine and the magazine follower. Wipe components with lightly oiled cloth and reassemble.

The 10mm and 40 S&W magazines are disassembled from the bottom while magazines for most other calibers are disassembled from the top.

10mm and 40 S&W Caliber Magazines (See Figure 16)

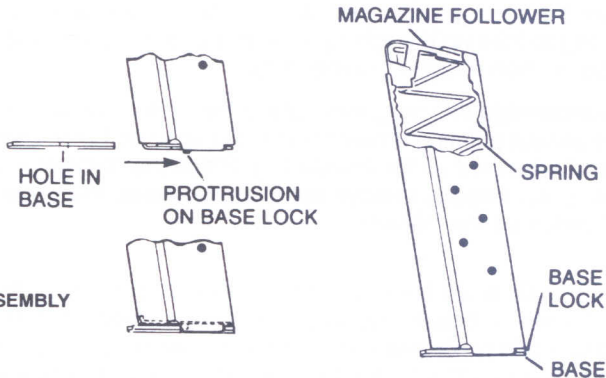
The 10mm and 40 S&W magazines have a removable base.

To remove the base, push in the base lock which sticks out through a hole in the base, and slide the base off towards the front of the magazine. Then remove the base lock by sliding it towards the front of the magazine.

The spring and follower can now be removed through the bottom of the magazine.

To assemble this magazine, insert the follower and spring through the bottom of the magazine. Be sure that the top coil of the spring is installed towards the front of the magazine. Compress the spring and slide the base lock under the two tabs on the bottom of the magazine. Depress the base lock and slide the base under the two tabs and towards the rear of the magazine. Carefully align the protrusion on the base lock with the hole in the base until the base lock sticks out through the hole.

FIGURE 16—MAGAZINE ASSEMBLY WITH REMOVABLE BASE



Magazine For Most Other Calibers

(See Figure 17)

To remove this magazine follower and spring, depress them with a piece of wood (pen or pencil) about two inches into the magazine and insert a thin rod (small screwdriver) through the lower of the front two holes in the magazine body. This will hold the spring under tension.

Turn the magazine upside down and lightly tap it so that the follower falls away from the spring; lift out the follower from the magazine body. Push down on the spring to take up the spring tension, remove the thin rod and allow the spring to extend, then remove it completely.

To assemble this magazine, place the spring correctly oriented, i.e. with loop uppermost pointing forward into the magazine body, compress the spring and insert a thin rod as for dismantling. Place the follower in the magazine take up the spring tension, remove the thin rod and allow the spring to reassert its influence on the follower.

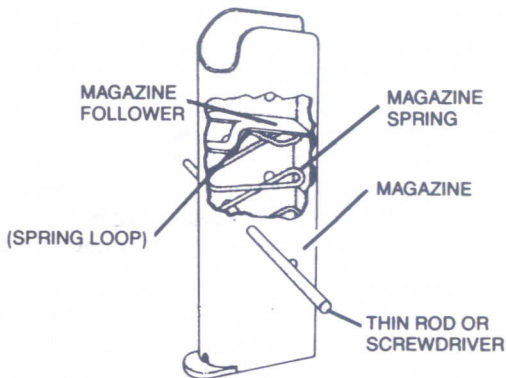



FIGURE-17 MAGAZINE ASSEMBLY WITHOUT REMOVABLE BASE

STORAGE

 **CAUTION:** ALWAYS UNLOAD YOUR PISTOL FOR STORAGE AND STORE AMMUNITION SEPARATELY. Keep and store your pistol and ammunition securely locked and in separate locations out of reach and sight of children. (Children are naturally curious and do not always believe the real danger of guns).

SAFETY DEPENDS ON YOU

NOTE: Remove your pistol from its holster at the end of the day. Do not store your pistol in an air-tight container, and do not seal or attempt to seal the barrel to exclude dust, as the internal steel surface is more likely to corrode. Use the Colt packaging case, with a padlock on it to store your EMPTY pistol.

SERVICING AND REPAIR

Should your pistol require adjustment or repair, make sure it is **NOT LOADED** and send it to Colt's. For spare parts, seek advice from the Dealer who should have up-to-date information on how best to obtain genuine Colt parts.

An illustration and list of part names are included in the next section of this instruction manual to help you identify the part you need, but it is important to note that all parts are not available for sale. Those parts which are available should be installed by Colt's or by a competent gunsmith. When ordering parts, please give part name as given on the Parts List. Also give the caliber, model name, serial number and metal finish of your pistol, i.e., whether blue, nickel or stainless steel.

IMPORTANT: If you make unauthorized adjustments or use unauthorized parts, Colt will not assume responsibility for the functioning of this pistol.

THIS GUN IS MANUFACTURED TO PERFORM PROPERLY WITH THE ORIGINAL PARTS AS DESIGNED. IT IS YOUR DUTY TO MAKE SURE ANY PARTS YOU BUY ARE INSTALLED CORRECTLY AND THAT NEITHER REPLACEMENTS NOR ORIGINALS ARE ALTERED OR CHANGED. That is why we say return it to Colt. YOUR GUN IS A COMPLEX TOOL WITH MANY PARTS THAT MUST RELATE CORRECTLY TO OTHER PARTS. PUTTING A GUN TOGETHER WRONG OR WITH MODIFIED PARTS CAN RESULT IN A DAMAGED GUN, DANGER, AND INJURY OR DEATH TO YOU AND OTHERS THROUGH MALFUNCTION. ALWAYS LET A QUALIFIED GUNSMITH WORK ON YOUR GUN AND CHECK ANY WORK YOU THINK WAS NOT PERFORMED BY A GUNSMITH. We at Colt think this is a small price to pay for firearms safety.

NOTE: Various Federal and State laws and local ordinances govern the transfer and transportation of firearms, so take the advice of the Dealer in your state on how to send your firearm to Colt. Before shipping your pistol, here are some important points to remember:

 **1. CAUTION: MAKE SURE THAT THE MAGAZINE AND PISTOL ARE NOT LOADED.**

2. Write a letter explaining the problem and your requirements in as much detail as possible. Include the model name and serial number of your pistol together with your return address, then enclose it with the empty pistol in the Colt packaging case or a well padded package.
3. Do not send presentation boxes, accessories or ammunition.
4. Colt's address for receiving packages is: CMCI
Talcott Road
West Hartford
CT 06110
5. Do not indicate the contents, or include "COLT" in the address on the package so that an inquisitive thief is not attracted to it by such information.
6. Insure the package contents against loss or theft.

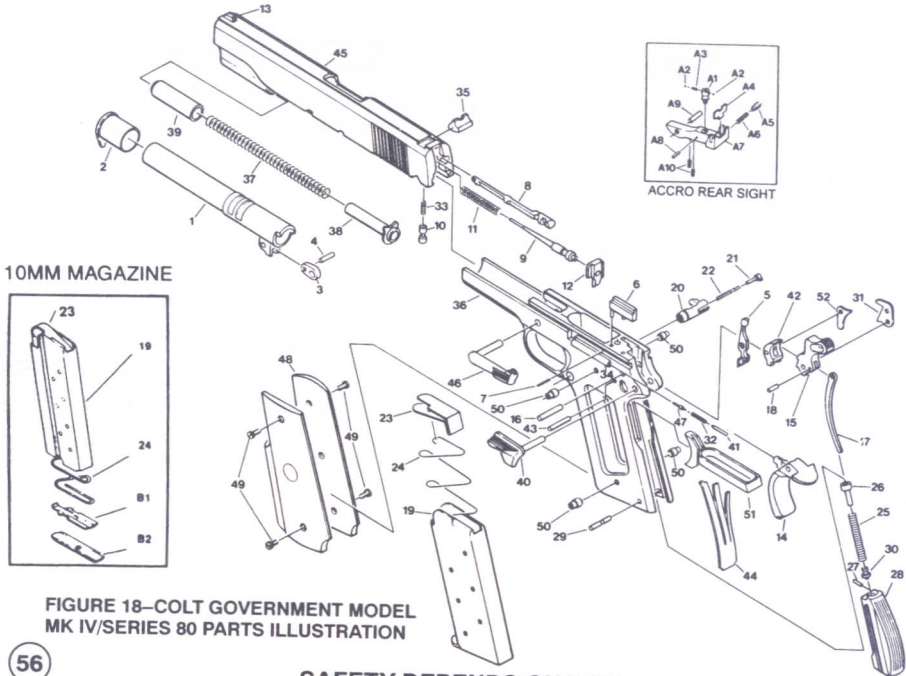
SECTION 6

PARTS ILLUSTRATIONS AND LISTS

This section is provided so that you may identify names of parts for your own interest. However, for adjustment, repair, or spare parts information, see Section 5, "Servicing and Repair."

See pages 56 and 58 for illustrations.

See pages 57 and 59 for description of parts.



MK IV/SERIES 80 DESCRIPTION

1. Barrel
2. Barrel Bushing
3. Barrel Link
4. Barrel Link Pin
5. Disconnecter
6. Ejector
7. Ejector Pin
8. Extractor
9. Firing Pin
10. Firing Pin Plunger
11. Firing Pin Spring
12. Firing Pin Stop
13. Front Sight
14. Grip Safety
15. Hammer
16. Hammer Pin
17. Hammer Strut
18. Hammer Strut Pin
19. Magazine Assembly
20. Magazine Catch
21. Magazine Catch Lock
22. Magazine Catch Spring
23. Magazine Follower
24. Magazine Spring
(see insert)
25. Main Spring
26. Main Spring Cap
27. Main Spring Cap Pin
28. Main Spring Housing
(arched)
29. Main Spring Housing Pin
30. Main Spring Housing Pin
Retainer
31. Plunger Lever
32. Plunger Spring
33. Plunger Spring F/P
34. Plunger Tube
35. Rear Sight
36. Receiver
37. Recoil Spring
(2 different springs for
OFFICER'S ACP or
DELTA ELITE)
38. Recoil Spring Guide
39. Recoil Spring Plug
40. Safety Lock
41. Safety Lock Plunger
42. Sear
43. Sear Pin
44. Sear Spring
45. Slide
46. Slide Stop
47. Slide Stop Plunger
48. Stock Set
49. Stock Screw (4)
50. Stock Screw Bushing (4)
51. Trigger Assembly
52. Trigger Bar Lever
- A1. Rear Sight Elevation
Screw
- A2. Rear Sight Detent
Ball (2)
- A3. Rear Sight Detent Spring
- A4. Rear Sight Leaf
- A5. Rear Sight Windage
Screw
- A6. Rear Sight Windage
Spring
- A7. Rear Sight Blade
- A8. Rear Sight Elevation
Screw Pin
- A9. Rear Sight Leaf Pin
- A10. Rear Sight Elevation
Springs (2)
- B1. Magazine Base Lock
- B2. Magazine Base

SAFETY DEPENDS ON YOU

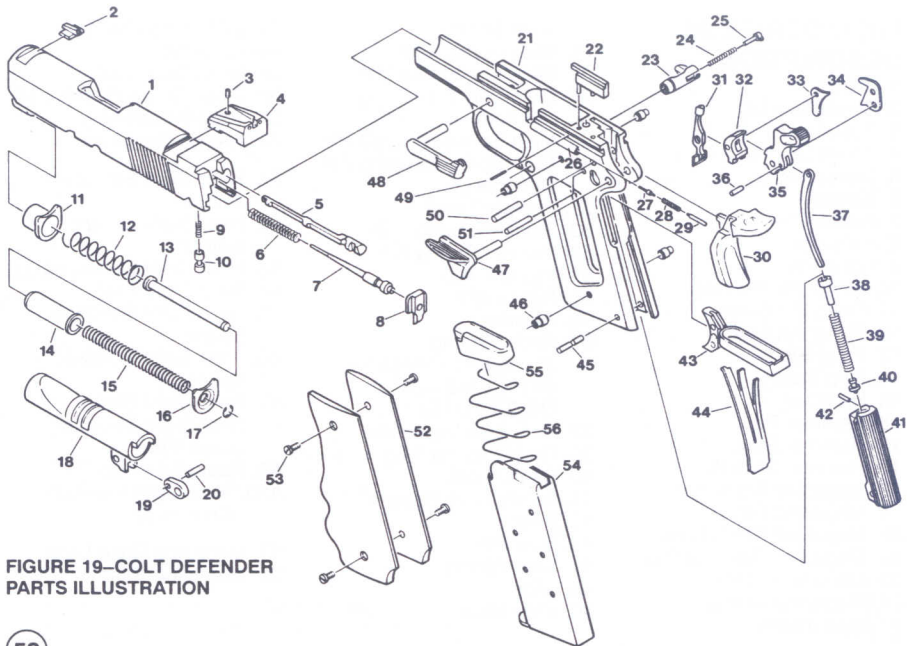


FIGURE 19—COLT DEFENDER
PARTS ILLUSTRATION

COLT DEFENDER DESCRIPTION

1. Slide
2. Front Sight
3. Rear Sight Screw
4. Rear Sight
5. Extractor
6. Firing Pin Spring
7. Firing Pin
8. Firing Pin Stop
9. Plunger Spring F/P
10. Firing Pin Plunger
11. Recoil Spring Bushing
12. Outer Recoil Spring
13. Recoil Spring Guide Rod
14. Recoil Spring Cap
15. Inner Recoil Plunger
16. Recoil Spring Cap
17. Recoil Cap Retainer
18. Barrel
19. Barrel Link
20. Barrel Link Pin
21. Receiver
22. Ejector
23. Magazine Catch
24. Magazine Catch Spring
25. Magazine Catch Lock
26. Plunger Tube
27. Slide Stop Plunger
28. Plunger Spring
29. Safety Lock Plunger
30. Grip Safety
31. Disconnecter
32. Sear
33. Trigger Bar Lever
34. Plunger Lever
35. Hammer
36. Hammer Strut pin
37. Hammer Strut
38. Main Spring Cap
39. Main Spring
40. Housing Pin Retainer
41. Main spring Housing
42. Main Spring Cap Pin
43. Trigger Assembly
44. Sear Spring
45. Main Spring Housing Pin
46. Stock screw Bushing (4)
47. Safety Lock
48. Slide Stop
49. Ejector Pin
50. Hammer Pin
51. Sear Pin
52. Stock Set
53. Stock Screw
54. Magazine
55. Magazine Follower
56. Magazine Spring

Our Colt Custom Shop offers a wide range of special services such as engraving, inlaying and special serializing to the same high standard of quality long synonymous with the name "COLT". Sometimes modifications, which meet our customer's special requirements, necessitate deviations from standard design and manufacturing tolerances which result in functional differences from a standard gun. Consequently, this instruction manual does not apply to a customized gun unless its applicability has been confirmed by the Colt Custom Shop. For further information, write to Colt Custom Shop, P.O. Box 1868, Hartford, Connecticut 06114-1868, USA.

CONVERSION UNITS... IMPORTANT. If you purchase a Colt 22, 9mm or other caliber Conversion Unit NOTE that only a Colt Series 80 Conversion Unit is compatible with a series 80 pistol. Do NOT install an incompatible Conversion Unit on a Series 80 pistol because the combination may render the firing pin safety inoperable. If in doubt get advice from Colt.

FIREARM RECORD

Colt Model _____

Serial No. _____

Caliber _____

Purchased
from _____

Date
Purchased _____

Purchase
Price _____

If your instruction manual becomes lost or destroyed, obtain a replacement by writing to **Colt's Manufacturing Company, Inc., Box 1868, Hartford, Connecticut 06144-1868 USA** or call **1-800-962-COLT**. Make a note of the address. When requesting a manual, include the information which is on the left side of your firearm together with its serial number or quote the Part No. as shown on the back cover of this manual.



, the Rampant Colt figure, Government Model®, Commander®, Officer's ACP® and all other Colt trademarks are the exclusive property of Colt's Manufacturing Company, Inc. For permission to reprint for noncommercial instructional purposes, prior approval from Colt's is required.

This instruction manual should always accompany this firearm. When you lend, give or sell this firearm, be sure this manual goes with it.



Avvertimento Italiano

Se c'è qualcosa che non riuscite a capire, rivolgetevi a qualcuno che sia qualificato nel maneggiare in maniera sicura le armi da fuoco.

Advertencia en Español

Para cualquier aclaración de esta manual, consulte con alguna persona perita en el manejo seguro de armas de fuego.

Message Seculaire en Francais

Pour tous renseignements complementaires, veuillez consulter un armurier qualifie dans le manieiment de cesarmes.

Deutsche Sicherheitshinweise

Sollten Sie noch weitere Fragen haben, wenden Sie sich bitte an einen Waffenspezialisten.

FUNDAMENTAL NRA RULES FOR SAFE GUN HANDLING

- 1. ALWAYS KEEP THE GUN POINTED IN A SAFE DIRECTION.**
- 2. ALWAYS KEEP YOUR FINGER OFF THE TRIGGER UNTIL READY TO SHOOT.**
- 3. ALWAYS KEEP THE GUN UNLOADED UNTIL READY TO USE.**