

INSTRUCTION MANUAL

CZ 550



ČESKÁ ZBROJOVKA

Before handling the firearm read this manual carefully and observe the following safety instructions.

Improper and careless handling of the firearm could result in unintentional discharge and could cause injury, death, or damage to property. The same consequences can be caused by any unauthorized modifications or adjustments, corrosion, or use of non-standard or damaged ammunition. In these cases the manufacturer shall not be responsible in any manner whatsoever for the resultant consequences.

Before leaving the factory this firearm was tested, carefully inspected, and packed. CZ cannot accept responsibility for product handling while in transit, or upon leaving the factory. Therefore, please examine this rifle carefully at the time of purchase to ensure that it is unloaded and undamaged.

This instruction manual should always accompany the firearm and that even in the case of its loan or sale.

CONTENTS

SAFETY INSTRUCTIONS	20	Sight Adjustment	27
THE CZ 550 RIFLE DESCRIPTION AND TERMINOLOGY	22	Rifle Scope	27
Brief Characterisation of Basic Versions	23	MAINTENANCE INSTRUCTIONS	28
OPERATING INSTRUCTIONS	25	Stripping for Cleaning - Disassembly	28
Ammunition	25	Disassembly of the Bolt	28
Magazine Removal	25	Cleaning the Rifle	28
Magazine Loading	25	Cleaning the Barrel Bore and the Cartridge Chamber	29
Loading of the Rifle	25	Cleaning of Other Rifle Parts	29
Unloading of the Rifle	26	Preserving	29
The Safety and its Operation	26	TROUBLESHOOTING, CAUSES AND REMEDIES	30
Cocking Indicator Operation	26	ILLUSTRATION AND LIST OF PARTS	31
Set-trigger Operation	27	TECHNICAL SPECIFICATIONS	33
Trigger Adjustment	27	LIST OF ILLUSTRATIONS	34

SAFETY INSTRUCTIONS

Always follow the safety instructions for your safety and the safety of others.

1. Always handle your firearm as if it were loaded.
2. Never point your firearm at anything you do not intend to shoot.
3. Never take anyone's word that a gun is unloaded.
4. Always make sure that your firearm is not loaded before laying it down, or handing it to another person.
5. Always store your rifle unloaded with the striking mechanism released.
6. Never abuse your firearm by using it for any purpose other than shooting.
7. Never leave a loaded firearm unattended.
8. Prior to loading the firearm make sure that barrel bore, chamber, and action are clean and clear of obstructions. Clean a dirtied firearm immediately so that it will function properly and safely.
9. Always use only clean, dry, original high quality commercially manufactured ammunition, which is appropriate to the caliber of your rifle.
10. Never drink alcoholic beverages or take drugs before or during shooting.
11. Always wear safety glasses and ear protection during shooting whenever possible.
12. Always keep the safety on when the rifle is loaded with cartridge in the chamber, until you are ready to fire. Keep firearm pointed in a safe direction when disengaging the safety.
13. A rifle with an activated set-trigger should be handed with maximum care, as even jolts during handling operations could cause an unintended discharge.
14. Always keep clear and keep others clear of the ejection port.
15. Never squeeze the trigger or put your finger in the trigger guard until you are aiming at a target and ready to shoot.

16. Always be absolutely sure of your target, and the area behind it, before you squeeze the trigger. A bullet could travel through or past your target up to several hundred meters.
17. Never shoot at a hard surface such as rock, or a liquid surface such as water.
18. Never fire your firearm near an animal unless it is trained to accept the noise.
19. Never indulge in "horseplay" while holding your firearm.
20. Failure to fire: always hold the firearm, keeping it pointed towards the target, or a safe open area and wait 30 seconds when the firearm fails to fire. If a hangfire (slow ignition) has occurred, the round will fire within 30 seconds. If the round does not fire, remove the magazine, eject the round and examine the primer; if the firing pin indent on the primer is light, or off center, or non-existent, have the rifle examined by a competent gunsmith.
21. Always make sure your firearm is not loaded before cleaning, storing or travelling.
22. Always keep and store your firearm and ammunition in separate locked receptacles out of reach and sight of children and untrained people.
23. Never alter any parts of your rifle as the safety and proper function of your rifle could be seriously compromised.
24. Always be aware that corrosion, use of damaged ammunition, dropping the rifle on hard surfaces or other "coarse treatment" could cause a damage you may not see. If something like this happens, allow let the firearm to be examined and tested by a competent gunsmith.

THE CZ 550 RIFLE DESCRIPTION AND TERMINOLOGY

The names of basic rifle parts used in this Instruction Manual are presented in Fig. 1. Nomenclatures of all CZ 550 parts are presented in the section *Illustration and List of Parts*.

The CZ 550 is a repeating rifle with a Mauser-type bolt action. The trigger mechanism is of a single set design with an adjustable set-trigger; a single stage trigger is supplied on special order. The trigger is adjustable for pull weight and trigger travel. The safety secures the rifle against unintentional discharge and at the same time blocks the bolt in a closed position. The top of the receiver has milled grooves to accommodate scope mounts. The stock surface is made in semi-matte polyurethane lacquered finish as standard. The rifle is produced in several versions. Characteristic features of all versions are:

- a wide assortment of calibers, allowing optimum choice of caliber - according to the particular use of the rifle
- the CZ 550 is well-balanced and consequently quick and easy to aim
- easy mounting of rifle scope
- controlling elements, which are simple in operation, and easy to reach (bolt handle, set-trigger configuration, safety, bolt catch, magazine catch)
- completely adjustable trigger mechanism
- alternatives with set-trigger or without set-trigger
- cocking indicator indicates cocking of the striking mechanism
- easy disassembly for cleaning and routine maintenance, which can be carried out without any tools
- a high degree of accuracy when firing
- a long service life
- high functional reliability in all environments, even with ammunitions made by various manufacturers, and with different types of bullets

Brief Characterisation of Basic Versions

CZ 550 Standard

The stock made of walnut wood with a cheekpiece furnished with checkerings and reduced-size buttplate. The stock allows aiming with mechanical sights as well as optical sights.

CZ 550 Lux

The walnut stock with cheekpiece of Bavarian style, checkered and supplied with a ventilated rubber buttplate. The stock allows aiming with mechanical sights as well as optical sights.

CZ 550 MC

The walnut stock of Monte Carlo type provided with checkerings and a ventilated rubber buttplate. The stock allows aiming with mechanical sights as well as optical sights.

CZ 550 Minnesota

The walnut stock is checkered, without cheekpiece and with reduced drop at heel supplied with a ventilated rubber buttplate. The type of stock designed for aiming with optical sights only.

CZ 550 American

The stock is made of walnut wood with cheekpiece, reduced drop at heel and checkering and is provided with rubber buttplate. This firearm is designed for aiming with optical sights only.

CZ 550 Prestige

This rifle has the same standard features as the CZ 550 American. However, the Prestiges are made from hand-picked components. These components are match fitted for securing perfect function. The stock is made of selective walnut wood featuring special surface finish.

CZ 550 FS

The classical walnut Full Stock with cheekpiece of Bavarian style, checkered and supplied with a ventilated rubber buttplate. The stock allows aiming with mechanical sights as well as optical sights.

CZ 550 Battue

The walnut stock checkered and supplied in Lux version or FS. The barrel (length of 520 mm) is equipped with a ramp rear sight. The firearm is designed for moving game shooting at shorter distances.

CZ 220 Scandinavia

The walnut stock of Monte Carlo type featuring enhanced comb and provided with checkerings and ventilated rubber buttplate. The stock allows aiming with mechanical sights as well as optical sights.

CZ 550 Varmint

The walnut stock is checkered, without cheekpiece and with reduced drop at heel, strengthened front part and supplied with a ventilated rubber buttplate. The barrel is of heavy type with no sights. The stock is designed for aiming with optical sights only.

CZ 550 Sport

The walnut stock of Sport style checkered and supplied with an adjustable rubber buttplate of sport version. The adjustable cheekpiece and rib for hunting sling attachment supplied on order. The stock allows aiming with a receiver sight as well as optical sights.

The Survey of Basic Rifle Modifications:

Model	Overall Length	Barrel Length	Weight	Capacity:						Magazine Box	Magazine - Long	Magazine - Short	Safety	Trigger	Receiver	Sights	Buttplate	Stock Finish	Sling Swivels										
				.22-250 Remington	.243 Winchester	6.5 x 55 SE	.270 Winchester	7 x 57	7 x 64											.308 Winchester	.30-06 Springfield								
CZ 550	mm	mm	kg										Three positions	Two positions	Adjustable trigger	Adjustable set-trigger	Squared	Rounded	Rounded, MRI-shaped	Without sights	Open	Plastic	Rubber - ventilated	Special - adjustable	PUR lacquer - semi-mat	Polished	DEDECRYL lacquer	20 mm swivels	1" swivels
Standard	1135	600	3,3	4	4	5	5	5	5	4	5	3	•	■	▲	■	■	•	•		■	■	•		■	•	•	•	■
Lux	1135	600	3,3	4	4	5	5	5	5	4	5	3	•	■	▲	■	■	•	•		■	■	•		■	•	•	•	■
MC	1135	600	3,3	4	4	5	5	5	5	4	5	3	•	■	▲	■	■	•	•		■	■	•		■	•	•	•	■
Minnesota	1135	600	3,3	4	4	5	5	5	5	4	5	3	•	■	▲	■		•	■	■		■	■		■	•	•	•	■
American	1135	600	3,3	4	4	5	5	5	5	4	5	3	•	■	▲	■		•	■	■		■	■		■	•	•	•	■
Prestige	1135	600	3,3	-	-	-	5	-	-	-	5	-	•	■	▲	■		•	■	■		■	■		■	•	•	•	■
FS	1055	520	3,1	4	4	5	5	5	5	4	5	3	•	■		■		•		■	■	■		■	•	•	•	■	
Battue	1055	520	3,1	4	4	5	5	5	5	4	5	3	•	■		■		•		■	■	■		■	•	•	•	■	
Scandinavia	1135	600	3,3	4	4	5	5	5	5	4	5	3	•	■		■		•		■	■	■		■	•	•	•	■	
Varmint	1185	650	4,2	4	4	-	-	-	-	4	-	-	■		■	■							■		■	•	•	•	■
Sport	1150	650	4,7	-	-	-	-	-	-	4	-	-	■		■	■							■	▲	■				■

Single cartridge feeding device on special request

■ standard equipment

• available on request

▲ alternative equipment

OPERATING INSTRUCTIONS

Ammunition

Use only factory-manufactured standard ammunition of appropriate caliber, which are in compliance with CIP regulations (International Proof Commission for Firearms and Ammunition) or SAAMI (Sporting Arms and Ammunition Manufacturers' Institute Inc. of the United States). The use of other cartridges could damage the firearm or cause malfunctions or injury to the shooter.

Magazine Removal

(Pertains only to rifles equipped with detachable magazines). With one hand depress in the forward direction magazine catch located at the front part of the trigger guard (Fig. 2). Remove with the other hand the magazine.

Magazine Loading

(Pertains only to rifles equipped with detachable magazines). With the open end uppermost, grasp the magazine in one hand. Place a cartridge on the magazine follower with the base just forward of the retaining lips. Press the cartridge down and back until its base touches rear flat edge of the magazine. Place the next cartridge on top of the previous cartridge and slide in as already described.

Loading of the Rifle

ALWAYS MAKE SURE THE RIFLE IS POINTED IN A SAFE DIRECTION WHEN LOADING!

The rifle in detachable magazine version

First push in the full magazine by its front side obliquely until it stops, then push the rear side (Fig. 3).

Grip the rifle with the left hand by its fore-end, place the buttplate against your body and grip the bolt handle with the other hand. Open the bolt by raising the bolt handle and pulling to the rear to its stop. Then push the bolt vigorously to its forward position again and by rotating the bolt handle in a downward direction close the bolt action. This procedure inserts the cartridge into the cartridge chamber and cocks the striker mechanism. The rifle is now ready to fire. If you do not intend to fire immediately, ensure the firearm safety as described further in the section *Safety and its Operation*.

Note:

Loading is also possible for single cartridges by directly inserting into the chamber without the use of a magazine.

The rifle in magazine box version

Open the bolt by raising the bolt handle and pulling to the rear to its stop.

Place a cartridge on the follower and press it downward into the magazine box. After releasing the downward pressure, the cartridge is caught by the side walls of the magazine. Place the next cartridge on top of the previous one, and slide in as described above. When the magazine box is loaded, push the bolt vigorously to its forward position, and by rotating the bolt handle in a downward movement close the bolt. This procedure inserts the cartridge into the cartridge chamber, and cocks the striker mechanism. The rifle is now ready to fire. If you do not intend to fire immediately ensure the firearms safety as described further below in the section *Safety and its Operation*.

Unloading of the Rifle

ALWAYS MAKE SURE THE RIFLE IS POINTED IN A SAFE DIRECTION!

- open the magazine box floorplate (Fig. 4) and drop released cartridges into your hand (in the detachable magazine version, remove the magazine in the manner as already described - see operating instructions, removal of the magazine)
- move the safety to its "Safety-Off" position in order that the bolt can be opened. If your rifle is fitted with a three-position safety, shift it to its mid-position which allows the bolt operations, but the trigger mechanism remains on safe
- open the bolt and check to ensure that the cartridge has been extracted from the chamber and ejected
- close the bolt
- depress the trigger (dry fire)

The Safety and its Operation

Shift the safety rearward to its "Safety-On" position (Fig. 5) until the red dot is fully covered. This procedure locks the trigger mechanism and the bolt, it is not possible to discharge a cartridge or manipulate the bolt.

If your rifle is fitted with a three-position safety, it has an additional mid-position which permits the opening of the bolt, but the trigger mechanism remains on safe. At this position of the safety, only the white dot is showing.

Cocking Indicator Operation

The cocking indicator is located on the rear face of the bolt sleeve (Fig. 6). If the (striker) firing pin is cocked, the cocking indicator protrudes from the bolt sleeve. This protrusion can be checked both by sight and by touch.

Set-trigger Operation

The set-trigger is activated by pushing it in the forward. For the reason of safety, activate the set-trigger only after the rifle is loaded and shortly before shooting. Do not carry your rifle with an activated set-trigger! If you have activated the set-trigger and you do not follow through with firing, keep your firearm pointed in a safe direction while carefully engaging the safety and then squeeze the trigger. Subsequently unload the rifle in the manner described above.

Trigger Adjustment

Independent of whether there is a mounted set-trigger or not, the trigger mechanism can be adjusted with respect to the trigger pull weight, and the trigger travel, before and after discharge. The adjustment can be performed after taking the barreled action out of the stock by means of the setting screws A (trigger pull), B (trigger travel before) and C (trigger travel after discharge) - see Fig. 7.

If the CZ 550 rifle is fitted with a set-trigger, the adjustment of the set-trigger is carried out by the screw located in front of the trigger (Fig. 8). For safety reasons do not adjust the set-trigger travel as too short, as the rifle with an activated set-trigger is very sensitive to shock, and during handling the rifle could unintentionally discharge. The safety of the set-trigger adjustment can be checked with the rifle unloaded by repeated opening and closing of the bolt combined with moving of the safety to its "ON" and "OFF" positions. The spontaneous release of the trigger must not occur.

Note:

There is a possibility of dismantling the set-trigger from the rifle, without any impairment to the functional properties or adjustment of the conventional trigger.

Sight Adjustment

The elevation and windage correction is carried out after loosening the screws H (horizontal) and V (vertical) by shifting the rear sight blade (Fig. 9). One part displacement changes the point of aim at 100 m distance in vertical by 3 cm and in horizontal direction by 15 cm.

Rifle Scope

Mounting of the riflescope and sighting-in of the rifle should be entrusted to a qualified gunsmith's workshop.

MAINTENANCE INSTRUCTIONS

Stripping for Cleaning - Disassembly

1. Remove the magazine. With the magazine box version, open the floorplate and remove the cartridges.
2. Shift the safety to its "SAFETY-OFF" position in order that the bolt can be manipulated.
3. Open the bolt, and after depressing the bolt stop (Fig. 10), pull the bolt rearwards out of the receiver.

Disassembly of the Bolt

BEFORE BOLT DISASSEMBLY CHECK FOR YOURSELF THAT THE CARTRIDGE CHAMBER IS EMPTY.

Cock the firing mechanism by opening the bolt, move it slightly backwards and close it again. Press the disassembly catch (Fig. 6) and keep it depressed, while at the same time open the bolt and move it partially rearwards with the other hand. Unscrew the bolt sleeve together with the firing pin assembly and as already described above pull the rest of the bolt rearwards out of the receiver.

CAUTION:

Do not strip your firearm any further. If you assume that your firearm requires adjustment or repair, entrust this work to a competent gunsmith in a specialized workshop!

Cleaning the Rifle

Clean the Rifle

- each time you use it
- if you get your rifle wet
- as soon as possible after shooting
- at least once a year in a temperate climate
- as often as once a month in a tropical climate, or other demanding environment

Cleaning the Barrel Bore and the Cartridge Chamber

If the firearm has not been fired or if only a few cartridges have been fired clean the barrel bore and cartridge chamber by the clean patch attached to the cleaning rod. Repeat the cleaning, changing patches, until the last patch comes out clean.

When the barrel bore is very dirty, apply a gun cleaning solution using cleaning brush. Let the solvent act for about 10 minutes (this time may vary depending on the solvent agent being used). Then thoroughly scrub out the barrel bore. Subsequently, dry the barrel bore and cartridge chamber with a clean patch and check that all powder residues, or fouling have been removed. If necessary repeat this procedure.

The cleaning rod and the brush must be inserted into the barrel bore from the chamber, to prevent wear or damage to the muzzle. Pass the brush all the way through the barrel bore before reversing the movement. If you try to change directions with the brush in the barrel, the brush could stick.

Cleaning of Other Rifle Parts

Other parts of the rifle can be cleaned with a dry cloth, old toothbrush, copper bristle brush or a wooden scraper. Preserving oil or paraffin oil can be used for proper cleaning. Never use the agent designed for barrel bore cleaning! These solutions could remain in the joints, and after some time could cause corrosion. Check that cloth particles or brush bristles have not become lodged in any part of the rifle.

The maintenance of the stock can be carried out with a dry cloth or by some furniture-polishing product.

Preserving

When the barrel bore, cartridge chamber, and all accessible parts are clean and dry, wipe these parts with a cloth soaked in gun oil or apply the oil in a spray. Remove all excess oil.

Before the shooting always wipe the barrel bore dry. At very low temperatures remove the oil from all accessible parts or apply a lubricant prepared especially for these conditions.

Use thick preserving agents for example, preserving grease only for long-term storage in demanding climate environments, and before any use of the rifle, it must be thoroughly removed from all parts of the firearm.

TROUBLESHOOTING, CAUSES AND REMEDIES

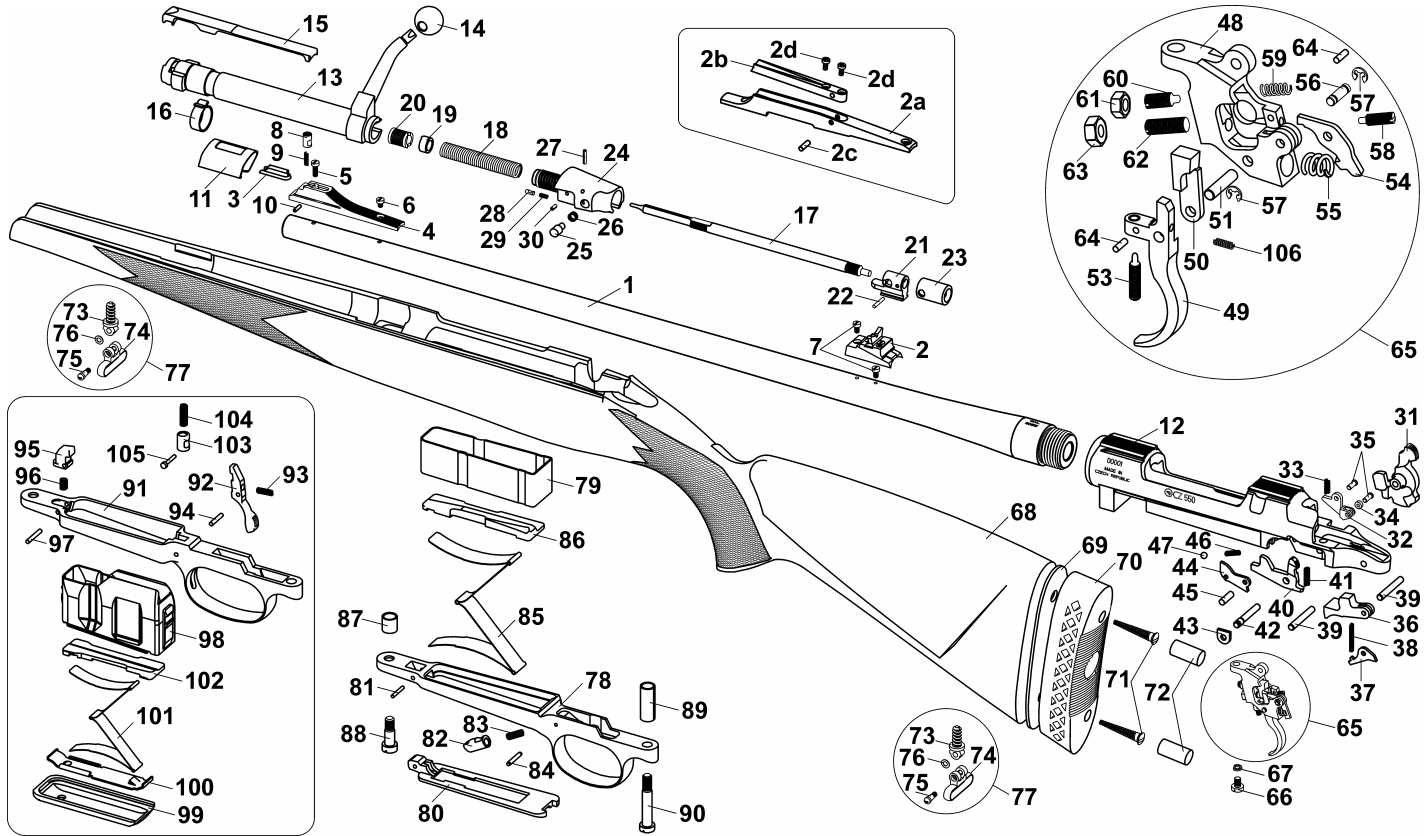
If your firearm is properly used and maintained, malfunctions will rarely occur. However, if such a situation does occur please observe the following instructions.

CAUTION - if a malfunction occurs, the possibility of an unintentional discharge is substantially increased. For this reason, when clearing malfunctions, observe the Safety Instructions already mentioned above. Keep the rifle pointed in a safe direction, do not turn the rifle against your body or anyone else's. Do not place your hands in front of the barrel!

Malfunction	Possible Cause	Remedy
A round has not been fed into the chamber.	Magazine is not fully inserted or is damaged. The rifle or cartridges are fouled (dirty).	Insert magazine properly or change magazine. Clean the rifle and cartridges and wipe them dry or as the case may be slightly lubricate.
Misfire.	Defective cartridge. Firing Pin hole fouled (dirty) or improper lubrication agent used during low temperatures conditions.	Follow the Safety Instructions according to point 19. Disassemble and clean the firing pin or use low temperature lubricant.
A shot sounds "weak".	The primer has been activated but no powder load was inside the cartridge case.	Unload the rifle and check that the bullet is not lodged in the barrel. Any subsequent shot could cause damage to the barrel!
The spent case has not been ejected.	Cartridge chamber, extractor or ammunition dirty or unsuitable lubricant in low temperature environment.	Clean and wipe the rifle dry or eventually lubricate lightly with a suitable agent. Use clean and new ammunition.

If you cannot clear away any malfunction in the manner described above, entrust the rifle to a competent gunsmith for inspection and repair.

ILLUSTRATION AND LIST OF PARTS



1 Barrel	30 Plunger Pin	58 Adjusting Screw (B)	85 Magazine Box Spring
2 Rear Sight	31 Safety	59 Spring, Trigger Pull	86 Magazine Follower
3 Front Sight	32 Safety Pawl	60 Adjusting Screw, Trigger Pull (A)	87 Front Spacer
4 Front Sight Base	33 Safety Pawl Spring	61 Locking Nut	88 Frame Screw, Front
5 Front Sight Base Screw 05	34 Roller	62 Adjusting Screw, Trigger Overtravel (C)	89 Rear Spacer
6 Front Sight Base Screw 03	35 Safety Pawl Pin	63 Locking Nut	90 Frame Screw, Rear
7 Rear Sight Base Screw	36 Sear	64 Nylon Pin (2x)	106 Trigger Spring
8 Front Sight Detent	37 Sear Stop	65 Trigger Mechanism	<i>The following parts relate to the detachable magazine version</i>
9 Detent Spring	38 Sear Spring	66 Screw	
10 Pin, Front Sight Detent	39 Sear Pin	67 Spring Washer	91 Trigger Guard - Magazine Version
11 Front Sight Cover	40 Bolt Stop	68 Stock	92 Magazine Latch
12 Receiver	41 Bolt Stop Spring	69 Butt Plate Spacer	93 Magazine Latch Spring
13 Bolt	42 Safety Pin	70 Butt Plate	94 Magazine Latch Pin
14 Bolt Handle Knob	43 Retaining Plate	71 Screw, Butt Plate	95 Magazine Catch
15 Extractor	44 Ejector	72 Butt Plate Plug	96 Magazine Catch Spring
16 Extractor Collar	45 Ejector Pin	73 Swivel Wood Screw	97 Magazine Catch Pin
17 Firing Pin	46 Ejector Spring	74 Sling Swivel	98 Magazine Shell
18 Firing Pin Spring	47 Ball	75 Swivel Screw	99 Magazine Floor Plate
19 Support, Firing Pin Spring	48 Trigger Housing	76 Swivel Screw Washer	100 Floor Plate Lock
20 Nut, Firing Pin Spring	49 Trigger	77 Swivel Assembly	101 Magazine Spring
21 Cocking Piece	50 Trigger Lever	78 Trigger Guard - Box Version	102 Follower
22 Pin, Firing Pin Nut	51 Trigger Lever Pin	79 Box Shell	103 Magazine Ejector
23 Cap	52 -	80 Floor Plate	104 Magazine Ejector Spring
24 Bolt Sleeve	53 Adjusting Screw, Set Trigger	81 Floor Plate Pin	105 Magazine Ejector Pin
25 Disassy Catch	54 Set Trigger Lever	82 Floor Plate Latch	
26 Disassy Catch Spring	55 Spring, Set Trigger Lever	83 Spring, Floor Plate Latch	
27 Disassy Catch Pin	56 Pin	84 Pin, Floor Plate Latch	
28 Disassy Catch Plunger	57 Retaining Ring		
29 Plunger Spring			

TECHNICAL SPECIFICATIONS

Model	Standard, Lux, MC Minnesota American Prestige * Scandinavia	FS Battue	Sport	Varmint
Calibers, Magazine	.243 Winchester .308 Winchester .22-250 Remington	.243 Winchester .308 Winchester .22-250 Remington	.308 Win.	.243 Win. .308 Win. .22-250 R.
Calibers, Magazine Box	6,5x55 SE .270 Winchester 7x57 7x64 .30-06 Springfield 9,3x62	6,5x55 SE .270 Winchester 7x57 7x64 .30-06 Springfield 9,3x62	-	-
Overall Length [mm]	1135	1055	1150	1185
Barrel Length [mm]	600	520	650	650
Sights Radius (Mechanical Sights) [mm]	420	340	-	-
Weight (Empty Magazine) [kg]	3,3	3,1	4,7	4,2
Capacity [cartridges] Magazine Box / Magazine Long / Magazine Short	5 / 4 / 3	5 / 4 / -	- / 4 / -	- / 4 / -
Trigger Pull, Adjustment Range [N]	12 ÷ 22	12 ÷ 22	12 ÷ 22	

* only with fixed magazine versions in .270 Winchester and 30-06 Springfield calibers

LIST OF ILLUSTRATIONS

1. The names of basic parts
2. Magazine removal
3. Insertion of the magazine
4. Magazine box floor plate opening
5. The three positions safety in SAFETY-OFF (fire) mode
6. The close-up of activated cocking indicator and bolt disassembly catch
7. Trigger adjusting screws (A - trigger pull, B - trigger slack, C - trigger overtravel)
8. Set trigger adjusting screw
9. Rear sight with fixing screws (H for horizontal, V for vertical shift)
10. The bolt stop close-up

The Company, reserves the right to make any changes it thinks necessary to improve its models or to meet any requirements of manufacturing or commercial nature.

VÝSTRAŽNÍK
COCKING INDICATOR
SIGNALSTIFT

POJISTKA
SAFETY
SICHERUNG

ZÁVĚR
BOLT
VERSCHLUSS

LŮŽKO
RECEIVER
LAGER

KLIKA ZÁVĚRU
BOLT HANDLE
VERSCHLUSSSPANNHEBEL

SPOUŠŤ
TRIGGER
ABZUG

ZÁPADKA DŇA SCHRÁNKY
FLOOR PLATE LATCH
FALLE DES KAPSELBODENS

DŇO SCHRÁNKY
FLOOR PLATE
KAPSELBODEN

VYTAHOVAČ
EXTRACTOR
AUSZIEHER

①



②



③



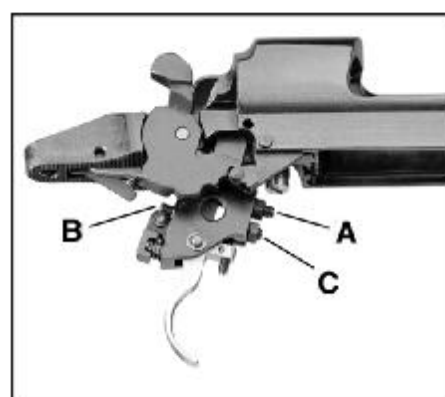
④



⑤



⑥

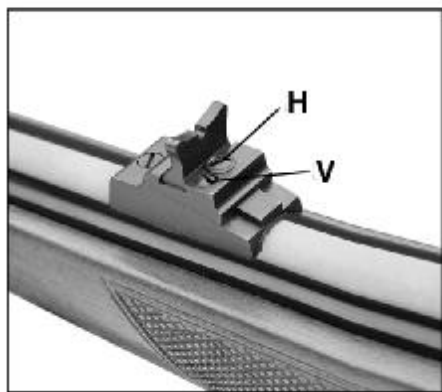


⑦

⑧



⑨



⑩

