

INSTRUCTION MANUAL

CZ 40



ČESKÁ ZBROJOVKA

Before handling the pistol read this manual carefully and observe the following safety instructions.

Improper and careless handling of the pistol could result in unintentional discharge and could cause injury, death or damage to property. The same consequences can be caused by unauthorized modifications or adjustments, corrosion, or use of non-standard or damaged ammunition. In these cases the manufacturer shall not be responsible in any manner whatsoever for the resultant consequences.

Before leaving the factory this pistol was tested, carefully inspected, and packed. CZ cannot accept responsibility for product handling while in transit, or upon leaving the factory. Therefore, please examine this pistol carefully at the time of purchase to ensure that it is unloaded and undamaged.

This instruction manual should always accompany this pistol and that even in the case of the loan or sale of this pistol.

CONTENTS

SAFETY INSTRUCTIONS	16
PISTOL DESCRIPTION AND TERMINOLOGY	17
Safety Features	18
OPERATING INSTRUCTIONS	19
Ammunition	19
Removal of the Magazine	19
Magazine Loading	19
Pistol Loading	19
Reloading During Shooting	20
Unloading the Pistol	20
Engaging the Safety Mode	20
Sight Adjustment	21
MAINTENANCE INSTRUCTIONS	21
Stripping for Cleaning - Disassembly	21
Firing Pin Disassembly	22
Magazine Disassembly	22
Cleaning the Pistol	22
Cleaning the Barrel Bore and the Cartridge Chamber	22
Cleaning of Other Pistol Parts	23
Preserving	23
ILLUSTRATION AND LIST OF PARTS	24
TROUBLESHOOTING, CAUSES AND REMEDIES	26
TECHNICAL SPECIFICATIONS	27
LIST OF ILLUSTRATIONS	27

SAFETY INSTRUCTIONS

Always follow the safety instructions for your safety and the safety of others.

1. Always handle your pistol as if it were loaded.
2. Never point your pistol at anything you do not intend to shoot.
3. Never take anyone's word that a gun is unloaded.
4. Always make sure that your pistol is not loaded before laying it down, or handing it to another person.
5. Always keep and carry your pistol empty, except when you intend to shoot.
6. Never abuse your pistol by using it for any purpose other than shooting.
7. Never leave your loaded pistol unattended.
8. Before loading your pistol be sure that the barrel bore, chamber, and action are clean and clear of obstructions. After shooting, clean the dirtied pistol as soon as possible.
9. Always use only clean, dry, original high quality commercially manufactured ammunition, which is appropriate to the caliber of your pistol.
10. Never drink alcoholic beverages or take drugs before or during shooting.
11. Always wear safety glasses and ear protection when shooting.
12. Always keep clear and keep others clear of the ejection port.
13. Never squeeze the trigger or put your finger in the trigger guard until you are aiming at a target and ready to shoot.
14. Always be absolutely sure of your target, and the area behind it, before you squeeze the trigger. A bullet could travel through or past your target up to several hundred meters.
15. Never shoot at a hard surface such as rock, or a liquid surface such as water.
16. Never fire your pistol near an animal unless it is trained to accept the noise.
17. Never indulge in "horseplay" while holding your pistol.
18. Failure to fire: always hold the pistol, keeping it pointed towards the target, or a safe open area and wait 30 seconds when the pistol fails to fire. If a hangfire (slow ignition) has occurred, the round will fire within 30 seconds. If the round does not fire, remove the magazine, eject the round and examine the primer; if the firing pin indent on the primer is light, or off center, or non-existent, have the pistol examined by a competent gunsmith.
19. Always make sure your pistol is not loaded before cleaning, storing or travelling.
20. Always keep and store your pistol and ammunition in separate locked receptacles out of reach and sight of children and untrained people.
21. Never alter any parts of your pistol as the safety and proper function of your pistol could be seriously compromised.

22. Always be aware that corrosion, use of damaged ammunition, dropping the pistol on hard surfaces or other "coarse treatment" could cause damage you may not see. If something like this happens allow the pistol to be examined and tested by a competent gunsmith.

PISTOL DESCRIPTION AND TERMINOLOGY

The names of basic pistol parts used in this Instruction Manual are presented in Fig. 1. Nomenclatures of all CZ 40 parts are presented in the section *Illustration and List of Parts*.

The CZ 40 pistol is manufactured in a number of versions which differ from each other by their surface treatment, grip panels type, and especially by trigger mechanism operation. The characteristic features of the CZ 40 pistol are:

- large capacity double-column magazine
- classic design
- comfortable grip and balance in either hand
- good results at instinctive shooting (without aiming)
- low trigger pull weight
- high accuracy of fire
- high reliability, even with various types of cartridges
- the slide stays open after the last cartridge has been fired
- the sights are fitted with a three-dot illuminating system for better aiming in poor visibility conditions. Optional tritium or micrometrical sights can be fitted on request to the customer's specifications.
- the pistol's high level of safety against inadvertent discharge, is ensured by the safety features described below:

Version	Function	Safety	Safety Stop on the Hammer	Firing Pin Safety
CZ 40 B	SA/DA	yes	yes	yes
CZ 40 DAO	DAO	no	no	yes

Comments:

SA (Single Action)

The trigger mechanism operates in a single action mode of fire. The hammer is cocked manually and then after pressing the trigger the pistol is fired. The trigger travel is short, and pull weight is low. After each discharge the hammer remains cocked.

DA (Double Action)

The trigger mechanism operates in a double action mode of fire. The hammer is cocked, released and the pistol fired by one pull of the trigger. The trigger travel is longer, and trigger pull weight is higher than at SA mode of fire.

DAO (Double Action Only)

The trigger mechanism only operates in a double action mode of fire. The hammer returns to the down position after each shot, and for the subsequent shots must be cocked again by pulling the trigger.

Safety Features

Trigger Guard

Prevents unintentional pressing of the trigger, for example when the pistol is dropped.

Inertia Firing Pin

The design of the firing pin prevents the firing pin from protruding through the face of the slide when the hammer is in its rest position. This eliminates the possibility of a discharge when a loaded pistol is dropped on the hammer.

Firing Pin Safety

The firing pin safety keeps the firing pin blocked until the trigger is pulled. This safety device minimizes the risk of accidental discharge through mishandling such as when a loaded pistol is dropped.

Safety Stop on the Hammer

A half-cock safety notch is on the hammer so as to prevent it from striking the firing pin when the hammer is manually cocked, and a thumb could slip. When the hammer is on the safety stop, it is not leaning against the firing pin stop, but its position is further back.

OPERATING INSTRUCTIONS

Ammunition

Use only factory-manufactured ammunition of appropriate caliber, which are in compliance with CIP regulations (International Proof Commission for Firearms) or SAAMI (Sporting Arms and Ammunition Manufacturers' Institute Inc. of the United States). The use of other cartridges could damage the handgun or cause injury to the shooter.

Note: The manufacturer does not recommend using any ammunition with wadcutter types of bullets particularly LSWC (Lead Semi-Wadcutter). These types of cartridges can cause a feeding failure when feeding the cartridge into the chamber.

Removal of the Magazine

Hold the pistol in your right/left hand and depress the magazine catch with the thumb/middle finger. The magazine will drop out freely (under its own weight) from the magazine well.

Magazine Loading

With the open end uppermost, grasp the magazine in one hand. Place a cartridge on the magazine follower. Press the cartridge down and back until it touches the rear flat edge of the magazine. Place the next cartridge on top of the previous cartridge and press down and back (Fig. 2). We recommend that when some cartridges are already loaded in the magazine, depress them slightly with the thumb of the hand which holds the magazine.

The number of cartridges can be checked through the inspection holes in the sides of the magazine. Do not try to exceed the magazine capacity - doing so can cause a feeding failure. Also, do not leave the magazine loaded for prolonged periods whenever unnecessary.

Pistol Loading

CAUTION:

ALWAYS MAKE SURE THE PISTOL IS POINTED IN A SAFE DIRECTION WHEN LOADING!

Insert a loaded magazine and ensure that it has engaged the magazine catch.

Hold the pistol by the grip with one hand, and with the thumb and index finger grasp the serrated finger grips on both sides of the slide. Retract the slide to the stop and allow it to snap forward (Fig. 3). This procedure inserts a cartridge into the chamber. The pistol is now ready to fire, all that remains is to squeeze the trigger. If you are an owner of a pistol having SA/DA selective mode of fire and if you do not intend to shoot immediately ensure the pistol safety by one of the methods described further below in the section: *Engaging the Safety Mode*.

Reloading During Shooting

When the last cartridge has been fired the slide will stay to the rear. Remove the emptied magazine and replace it with a loaded one. Thumb down the slide stop with the shooting hand (Fig. 4), or with the other hand draw back the slide and allow it to snap forward (Fig. 3). The pistol is again loaded and ready to fire.

Unloading the Pistol

ALWAYS MAKE SURE THE PISTOL IS POINTED IN A SAFE DIRECTION!

- remove the magazine
- draw back the slide and verify the last cartridge has been extracted from the chamber and ejected
- let the slide snap fully forward
- depress the trigger (dry fire)

Engaging the Safety Mode

Push the safety up to the Safety-On position (Fig. 5) until the red warning dot is covered. The safety in this position blocks the trigger mechanism and slide, thus preventing the pulling of the trigger and operating the slide. The safety can be engaged only when the hammer is cocked, and for this reason it is applied especially in the case of a short-term interruption of shooting.

Besides the method previously described it is possible to put the pistol into a safety mode and still be ready to fire immediately:

Load the pistol. Grasp the grip, **POINT IN A SAFE DIRECTION**. With thumb and index finger of the other hand hold the hammer firmly (Fig. 6), pull the trigger and release the hammer slowly and gradually until it rests on the firing pin stop. Release the trigger. Apply extreme caution when lowering the hammer to avoid an accidental discharge! We strongly recommend to practice this operation beforehand with the pistol unloaded.

In this state the pistol is safe for all normal handling and at the same time ready for immediate use. The design of this handgun incorporates the feature that the manual safety can not be applied when the hammer is not cocked in order not to reduce the readiness of the pistol for use by accidental engaging of the manual safety.

Please remember that the safest way to secure a pistol, is to unload it and store it in a safe place!

Sight Adjustment

The pistol sights were sighted in at the manufacturing plant at a distance of 25 m so that the mean point of impact approximately conforms to the point of aim.

Windage correction can be carried out by drifting of the front sight in the dovetail followed by the securing of its position by an indentation. Elevation correction is carried out by exchanging the front sights for higher or lower sizes.

The usual rear sights may optionally be exchanged for a suitable adjustable sight, or as the case may be, to install tritium sights. These adjustments should be entrusted to a competent gunsmith.

MAINTENANCE INSTRUCTIONS

Stripping for Cleaning - Disassembly

POINT YOUR PISTOL IN A SAFE DIRECTION!

1. Remove the magazine. The pistol must not be disassembled with the magazine inserted!
2. If the pistol is equipped with a manual safety shift it to the „Safety-Off“ position in order that the slide can be manipulated.
3. MAKE SURE THAT THERE IS NO CARTRIDGE IN THE CHAMBER!
4. When disassembling pistol having SA/DA selective mode of fire rotate the hammer backwards, until it is caught by the hammer main notch. All further procedures will thus be performed more conveniently.
5. Put your left thumb through the trigger guard and with the other fingers grasp the top of the front part of the slide firmly (Fig. 7). With the DAO version push the slide slightly back until the two recesses on the rear part of the frame and slide will be above each other. With SA/DA version the recess on the rear part of the slide shall be above the red dot marking the safety engagement.
6. KEEPING THE RECESSES ABOVE EACH OTHER push the slide stop from the right hand side of the firearm, using the magazine base corner protrusion for example (Fig. 8). Remove the slide stop.
7. Pull the slide and the barrel forward off the frame.
8. Remove the recoil spring and guide and finally the barrel.

No further disassembly is needed for routine maintenance. When a great number of cartridges has been fired, it is advisable to also disassemble the firing pin and magazine.

Re-assembly Note:

Grasp the pistol in the manner described in point 5 and align the LINES on the frame and slide, insert only about the half of the slide stop into the appropriate hole in the frame (Fig. 9). Then shift the slide further to the rear, till the RECESSES are above each other and in this position insert the slide stop completely into the frame.

Firing Pin Disassembly

Firing pin disassembly procedure and cleaning should be entrusted to a competent gunsmith.

Magazine Disassembly

To remove the magazine base, push on the base lock which sticks out through a hole in the base and slide the base about 5 mm towards the front of the magazine. Cover the base with your thumb to prevent losing the magazine spring and with the other hand take off the base from its guiding rails. Be careful during the disassembly as the spring could fly out, or even cause an injury.

No further disassembly of your pistol is recommended. Should your pistol require adjustment or repair be sure the task is entrusted to a competent gunsmith!

Note for the Service Technician:

Drift the extractor pin out from above, and drift it in from the inner side of the slide; when the pin installment had been completed secure it with an indentation. The rear sight, front sight and other solid pins and roll pins drift in from the left side (when looking in the direction of fire).

Cleaning the Pistol

Clean the pistol

- each time you use it
- if you get your pistol wet
- as soon as possible after shooting
- at least once a year in a temperate climate
- as often as once a month in a tropical climate, or other demanding environment

Cleaning the Barrel Bore and the Cartridge Chamber

If the pistol has not been fired or if only a few cartridges have been fired, clean the barrel bore and cartridge chamber by the clean patch attached to the cleaning rod. Repeat the cleaning, changing patches, until the last patch comes out clean.

When the barrel bore is very dirty, apply a gun cleaning solution using a cleaning brush. Let the solvent act for about 10 minutes (this time may vary depending on the solvent agent being used). Then thoroughly scrub out the barrel bore. Subsequently, dry the barrel bore and cartridge chamber with a clean patch and check that all powder residues or fouling have been removed. If necessary repeat this procedure.

The cleaning rod and the brush must be inserted into the barrel bore from the chamber, to prevent wear or damage to the muzzle. Pass the brush all the way through the barrel bore before reversing the movement. If you try to change directions with the brush in the barrel, the brush could stick.

Cleaning of Other Pistol Parts

Other parts of the pistol (including the external surfaces of the barrel) should be cleaned with a dry cloth, old toothbrush, brass bristle brush or a wooden scraper. Preserving oil or paraffin oil can be used for proper cleaning. Never use the agent designed for barrel bore cleaning! These solutions could remain in the joints, and after some time could cause corrosion.

Check that cloth particles or brush bristles have not become lodged in any part of the pistol.

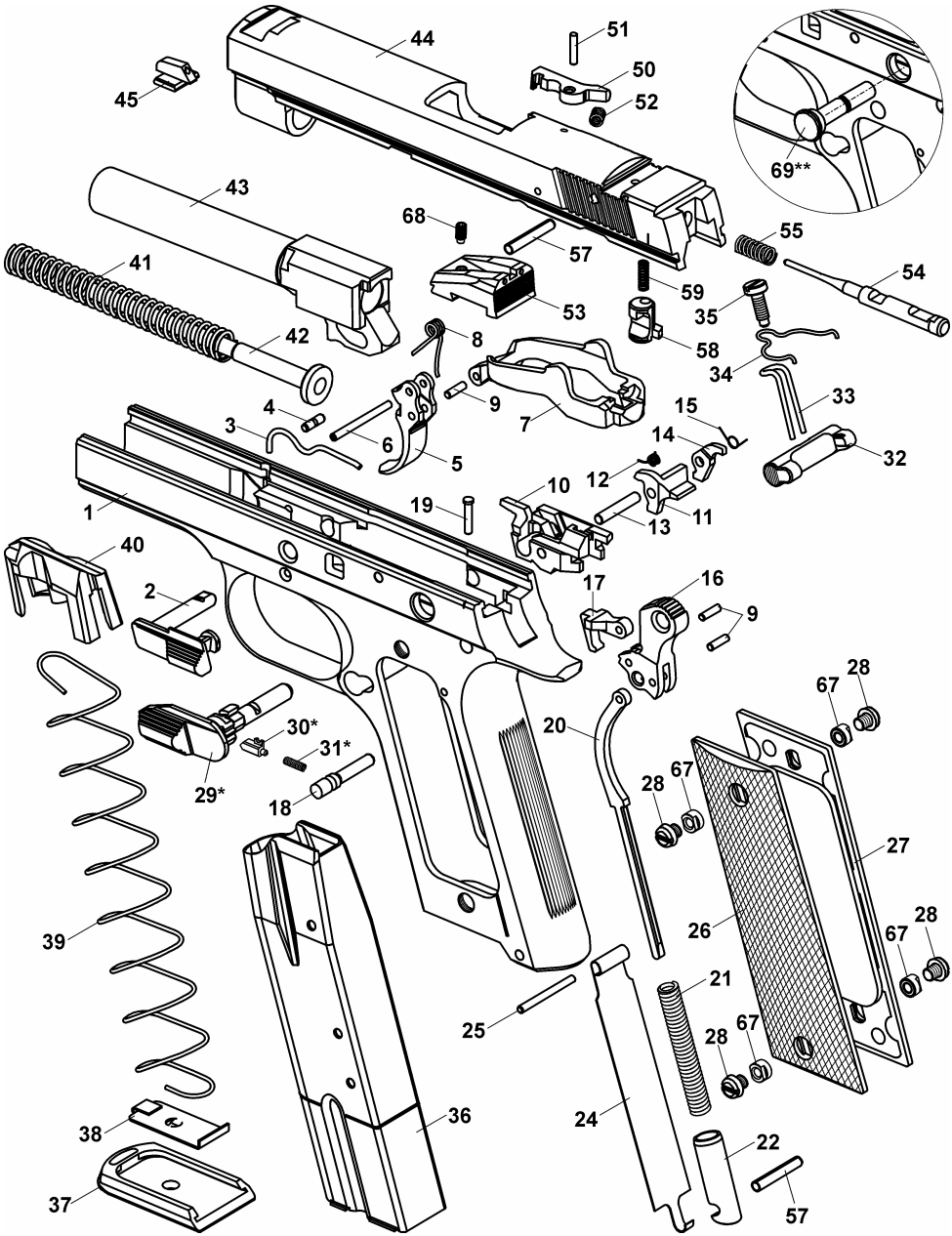
Preserving

When the barrel bore, cartridge chamber, and all accessible parts are clean and dry, wipe these parts with a cloth soaked in gun oil or apply the oil in a spray. Remove all excess oil.

Before shooting always wipe the barrel bore dry. At very low temperatures remove the oil from all accessible parts or apply a lubricant prepared especially for these conditions.

Use thick preserving agents for example, preserving grease only for a long-term storage in demanding climate environments, and before any use of the pistol it must be thoroughly removed from all parts of the firearm.

ILLUSTRATION AND LIST OF PARTS



1 Frame	35 Magazine Catch Spring Screw
2 Slide Stop	36 Magazine Body
3 Slide Stop Spring	37 Magazine Base
4 Slide Stop Spring Pin	38 Magazine Base Lock
5 Trigger	39 Magazine Spring
6 Trigger Pin	40 Follower
7 Trigger Bar	41 Recoil Spring
8 Trigger Spring	42 Recoil Spring Guide
9 Pin (3x)	43 Barrel
10 Ejector	44 Slide
11 Sear	45 Front Sight
12 Sear Spring	46 -
13 Sear Spring Pin	47 -
14 Firing Pin Block Lever	48 -
15 Firing Pin Block Lever Spring	49 -
16 Hammer	50 Extractor
17 Disconnecter	51 Extractor Pin
18 Hammer Pin	52 Extractor Spring
19 Hammer Pin Retaining Peg	53 Rear Sight
20 Main Spring Strut	54 Firing Pin
21 Main Spring	55 Firing Pin Spring
22 Main Spring Plug	56 -
23 -	57 Roll Pin (2x)
24 Magazine Brake	58 Firing Pin Block Stop
25 Magazine Brake Pin	59 Firing Pin Block Stop Spring
26 Grip Panel - Left	60 -
27 Grip Panel - Right	61 -
28 Grip Panel Screw (4x)	62 -
29 Safety *	63 -
30 Safety Detent Plunger *	64 -
31 Safety Detent Plunger Spring *	65 -
32 Magazine Catch	66 -
33 Magazine Catch Spring	67 Grip Panel Screw Sleeve (4x)
34 Trigger Bar Spring	68 Rear Sight Screw
	69 Ejector Pin **

Comments:

The numbers marked with dash (-) are stated here for the purpose of conformity with the lists of other pistol parts only.

The parts marked * are only for SA/DA version.

The part marked ** is only for DAO version.

TROUBLESHOOTING, CAUSES AND REMEDIES

If your pistol is properly used and maintained, malfunctions will rarely occur. However, if such a situation does occur, please observe the following instructions.

CAUTION - If a malfunction occurs, the possibility of unintentional discharge is substantially increased. For this reason, carefully observe the *Safety Instructions* already mentioned above. Keep the pistol pointed in a safe direction, do not turn the pistol against your body or anyone else's! Do not place your hands in front of the barrel!

If you use your pistol for self-defense, or in law enforcement, please acquire so-called "dummy cartridges" and practice fast clearing of malfunctions as described below.

Malfunction	Possible Cause	Remedy
A round has not been fed into the chamber or the slide has not fully locked with the barrel.	Magazine is not fully inserted or is damaged. The pistol or cartridges are fouled (dirty) or too heavily greased. The use of unsuitable cartridges.	Insert magazine properly or change magazine. Clean the pistol and cartridges and wipe them dry or as case may be slightly lubricate. Use only recommended ammunition.
Misfire	Defective cartridge Firing pin hole fouled (dirty) or improper lubrication agent used under low temperature conditions.	Pull the trigger again. If a discharge is not initiated, follow the Safety Instructions according to point 18. Disassemble and clean the firing pin or use a low temperature lubricant.
A shot sounds "weak" combined with failure to eject the cartridge case.	The primer has been activated but no powder load was inside the cartridge case.	Unload the pistol and check that the bullet is not lodged in the barrel. A subsequent shot could cause damage to the barrel.
The spent case has not been ejected.	Cartridge chamber, extractor or ammunition dirty, or unsuitable lubricant in low temperature environment.	Clean and wipe the pistol dry or lubricate lightly with a suitable agent. Use new and clean ammunition.

If you cannot clear away any malfunction in the manner described above, entrust the pistol to a competent gunsmith for inspection and repair.

TECHNICAL SPECIFICATIONS

Caliber		.40 S&W
Overall length	[mm]	205
Height	[mm]	141
Width	[mm]	35,5
Barrel length	[mm]	111
Sight radius	[mm]	158
Empty magazine weight	[g]	90
Weight with empty magazine	[g]	905
Magazine capacity	[cartridges]	12 (10*)
Trigger pull (SA)	[N]	15 - 25
Trigger pull (DA, DAO)	[N]	max. 59

* To some countries, the CZ 40 pistols are supplied with a reduced magazine capacity in compliance with local laws.

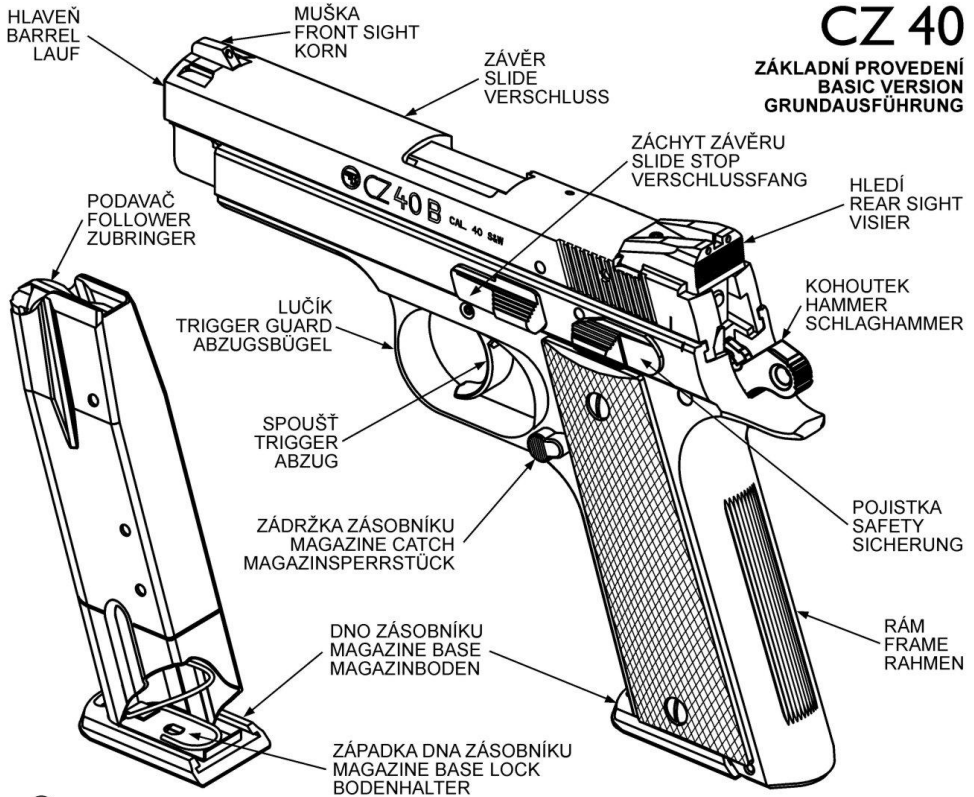
LIST OF ILLUSTRATIONS

1. The names of basic parts
2. Magazine loading
3. Slide release from its "rear lock-up" position by its cocking and releasing
4. Slide release from its "rear lock-up" position by depressing slide stop
5. Shifting the safety to the "SAFETY-ON" position
6. Letting the hammer go forward to its rest position
7. Positioning of the slide during disassembly
8. Slide stop removal using the magazine base to facilitate this operation
9. Positioning of the slide during assembly

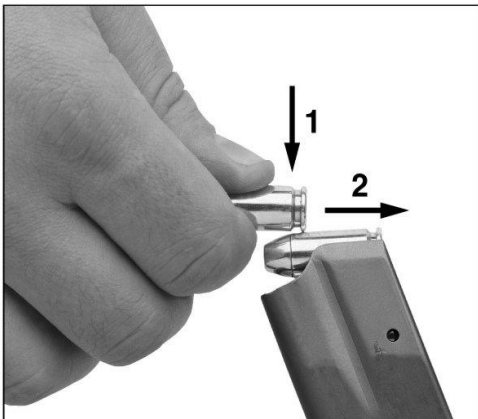
The Company, reserves the right to make any changes it thinks necessary to improve its models or to meet any requirements of manufacturing or commercial nature.

CZ 40

ZÁKLADNÍ PŘEVEDENÍ
BASIC VERSION
GRUNDAUSFÜHRUNG



①



②



③



④



⑤



⑥



⑦



⑧



⑨