

INSTRUCTION MANUAL
CZ 100




ČESKÁ ZBROJOVKA

Before handling the pistol read this manual carefully and observe the following safety instructions.

Improper and careless handling of the pistol could result in unintentional discharge and could cause injury, death or damage to property. The same consequences can be caused by unauthorized modifications or adjustments, corrosion, or use of non-standard or damaged ammunition. In these cases the manufacturer shall not be responsible in any manner whatsoever for the resultant consequences.

Before leaving the factory this pistol was tested, carefully inspected, and packed. CZ cannot accept responsibility for product handling while in transit, or upon leaving the factory. Therefore, please examine this pistol carefully at the time of purchase to ensure that it is unloaded and undamaged.

This instruction manual should always accompany this pistol and that even in the case of the loan or sale of this pistol.

CONTENTS

SAFETY INSTRUCTIONS	14
PISTOL DESCRIPTION AND TERMINOLOGY	15
OPERATING INSTRUCTIONS	16
Ammunition	16
Removal of the Magazine	16
Magazine Loading	16
Pistol Loading	16
Reloading During Shooting	17
Unloading the Pistol	17
Sight Adjustment	17
Loaded Chamber Indicator	17
MAINTENANCE INSTRUCTIONS	18
Stripping for Cleaning - Disassembly	18
Firing Pin Disassembly	18
Magazine Disassembly	18
Cleaning the Pistol	19
Cleaning the Barrel Bore and the Cartridge Chamber	19
Cleaning of Other Pistol Parts	19
Preserving	19
ILLUSTRATION AND LIST OF PARTS	20
TROUBLESHOOTING, CAUSES AND REMEDIES	22
TECHNICAL SPECIFICATIONS	23
LIST OF ILLUSTRATIONS	23

SAFETY INSTRUCTIONS

Always follow the safety instructions for your safety and the safety of others.

1. Always handle your pistol as if it were loaded.
2. Never point your pistol at anything you do not intend to shoot.
3. Never take anyone's word that a gun is unloaded.
4. Always make sure that your pistol is not loaded before laying it down, or handing it to another person.
5. Always keep and carry your pistol empty, except when you intend to shoot.
6. Never abuse your pistol by using it for any purpose other than shooting.
7. Never leave your loaded pistol unattended.
8. Before loading your pistol be sure that barrel bore, chamber, and action are clean and clear of obstructions. After shooting, clean a dirtied pistol as soon as possible.
9. Always use only clean, dry, original high quality commercially manufactured ammunition, which is appropriate to the caliber of your pistol.
10. Never drink alcoholic beverages or take drugs before or during shooting.
11. If possible wear both safety glasses and ear protection when shooting.
12. Always keep clear and keep others clear of the ejection port.
13. Never squeeze the trigger or put your finger in the trigger guard until you are aiming at a target and ready to shoot.
14. Always be absolutely sure of your target, and the area behind it, before you squeeze the trigger. A bullet could travel through or past your target up to several hundred meters.
15. Never shoot at a hard surface such as rock, or a liquid surface such as water.
16. Never fire your pistol near an animal unless it is trained to accept the noise.
17. Never indulge in "horseplay" while holding your pistol.
18. Failure to fire: always hold the pistol, keeping it pointed towards the target, or a safe open area and wait 30 seconds when the pistol fails to fire. If a hangfire (slow ignition) has occurred, the round will fire within 30 seconds. If the round does not fire, remove the magazine, eject the round and examine the primer; if the firing pin indent on the primer is light, or off center, or non-existent, have the pistol examined by a competent gunsmith.
19. Always make sure your pistol is not loaded before cleaning, storing or travelling.
20. Always keep and store your pistol and ammunition in separate locked receptacles out of reach and sight of children and untrained people.
21. Never alter any parts of your pistol as the safety and proper function of your pistol could be seriously compromised.
22. Always be aware that corrosion, use of damaged ammunition, dropping the pistol on hard surfaces or other "coarse treatment" could cause a damage you may not see. If something like this happens allow the pistol to be examined and tested by a competent gunsmith.

PISTOL DESCRIPTION AND TERMINOLOGY

The names of basic pistol parts used in this Instruction Manual are presented in Fig. 1. Nomenclatures of all CZ 100 parts are presented in the section *Illustration and List of Parts*.

The CZ 100 pistol is a semi-automatic handgun with locked breech. It is produced in several versions. Characteristic features of all versions are:

- ergonomical shape allowing shooting to be carried out by left or right hand
- comfortable grip and balance
- good results at instinctive shooting (without aiming)
- high accuracy of fire
- long service life
- high reliability, even with various types of bullets
- the slide stays open after the last cartridge has been fired
- illuminated sights for aiming under poor visibility conditions
- The pistol incorporates a DAO firing mechanism. After each shot the firing pin returns to its rest position and is blocked there. The firing mechanism is uncocked, and the pistol is safe even when dropped
- The absence of an external manual safety contributes to an immediate readiness to fire, and thus ensuring a heightened rapidity of response for the decisive first shot
- The wide trigger guard prevents snagging of the trigger by any objects, and also any unintentional discharge during handling or dropping of the pistol
- The slide can be cocked even with only one hand by positioning the rear sight or slide protrusion against any fixed edged object and levering against that point
- The CZ 100 cal. 40 S&W is provided with compensator ports to reduce muzzle climb during firing

Comments:

DAO (Double Action Only)

The trigger mechanism only operates in a double action mode. The firing pin returns to its rest position after each shot, and for the subsequent shots must be re-cocked by pulling the trigger. This guarantees the same conditions (trigger pull and travel) for every shot.

Firing Pin Safety

The firing pin safety keeps the firing pin blocked until the trigger is pulled. This safety device minimizes the risk of accidental discharge through mishandling such as when a loaded pistol is dropped.

OPERATING INSTRUCTIONS

WARNING:

Before shooting always wipe the barrel bore dry, and lubricate the slide guiding rails with a suitable lubricating agent.

Ammunition

Use only factory-manufactured standard ammunition of appropriate caliber, which are in compliance with CIP regulations (International Proof Commission for Firearms) or SAAMI (Sporting Arms and Ammunition Manufacturers' Institute Inc. of the United States). The use of other cartridges could damage the handgun or cause malfunctions or injury to the shooter.

Removal of the Magazine

Hold the pistol in your right/left hand and depress the magazine catch with the thumb/middle finger and by the other hand remove the magazine.

Magazine Loading

With the open end uppermost, grasp the magazine in one hand. Place a cartridge on the magazine follower (Fig. 2). Press the cartridge down and back until it touches the rear flat edge of the magazine. Place the next cartridge on top of the previous cartridge and press down and back. We recommend that when some cartridges are already loaded in the magazine, depress them slightly with the thumb of the hand which holds the magazine.

The number of cartridges can be checked through the inspection holes in the sides of the magazine. Do not try to exceed the magazine capacity - doing so can cause a feeding failure.

Pistol Loading

CAUTION:

ALWAYS MAKE SURE THE PISTOL IS POINTED IN A SAFE DIRECTION WHEN LOADING!

Insert a loaded magazine and ensure that it has engaged the magazine catch.

Hold the pistol by the grip with one hand, and with the thumb and index finger grasp the serrated finger grips on both sides of the slide. Retract the slide to the stop and allow it to snap forward (Fig. 3). This procedure inserts a cartridge into the chamber and the pistol is now ready to fire. In the case of any emergency the pistol can be loaded even with only one hand, by the use of the barrel stop placed against any fixed edged object.

Reloading During Shooting

When the last cartridge has been fired the slide will stay to the rear. Remove the emptied magazine and replace it with a loaded one. Thumb down the slide stop with the shooting hand (Fig. 4), or with the other hand draw back the slide and allow it to snap forward (Fig. 3). The pistol is again loaded and ready to fire.

Unloading the Pistol

ALWAYS MAKE SURE THE PISTOL IS POINTED IN A SAFE DIRECTION!

- remove the magazine
- draw back the slide and verify the last cartridge has been extracted from the chamber and ejected
- let the slide snap fully forward
- depress the trigger (dry fire)

Sight Adjustment

The pistol sights were sighted in at the manufacturing plant at a distance of 25 m so that the mean point of impact approximately conforms to the point of aim.

Windage correction can be carried out by the drifting of the rear sight in the dovetail. Elevation correction is carried out by exchanging the rear sights for higher or lower sizes.

Loaded Chamber Indicator

The loaded chamber indicator protrudes from the side wall surface of the slide, thereby indicating the presence of a cartridge in the cartridge chamber. The loaded chamber indicator status can be checked both by sight and by touch.

CAUTION:

In consideration of the fact that the firing pin block is located under the rear sight, **do not drift out the rear sight completely from its dovetail**. Entrust eventual rear sight exchange to a competent gunsmith.

MAINTENANCE INSTRUCTIONS

Stripping for Cleaning - Disassembly

ALWAYS MAKE SURE THE PISTOL IS POINTED IN A SAFE DIRECTION!

1. For the safety reasons remove the magazine first.
2. MAKE SURE THAT THERE IS NO CARTRIDGE IN THE CHAMBER!
3. Put your left thumb through the trigger guard and with the other fingers grasp the top of the front part of the slide firmly (Fig. 5). Push the slide slightly back until the position of the recess in the slide enables the removal of the connecting pin from the pistol frame. Press down the connecting pin from the right hand side of the firearm as deeply as possible (the magazine floorplate corner can be used to facilitate this operation) (Fig. 6). Pull out the connecting pin from the left-hand side of the pistol frame. After removing the connecting pin, ease the slide back to its initial position driven by the force of the recoil spring.
4. Grasp with one hand the pistol grip (as when shooting - see Fig. 7) and with other hand retract the slide back approx. 5-10 mm to get the trigger mechanism out of engagement. Pull the trigger and slip the slide barrel assembly forward off the frame.
5. Ease the trigger pull.
6. Remove the recoil spring and guide and finally the barrel.

No further disassembly is needed for routine maintenance. When a great number of cartridges has been fired, it is advisable to also clean the firing pin and magazine.

Firing Pin Disassembly

Using a suitable tool push in the rear end of the firing pin main spring guide (below the level of firing pin retainer), and shift the firing pin retainer approx. 2 mm down (Fig. 8). Then cover the firing pin retainer with your thumb (in order not to lose the spring-loaded guide with its spring), and with the other hand pull the firing pin retainer completely off the slide. Be very careful at this stage of the disassembly procedure, as the spring with its guide are spring loaded and could fly out, thus getting lost, or even causing injury. By means of a suitable tool depress the firing pin block, and withdraw the firing pin with the firing pin insert, main spring, and firing pin guide from the slide.

Magazine Disassembly

The magazine base is removed by pushing on the base lock, which stick out through a hole in the base. Slide the base about 5 mm towards the front of the magazine (Fig. 9). Cover the base with a thumb to prevent the loss of the magazine spring. At the same time, disengage the base from its guiding projections with the other hand. Be careful at the disassembly as the spring could fly out even cause an injury.

WARNING:

No further disassembly of your pistol is recommended. Should your pistol require adjustment or repair be sure the task is entrusted to a competent gunsmith!

Cleaning the Pistol

Clean the pistol

- each time you use it
- if you get your pistol wet
- as soon as possible after shooting
- at least once a year in a temperate climate
- as often as once a month in a tropical climate, or other demanding environment

Cleaning the Barrel Bore and the Cartridge Chamber

If the pistol has not been fired or if only a few cartridges have been fired, clean the barrel bore and cartridge chamber by the clean patch attached to the cleaning rod.

When the barrel bore is very dirty, apply a gun cleaning solution using a cleaning brush. Let the solvent act for about 10 minutes (this time may vary depending on the solvent agent being used). Then thoroughly scrub out the barrel bore. Subsequently, dry the barrel bore and cartridge chamber with a clean patch and check that all powder residues or fouling have been removed. If necessary repeat this procedure.

The cleaning rod and the brush must be inserted into the barrel bore from the chamber, to prevent wear or damage to the muzzle. Pass the brush all the way through the barrel bore before reversing the movement. If you try to change directions with the brush in the barrel, the brush could stick.

Cleaning of Other Pistol Parts

Other parts of the pistol (including the external surfaces of the barrel) should be cleaned with a dry cloth, old toothbrush, brass bristle brush or a wooden scraper. Preserving oil or paraffin oil can be used for proper cleaning. Never use the agent designed for barrel bore cleaning! These solutions could remain in the joints, and after some time could cause corrosion.

Check that cloth particles or brush bristles have not become lodged in any part of the pistol.

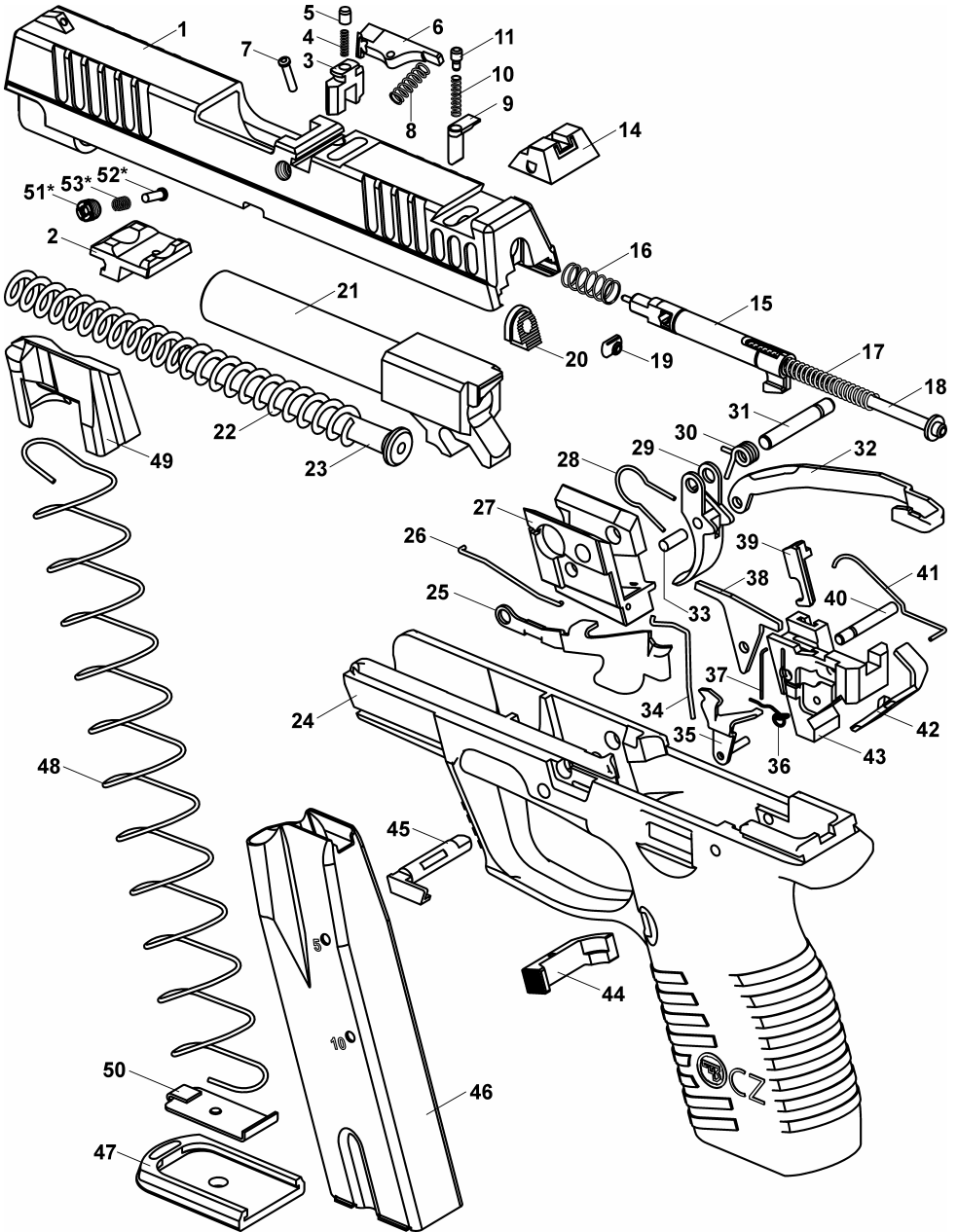
Preserving

When the barrel bore, cartridge chamber, and all accessible metal parts are clean and dry, wipe these parts with a cloth soaked in gun oil or apply the oil in a spray. Remove all excess oil. The plastic parts do not need any preserver application.

Before shooting always wipe the barrel bore dry. At very low temperatures remove the oil from all accessible parts or apply a lubricant prepared especially for these conditions.

Use thick preserving agents for example, preserving grease only for a long-term storage in demanding climate environments, and before any use of the pistol it must be thoroughly removed from all parts of the firearm.

ILLUSTRATION AND LIST OF PARTS



1 Slide	28 Insert Clip
2 Barrel Stop	29 Trigger
3 Firing Pin Stop	30 Trigger Spring
4 Detent Spring	31 Trigger Pin
5 Barrel Stop Detent	32 Trigger Bar
6 Extractor	33 Trigger Bar Pin
7 Extractor Pin	34 Magazine Catch Spring
8 Extractor Spring	35 Cam
9 Firing Pin Block	36 Cam Spring
10 Firing Pin Block Spring	37 Ejector Pin Spring
11 Firing Pin Block Detent	38 Ejector
12 -	39 Interrupter
13 -	40 Ejector Pin
14 Rear Sight	41 Trigger Bar Spring
15 Firing Pin	42 Trigger Bar Disconnecter
16 Firing Pin Spring	43 Trigger Mechanism Housing
17 Main Spring	44 Magazine Catch
18 Main Spring Guide	45 Connecting Pin
19 Firing Pin Insert	46 Magazine Body
20 Firing Pin Retainer	47 Magazine Floorplate
21 Barrel	48 Magazine Spring
22 Recoil Spring	49 Follower
23 Recoil Spring Guide Rod	50 Magazine Base Lock
24 Frame	51 Loaded Chamber Indicator Nut *
25 Slide Stop	52 Loaded Chamber Indicator *
26 Slide Stop Spring	53 Loaded Chamber Indicator Spring *
27 Insert	

Comments:

* Available on request

TROUBLESHOOTING, CAUSES AND REMEDIES

If your pistol is properly used and maintained, malfunctions will rarely occur. However, if such a situation does occur, please observe the following instructions.

CAUTION - If a malfunction occurs, the possibility of unintentional discharge is substantially increased. For this reason, carefully observe the *Safety Instructions* already mentioned above. Keep the pistol pointed in a safe direction, do not turn the pistol against your body or anyone else's! Do not place your hands in front of the barrel!

If you use your pistol for self-defense, or in law enforcement, please acquire so-called "dummy cartridges" and practice fast clearing of malfunctions as described below.

Malfunction	Possible Cause	Remedy
A round has not been fed into the chamber or the slide has not fully locked with the barrel.	Magazine is not fully inserted or is damaged. The pistol or cartridges are fouled (dirty) or too heavily greased.	Insert magazine properly or change magazine. Clean the pistol and cartridges and wipe them dry or as case may be slightly lubricate.
Misfire	Defective cartridge Firing pin hole fouled (dirty) or improper lubrication agent used under low temperature conditions.	Pull the trigger again. If a discharge is not initiated, follow the Safety Instructions according to point 18. Disassemble and clean the firing pin or use a low temperature lubricant.
A shot sounds "weak" combined with failure to eject the cartridge case.	The primer has been activated but no powder load was inside the cartridge case.	Unload the pistol and check that the bullet is not lodged in the barrel. A subsequent shot could cause damage to the barrel.
The spent case has not been ejected.	Cartridge chamber, extractor or ammunition dirty, or unsuitable lubricant in low temperature environment.	Clean and wipe the pistol dry or lubricate lightly with a suitable agent. Use new and clean ammunition.

If you cannot clear away any malfunction in the manner described above, entrust the pistol to a competent gunsmith for inspection and repair.

TECHNICAL SPECIFICATIONS

Caliber			9 mm Luger, .40 S&W
Overall length	[mm]	177	
Height	[mm]	130	
Width	[mm]	31	
Weight with empty magazine	[g]	665	
Barrel length	[mm]	98	
Sight radius	[mm]	148	
Magazine capacity	9 mm Luger	[cartridges]	13 *
	.40 S&W	[cartridges]	10

* To some countries, the CZ 100 pistols are supplied with a reduced magazine capacity in compliance with local laws.

LIST OF ILLUSTRATIONS

1. The names of basic parts
2. Magazine loading
3. Pistol loading
4. Slide release from its rear position by depressing the slide stop
5. Holding of the pistol during connecting pin removal
6. Depression of connecting pin, using a magazine floorplate
7. Slide removal procedure
8. Firing pin disassembly
9. Magazine disassembly

The Company, reserves the right to make any changes it thinks necessary to improve its models or to meet any requirements of manufacturing or commercial nature.

POZNÁMKY - NOTES - ANMERKUNGEN

.....

.....

.....

.....

.....

.....

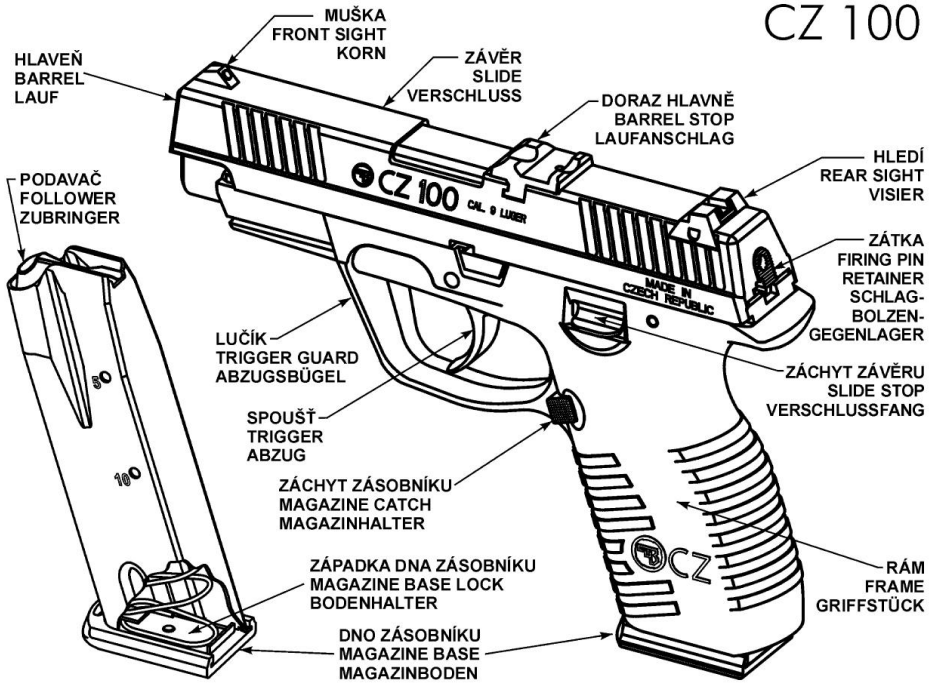
.....

.....

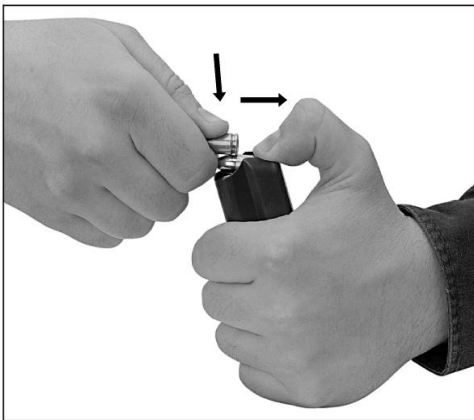
.....

.....

CZ 100



①



②



③



④



⑤



⑥



⑦



⑧



⑨