



BROWNING®

The Best There Is.

OWNER'S MANUAL

VERY IMPORTANT:

Save This Booklet. Carefully read this entire manual before using your new Browning firearm.

BUCK MARK 22 SEMI-AUTOMATIC
.22 CALIBER PISTOL

NEW GUN OWNERS RECORD

KEEP THIS RECORD FOR FUTURE REFERENCE

Browning Model

Serial Number

Gauge / Caliber

Purchase Price

Purchased From

Date of Purchase

Thank you for choosing a Browning Buck Mark 22.

Whichever model you purchased — the standard Buck Mark, Micro Buck Mark, Buck Mark 5.5, or Hi-Performance Buck Mark — it is certainly a gun you can be proud to own. The Buck Mark 22 is another in a long line of dependable, high quality Browning rimfire pistols. Each Buck Mark, .22 caliber, semi-automatic pistol uses a dependable blow-back action design with a removable magazine. John M. Browning invented his first semi-automatic pistol in 1894. The Buck Mark 22 has features that reflect the significant improvements and original ideas he contributed during more than 25 years of designing pistols. Since then, the Browning company has produced a variety of models designed for the sportsman and competitive target shooter. In every sense, the Buck Mark 22 is a true Browning. It gives you the kind of shooting enjoyment you've come to expect from the world's most respected gun company.

With a reasonable amount of care, your Buck Mark 22 pistol should give you many years of dependable, enjoyable service. Please feel free to write us immediately if you have any observations regarding its performance and operation.



One Browning Place, Morgan, Utah 84050-9326

Distributed in Canada by Browning Canada Sports Ltd./Lee

5617 Chemin St-Francois, St-Laurent, Quebec H4S 1W6

Printed in USA KP980720-98150

BUCK MARK 22 SEMI-AUTOMATIC .22 CALIBER PISTOL

You Are Responsible For Firearms Safety.

As a gun owner, you accept a set of demanding responsibilities. How seriously you take these responsibilities can be the difference between life and death.

THERE IS NO EXCUSE FOR CARELESS OR ABUSIVE HANDLING OF ANY FIREARM. AT ALL TIMES HANDLE YOUR BUCK MARK 22 AND ANY OTHER FIREARM WITH INTENSE RESPECT FOR ITS POWER AND POTENTIAL DANGER.

PLEASE READ AND UNDERSTAND THE CAUTIONS AND PROPER HANDLING PROCEDURES OUTLINED IN THIS BOOKLET BEFORE USING YOUR NEW FIREARM.

1 ALWAYS KEEP THE MUZZLE OF YOUR BUCK MARK 22 POINTED IN A SAFE DIRECTION.

Never point any firearm at anything you do not intend to shoot. Be extremely alert and aware of all persons and property within the range of your ammunition.

2 NEVER RELY TOTALLY ON YOUR FIREARM'S MECHANICAL "SAFETY" DEVICE.

The word "safety" describes a gun's blocking or disengaging mechanism for the trigger, sear, hammer and/or firing pin. Although mechanical devices place your Buck Mark 22 pistol in a SAFER status, no guarantee can be made that the gun will not fire even if the "safety" is on the "on safe" position.

LIKE ANY MECHANICAL DEVICE, A "SAFETY" CAN SOMETIMES FAIL; IT CAN BE JARRED OR INADVERTENTLY MANIPULATED INTO AN UNSAFE CONDITION.

Mechanical "safeties" merely aid safe gun handling and are no excuse for pointing your gun's muzzle in an unsafe direction.

While it is a good idea to "test" your gun's mechanical "safeties" periodically for proper function,

NEVER TEST IT WHILE YOUR GUN IS LOADED OR POINTED IN AN UNSAFE DIRECTION.

Safe gun handling does not stop with your gun's mechanical "safety" devices — it starts there. Always treat this pistol with the respect due a loaded, ready-to-fire firearm.

3 DO NOT CARRY YOUR BUCK MARK WITH A ROUND IN THE CHAMBER.

For good safety practice, it is recommended that a round not be chambered until immediately before your pistol is to be fired.

4 WHENEVER YOU HANDLE YOUR BUCK MARK 22, OR HAND IT TO SOMEONE, MAKE SURE IT IS COMPLETELY UNLOADED.

To fully unload your Buck Mark, you must first remove the magazine, open and lock the slide rearward, and visually inspect the chamber to be certain it does not contain a cartridge. It is vital that

you remove the magazine from your pistol so a cartridge is not automatically chambered when you close the action. Always keep the chamber empty and "safety" in the "on safe" position unless shooting is imminent (see page 7 & 11 for unloading procedures).

5 DO NOT TRANSPORT YOUR BUCK MARK 22 LOADED.

Keep it unloaded, whether stored in a holster, gun case or other container.

6 HUNTING FROM ELEVATED SURFACES SUCH AS TREE STANDS IS DANGEROUS,

and may increase the risk of handling a firearm. The following rules should always be observed by you and those you hunt with: **Always** make certain that the stand being used is safe and stable. **Always** make certain that your firearm is unloaded when it is being taken up and down from the stand. **Always** make certain that your firearm is not dropped from the stand, or dropped while it is being taken up or down from the stand. **Remember**, a loaded firearm may discharge when dropped, even with the safety in the on safe position.

7 **BEWARE OF BARREL OBSTRUCTIONS.**

When preparing to shoot your pistol, check for a barrel obstruction as follows: first fully unload the pistol by removing the magazine, locking the action open and inspecting the chamber. **BE CERTAIN NO LIVE ROUND IS IN THE CHAMBER.** Then glance down the barrel to be sure it is clear of any obstruction. It takes only one small obstruction to dangerously increase pressures. Before the first firing, clean the bore with a cleaning rod and patch, and wipe away any anti-rust compounds in the chamber and around the action.

BE ALERT TO THE SIGNS OF AMMUNITION MALFUNCTION.

If you detect an off sound or light recoil when a cartridge is fired, do not load another cartridge into the chamber. Fully unload by removing the magazine and removing the cartridge from the chamber. With the action open, glance down the barrel to make sure that an obstruction does not remain in the barrel. If there is an obstruction, completely clear the barrel

before loading and firing again. Failure to follow these instructions can cause extensive damage to your gun and possible serious injury to yourself and others.

8 **BE CERTAIN YOUR PISTOL IS UNLOADED BEFORE CLEANING.**

Because so many gun accidents occur when a firearm is being cleaned, special and extreme care should be taken to be sure your gun is unloaded before disassembly, cleaning and reassembly. Keep ammunition away from the cleaning location. Never test the mechanical function of any firearm with live ammunition.

9 **ALWAYS UNLOAD YOUR PISTOL WHEN NOT IN USE.**

Your responsibilities do not end when your firearm is unattended. Store your pistol and ammunition separately and well beyond the reach of children. Take all safeguards to ensure your pistol does not become available to untrained, inexperienced or unwelcome hands.

10 **USE THE PROPER AMMUNITION.**

The barrel and action of this pistol have been made with substantial safety margins over the pressures developed by established American commercial loads.

HOWEVER, BROWNING ASSUMES NO LIABILITY FOR ACCIDENTS WHICH OCCUR THROUGH THE USE OF CARTRIDGES OF NON-STANDARD DIMENSIONS OR THAT DEVELOP PRESSURES IN EXCESS OF COMMERCIALY AVAILABLE AMMUNITION THAT HAS BEEN LOADED IN ACCORDANCE WITH STANDARDS ESTABLISHED BY THE SPORTING ARMS AND AMMUNITION MANUFACTURERS INSTITUTE (SAAMI).

EXAMINE EVERY CARTRIDGE YOU PUT IN YOUR BUCK MARK PISTOL.

Your Buck Mark pistol is designed and chambered for 22 Long Rifle cartridges only. Browning cannot assume any responsibility for the use of unsafe or improper arms and ammunition combinations. It is your responsibility to read and heed all warnings in this instruction manual and on ammunition boxes.

11 **DISCHARGING FIREARMS IN POORLY VENTILATED AREAS, CLEANING FIREARMS, OR HANDLING AMMUNITION MAY RESULT IN EXPOSURE TO LEAD AND OTHER SUBSTANCES KNOWN TO CAUSE BIRTH**

DEFECTS, REPRODUCTIVE HARM AND OTHER SERIOUS PHYSICAL INJURY. HAVE ADEQUATE VENTILATION AT ALL TIMES. WASH HANDS THOROUGHLY AFTER EXPOSURE.

12 **DO NOT SNAP THE FIRING PIN ON AN EMPTY CHAMBER — THE CHAMBER MAY NOT BE EMPTY!**

Treat every gun with the respect due a loaded gun, even though you are certain the gun is unloaded.

13 **KEEP YOUR FINGER AWAY FROM THE TRIGGER WHILE UNLOADING AND LOADING — UNTIL YOU ARE READY TO SHOOT.**

14 **BE SURE OF YOUR TARGET AND BACKSTOP.**

Take additional care during low light periods. Know the range of your ammunition. Never shoot at water or hard objects.

15 **DROPPING YOUR BUCK MARK 22 WHEN LOADED CAN CAUSE AN ACCIDENTAL DISCHARGE EVEN WITH THE "SAFETY" ON.**

Be extremely careful while hunting or during any shooting activity, to avoid dropping a loaded firearm.

- 16 **ALWAYS COMPLETELY UNLOAD YOUR PISTOL'S CHAMBER BEFORE CROSSING A FENCE, CLIMBING A TREE, JUMPING A DITCH OR NEGOTIATING OTHER OBSTACLES.**

Never place your Buck Mark 22 on a car, or on any unstable object.

- 17 **IF YOUR BUCK MARK 22 FAILS TO FIRE, KEEP THE MUZZLE POINTED IN A SAFE DIRECTION.**

Hold this position for a minimum of 30 seconds. Carefully open the action and remove the cartridge. If the rim is indented, the cartridge should be disposed of in a way that cannot cause harm. If the rim is not indented, your firearm should be examined by a qualified gunsmith and the cause of the malfunction should be corrected before further use.

- 18 **WEAR EYE AND EAR PROTECTION WHEN SHOOTING.**

Unprotected, repeated exposure to gunfire can cause hearing damage. Wear hearing protectors (shooting ear plugs or muffs) to guard against such damage. Wear shooting glasses to protect your eyes from

flying particles. Always keep a safe distance between the muzzle of your firearm and any persons nearby, as muzzle blast, debris and ejecting shells could inflict serious injury. Also, wear eye protection when disassembling and cleaning your pistol to prevent the possibility of springs, spring-tensioned parts, solvents or other agents from contacting your eyes.

- 19 **BE DEFENSIVE AND ON GUARD AGAINST UNSAFE GUN HANDLING AROUND YOU AND OTHERS.**

Don't be timid when it comes to gun safety. If you observe other shooters violating any of these safety precautions, politely suggest safer handling practices.

- 20 **SUPERVISE AND TEACH FIREARMS SAFETY TO ALL MEMBERS OF YOUR FAMILY.**

This is especially important when children and nonshooters are involved. Closely supervise newcomers to the shooting sports. Encourage enrollment in hunting/shooting safety courses.

- 21 **NEVER DRINK ALCOHOLIC BEVERAGES OR TAKE ANY TYPE OF DRUGS BEFORE OR DURING SHOOTING.**

Your vision and judgment could be dangerously impaired, making your gun handling unsafe to you or to others.

- 22 **PERIODIC MAINTENANCE — AVOID UNAUTHORIZED SERVICING.**

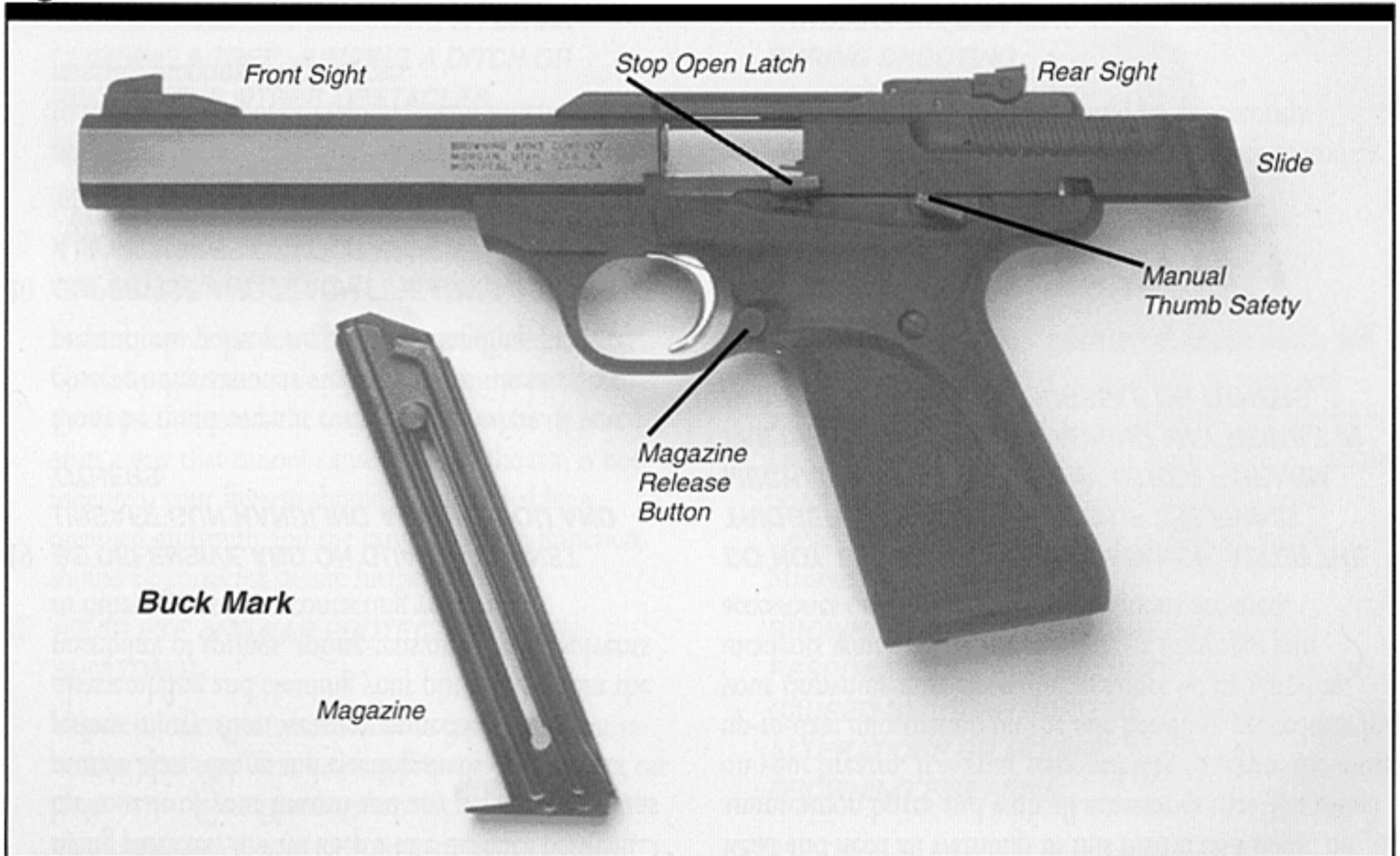
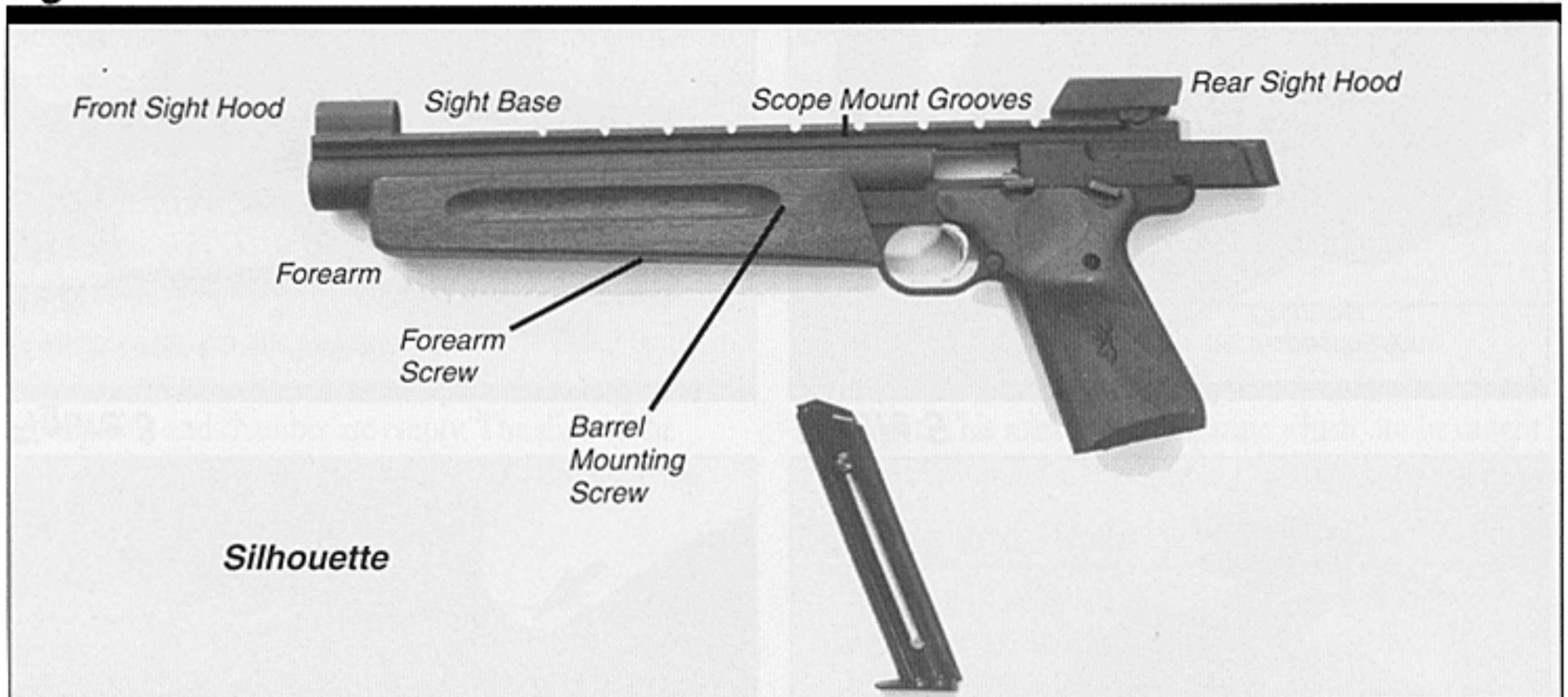
Your Buck Mark 22 is a mechanical device which will not last forever, and as such, is subject to wear and requires periodic inspection, adjustment, and service. Like all Browning firearms, your Buck Mark 22 should be serviced by a Browning Recommended Service Center or by Browning's service facility in Arnold, Missouri.

BROWNING CANNOT ASSUME ANY RESPONSIBILITY FOR INJURIES SUFFERED OR CAUSED BY UNAUTHORIZED SERVICING, ALTERATIONS OR MODIFICATIONS OF BROWNING FIREARMS.

Read and heed all warnings in this instruction book, on ammunition boxes and with all accessories that you install on your firearm. It is your responsibility to secure the most up-to-date information on the safe handling procedures for your Browning gun. Browning assumes no liability for incidents which occur when unsafe or improper gun accessories or ammunition combinations are used.

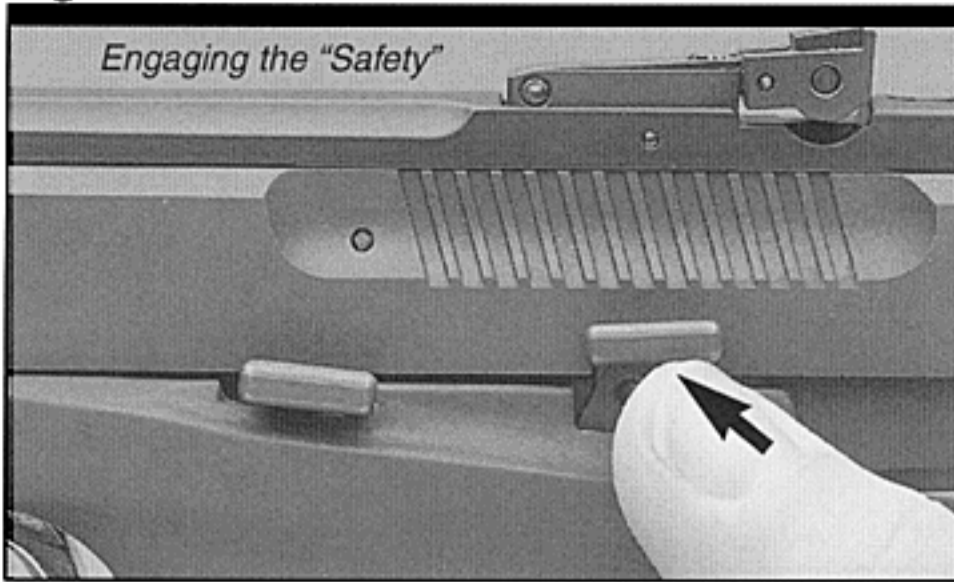
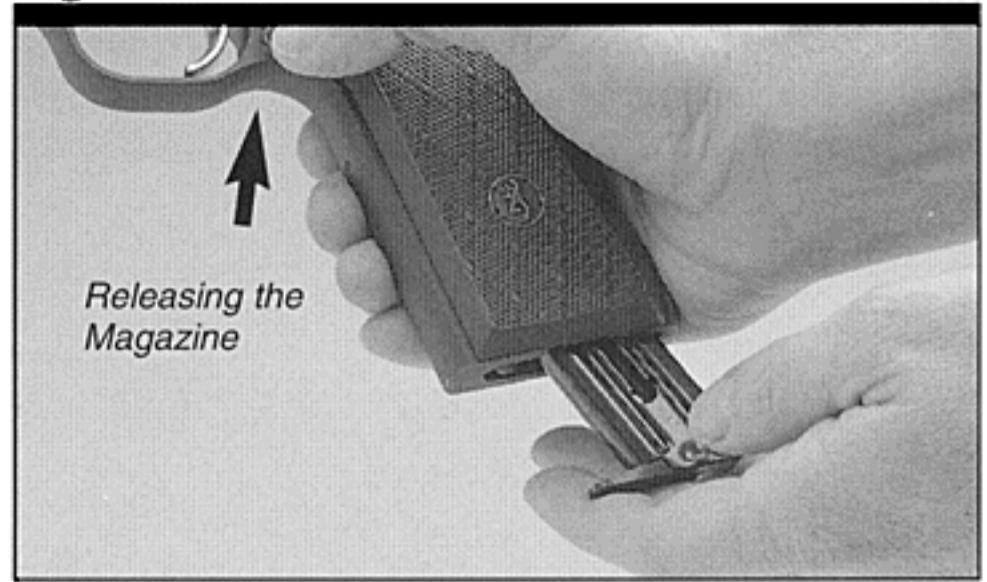
DO NOT, UNDER ANY CIRCUMSTANCE, ALTER THE TRIGGER, SAFETY OR PARTS OF THE FIRING MECHANISM OF THIS OR ANY OTHER FIREARM. FAILURE TO OBEY THIS WARNING MAY RESULT IN INJURY OR DEATH TO YOURSELF OR OTHERS.

BE CAREFUL!

Figure 1-A**Figure 1-B****Nomenclature**

In conventional gun terminology, the position and movement of pistol parts are described as they occur with the pistol horizontal and in normal firing position; i.e. the muzzle is forward or front; the pistol grip is rearward or rear; the trigger is downward or underneath; the sights are

upward or on top. For general nomenclature refer to Figure 1-A and 1-B. General functions and procedures are illustrated using the standard Buck Mark pistol. Procedures unique to an individual model are illustrated separately.

Figure 2**Figure 3****Figure 4****Figure 5**

Serial Number

The serial number of your Buck Mark 22 pistol can be found stamped on the left side of the pistol, in front of the trigger guard.

General Operation

Your new Browning is a blow-back operated, semi-automatic pistol. With the chamber and magazine loaded and the safety in the off safe or fire position, the pistol will fire a single round with each successive pull of the trigger until the magazine and chamber are empty. The slide of the pistol is designed to stay open after the last cartridge has been fired.

Safety

The Buck Mark 22 incorporates a thumb operated sear block "safety." To put the mechanism "on safe" the slide must be fully forward with the hammer cocked. The thumb safety lever is then pressed into the recess provided for it in the slide (See Figure 2). Note: this may require firm pressure. Be sure the lever travels its maximum upward movement and is completely engaged in the recess. Although the sear is now blocked, abusive handling such as a sharp blow could dislodge the hammer or otherwise cause the firing pin to move forward and discharge a cartridge.

Slide Stop Open Latch

When the slide is drawn rearward, the stop open latch can be raised to lock the slide in its open position. With a magazine loaded into the frame, this latch is automatically actuated to lock the slide after the last shot is fired (See Figure 3).

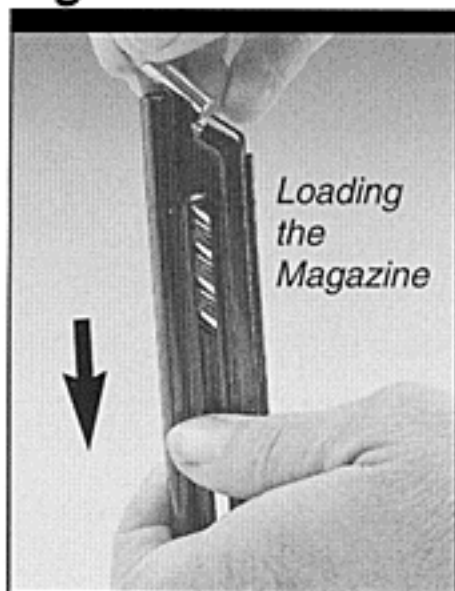
Removing the Magazine

To remove the magazine simply push the magazine release button located on the left side of the frame, behind the trigger. This releases the magazine which can be caught with the other hand and extracted (See Figure 4).

Loading and Firing

- 1 At all times while loading, **BE CERTAIN THE MUZZLE IS POINTED IN A SAFE DIRECTION.** With the slide locked to the rear, using the stop open latch, and with the magazine out of the gun, inspect the chamber to be sure it is empty (See Figure 5). Close the slide and place the manual thumb "safety" in the "on safe" position.

Figure 6

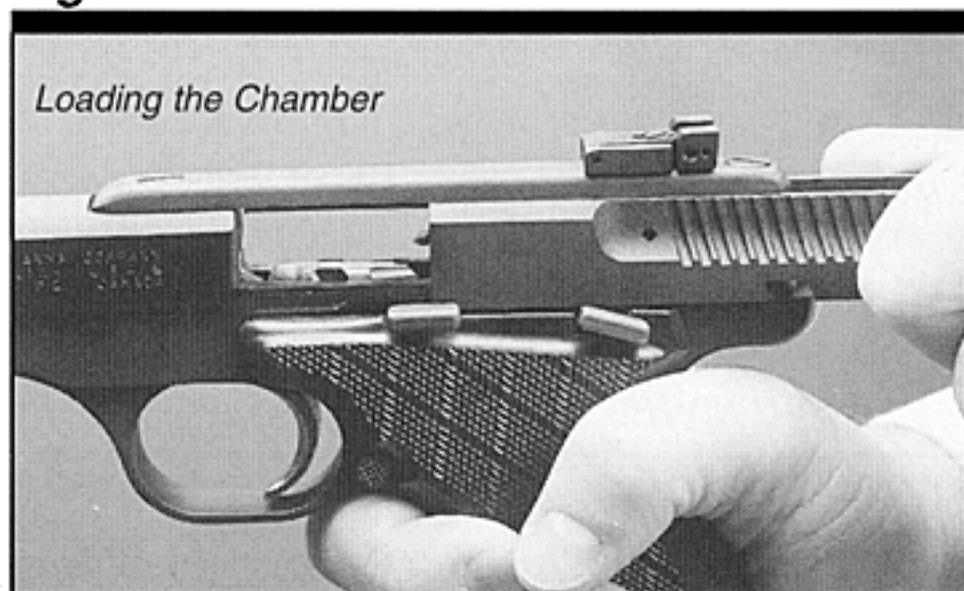


- 2 Depress the magazine's follower button with the thumb of one hand while inserting the cartridges with the other hand (See Figure 6). Insert the loaded magazine into the pistol, being certain that the magazine is pressed completely in and is being retained by the magazine latch.
- 3 To load the chamber, move the manual thumb "safety" lever down into the "off safe" position and pull the slide completely back. Release the slide. It will move forward under spring pressure and feed the first cartridge from the magazine into the chamber (See Figure 7).

THE PISTOL IS NOW READY FOR FIRING.

- 4 After pulling the trigger and firing the cartridge, the pistol automatically ejects the fired cartridge and feeds a fresh cartridge from the magazine into the chamber ready for a second shot. Thus the shooter may fire the pistol until the magazine is empty, merely by pulling the trigger for each shot. After the last shot is fired, the stop open latch automatically holds the slide in its open or rearward position.
- 5 During reloading, it is recommended that you remove the empty magazine, inspect the chamber to be sure it is empty, then close the slide and place the manual thumb "safety" in the "on safe" position. By inserting the loaded magazine with the slide closed, there is no danger of inadvertently tripping the stop open latch and feeding a live cartridge into the chamber from the magazine.

Figure 7



CAUTION: You will have observed by cocking the pistol that the slide moves rearward about one inch past the rear of the frame. In shooting, neither hand should be in a position where it could be hit by the slide in its rearward movement.

DO NOT USE UNORTHODOX SIGHTING METHODS WHERE THE PISTOL IS HELD CLOSE TO THE EYE.

Single Shot Loading and Shooting

If you should wish to teach a newcomer to the sport how to shoot with this pistol, we recommend single shot loading during training. However, do not load the single round directly into the chamber. The recommended procedure is:

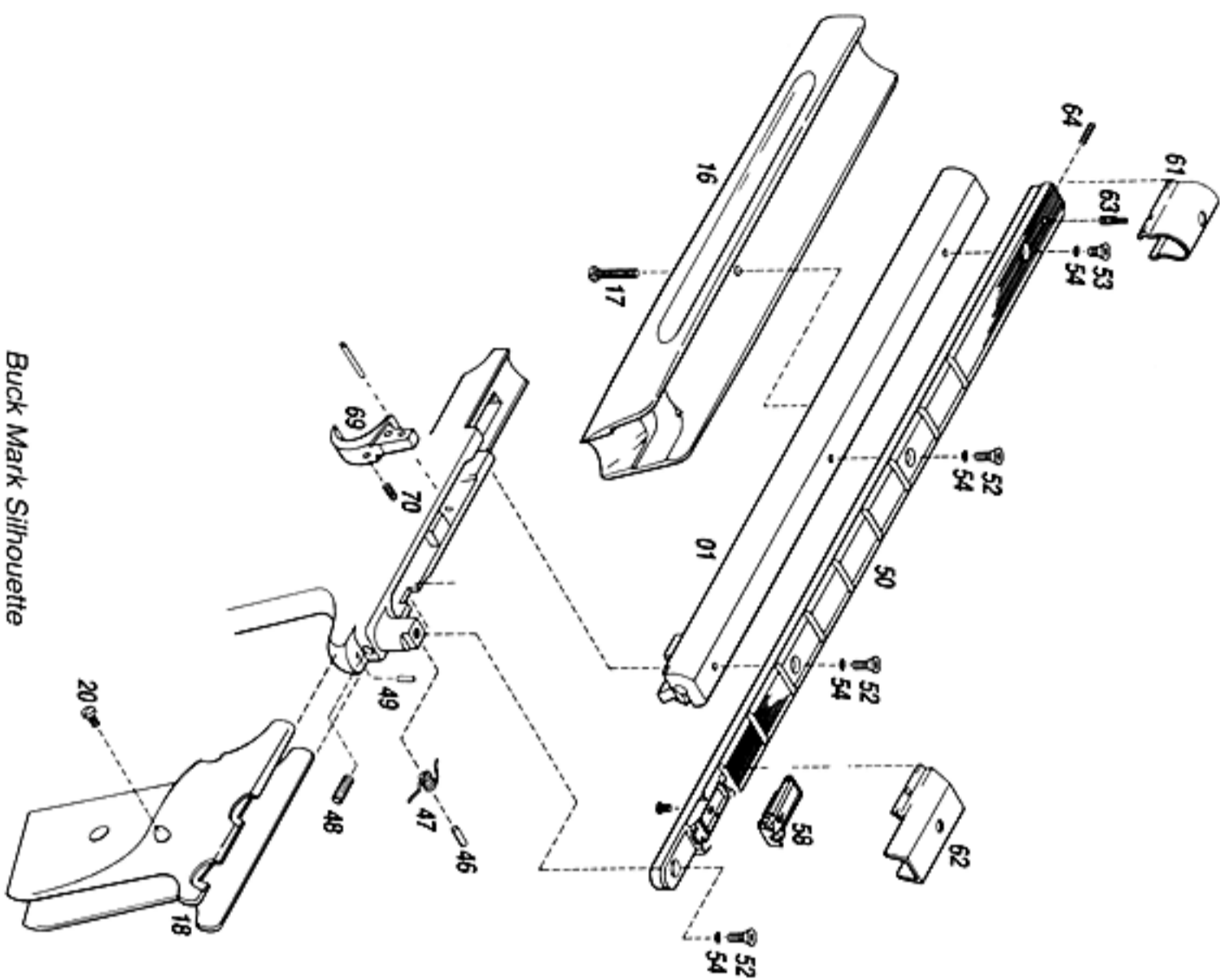
- 1 Remove the magazine from the pistol.
- 2 Inspect the chamber to sure it is empty.
- 3 Close the slide and place the manual thumb "safety" in the "on safe" position.
- 4 Load a single round into the magazine.
- 5 Insert the magazine into the pistol.
- 6 When shooting is desired, place the manual thumb "safety" in the "off safe" position.
- 7 With the finger away from the trigger, cycle the slide, feeding the single round from the magazine to the chamber.
- 8 **THE PISTOL IS NOW READY FOR FIRING.**

BROWNING BUCK MARK — SILHOUETTE & VARMINT

MODELS

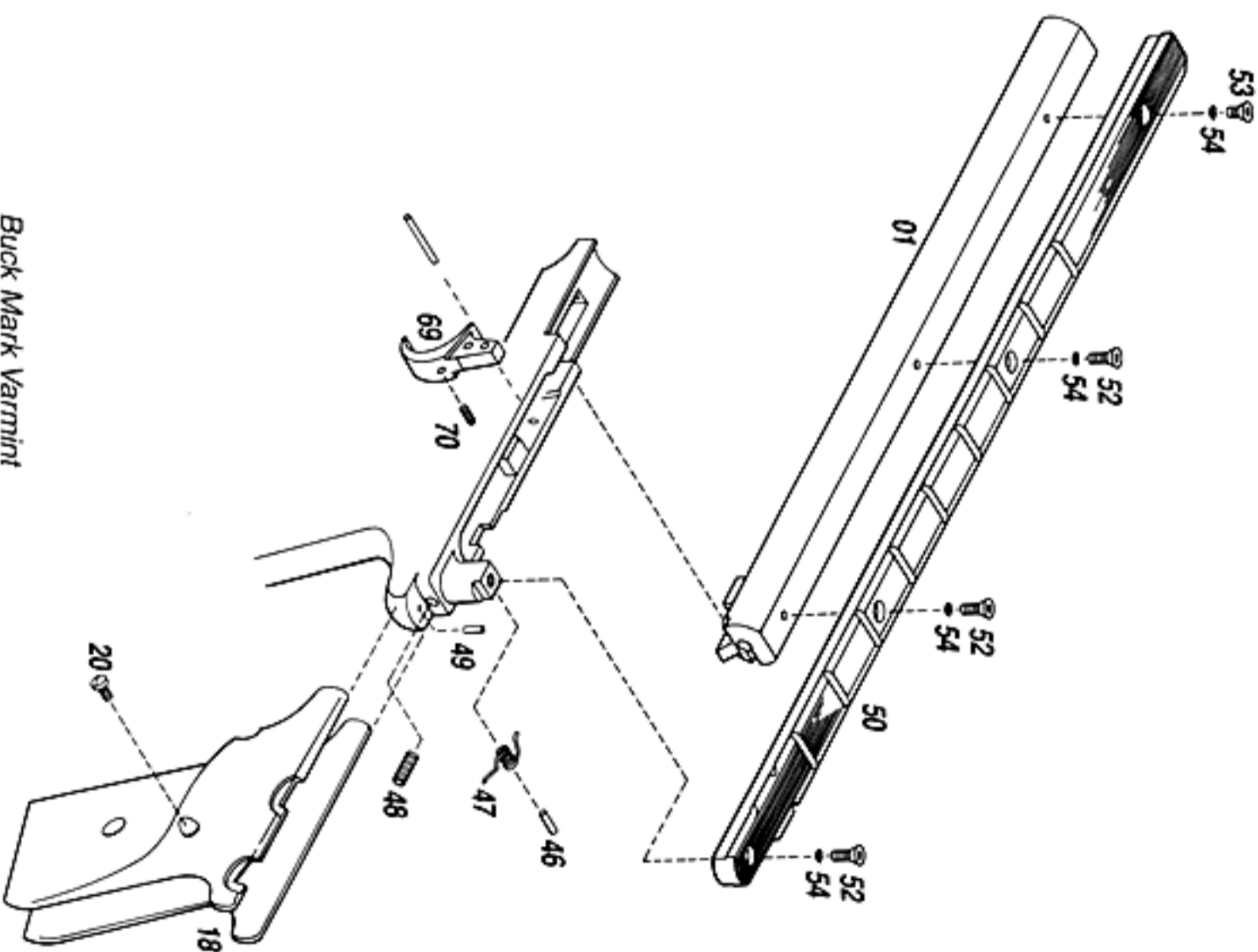
Schematic is provided for parts identification only and should not be used as a guide to assemble the guns.

IMPORTANT: When ordering parts, list the part number, the part name, the caliber, the model and the serial number. (Do not use key numbers when ordering.)



Buck Mark Silhouette

CAUTION: Browning parts are made exclusively for Browning guns and are not recommended for use in other guns even though the models may be similar. Inadequately fitted parts may be dangerous. *All repairs should be done only by qualified gunsmiths.*



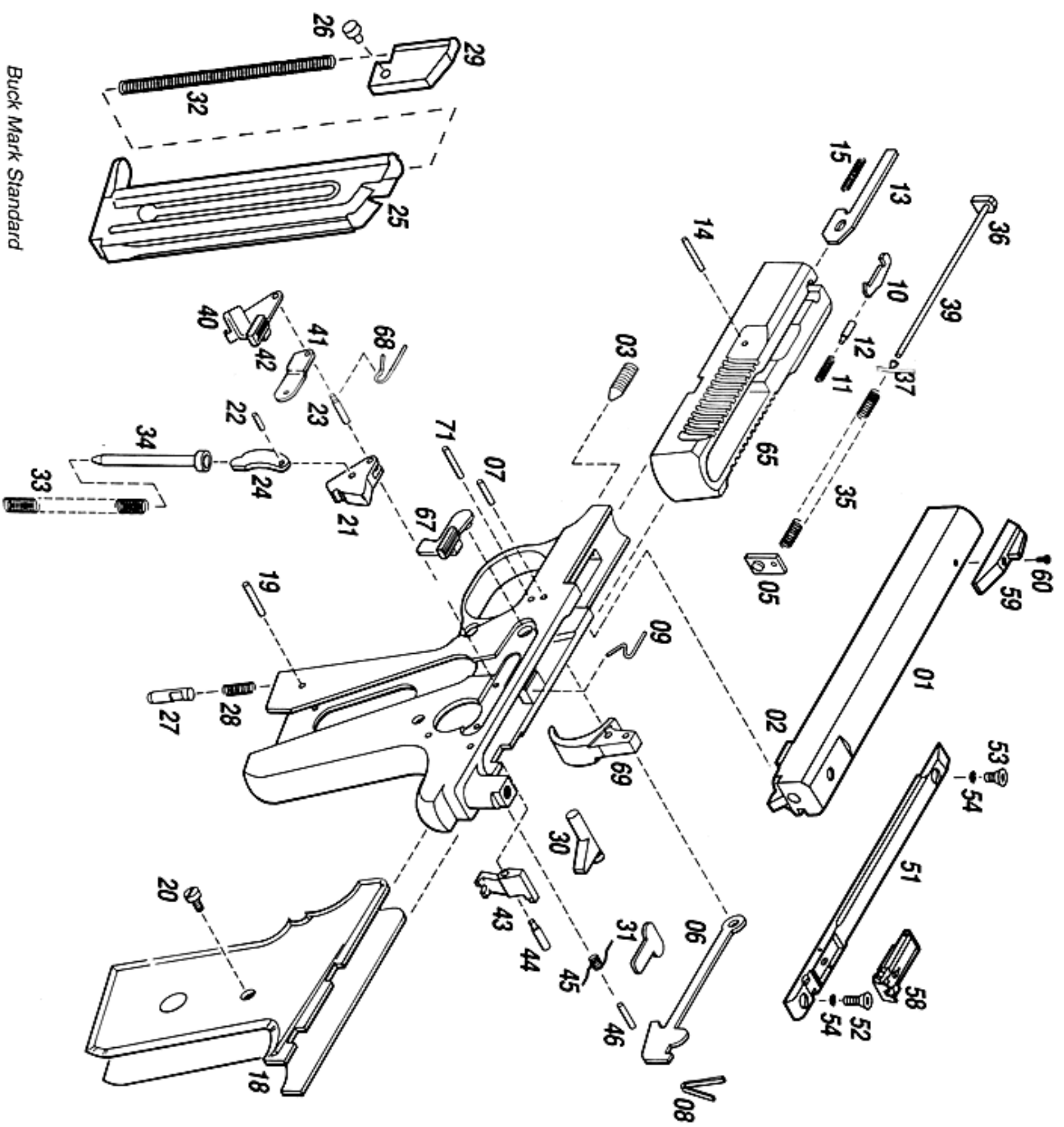
Buck Mark Varmint

BROWNING BUCK MARK, BUCK MARK PLUS, AND 5.5 22 SEMI-AUTOMATIC PISTOLS

Schematic is provided for parts identification only and should not be used as a guide to assemble the guns.

IMPORTANT: When ordering parts, list the part number, the part name, the caliber, the model and the serial number. (Do not use key numbers when ordering.)

CAUTION: Browning parts are made exclusively for Browning guns and are not recommended for use in other guns even though the models may be similar. Inadequately fitted parts may be dangerous. *All repairs should be done only by qualified gunsmiths.*

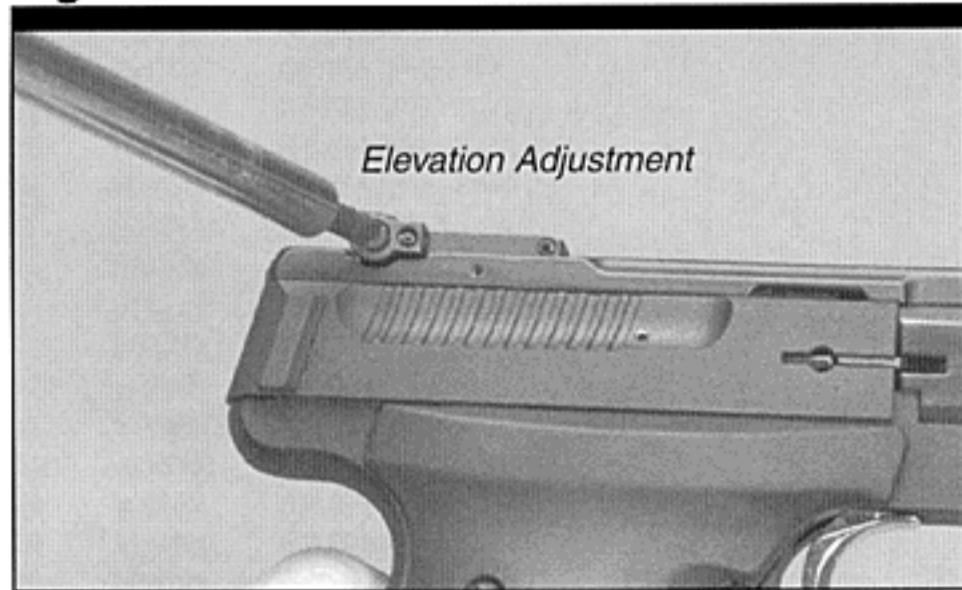


Buck Mark Standard

Parts List Browning Buck Mark 22 Semi-Automatic Pistol

PART NO.	DESCRIPTION		PART NO.	DESCRIPTION	
01	PO52702	Barrel Assembly	36	PO52682	Recoil Spring Guide
01	PO52803	Barrel Assembly, Field & Target 5.5	37	PO52683	Recoil Spring Guide Rod
01	PO52802	Barrel Assembly, Sil. & Var.	38	PO52681	Recoil Spring Guide Rod Retaining Ring
01	PO52810	Barrel, Unlimited	39	PO52805	Rib, Field 5.5
01	PO52815	Barrel, Buck Mark Bullseye	39	PO52808	Rib, Gold 5.5
01	PO52760	Barrel, Nickel	39	PO52811	Rib, Unlimited
01	PO52708	Barrel 4", Micro Buck Mark & Buck Mark Plus		PART NO.	DESCRIPTION
01	PO52762	Barrel 4", Micro Buck Mark Nickel	39	PO52804	Rib, Target 5.5
02	PO50447	Barrel Block	40	*PO50524	Safety Assembly with Thumbpiece
03	PO50448	Barrel Mounting Screw Fine Thread Slot Type	40	*PO52768	Safety, Nickel with Thumbpiece
04	PO52767	Barrel Screw, Nickel	41	*PO50484	Safety Click Plate
05	PO52501	Buffer	42	PO52723	Safety & Stop Open Latch Thumb Piece
06	*PO52703	Disconnecter	43	*PO52485	Sear
07	PO52705	Disconnecter Pin	44	PO52486	Sear Pin
08	PO50452	Disconnecter Spring	45	PO52487	Sear Spring
09	PO50453	Ejector	46	PO52488	Sear Spring Pin
10	PO50454	Extractor	47	PO52881	Sear Spring, Adjustable, Sil. & Varmint
11	PO50456	Extractor Spring	48	PO52883	Sear Spring Adjusting Screw, Sil. & Varmint
12	PO50455	Extractor Spring Plunger	49	PO52884	Sear Spring Adjusting Screw Stop Pin, Sil. & Var.
13	*PO52657	Firing Pin		PO52893	Shell Deflector
14	PO52658	Firing Pin Retainer	50	PO52859	Scope Base Rib, Varmint
15	PO52659	Firing Pin Spring	50	PO52857	Sight Base Rib, Silhouette
16	PO52870	Forearm, Silhouette	50	PO52804	Sight Base Rib, Target 5.5
17	PO52871	Forearm Screw, Silhouette	51	PO52693	Sight Mounting Base, Buck Mark, Standard & Plus
18	PO52662	Grip Left Hand, II, III & Buck mark	52	PO52695	Sight Base Rib screw
18	PO52661	Grip Right Hand, II, III & Buck mark	53	PO52686	Sight Base Rib Screw Front, Standard & Plus
18	PO52863	Grip right, contoured walnut, right hand shooter	54	PO52697	Sight Base Rib screw washer
18	PO52864	Grip left, contoured walnut, right hand shooter	55	PO52775	Sight Base Screw front, Nickel
18	PO52866	Grip right, contoured walnut, left hand shooter	56	PO52777	Sight Base Screw rear, Nickel
18	PO52865	Grip left, contoured walnut, left hand shooter	57	PO52826	Sight Base Retaining Pin Rear, Sil.
			58	PO52754	Sight Assembly, Pro Target
18	PO52861	Grip walnut with finger groove, right: Varmint, Sil. & 5.5 Models		PO52842	Sight Base, Pro Target
18	PO52862	Grip walnut with finger groove, left: Varmint, Sil. & 5.5 Models		PO52843	Sight Blade, Pro Target
18	PO52663	Grip right, Buck Mark Plus, Laminated		PO52843	Sight Blade, Pro Target
18	PO52664	Grip left, Buck Mark Plus, Laminated		PO52685	Sight Blade Pin, Pro Target
18	PO52661	Grip right, rubberized, II, III & Buck Mark		PO52845	Sight Elevator detent spring, Pro Target
18	PO52662	Grip left, rubberized, II, III & Buck Mark		PO52846	Sight Elevator screw, Pro Target
18	PO52869	Grip right, rosewood target, right hand shooter		PO52847	Sight Elevator screw detent, Pro Target
18	PO52872	Grip left, rosewood target, right hand shooter		PO52848	Sight Elevator screw detent retaining pin, Pro Target
18	PO52873	Grip right, rosewood grooved, right hand shooter		PO52849	Sight Leaf, Pro Target
18	PO52874	Grip left, rosewood grooved, right hand shooter		PO52850	Sight Leaf pin, Pro Target
18	PO52875	Grip right, rosewood target, left hand shooter		PO52851	Sight Leaf spring, Pro Target
18	PO52876	Grip left, rosewood target, left hand shooter		PO52852	Sight Windage screw, Pro Target
18	PO52877	Grip right, rosewood grooved, left hand shooter		PO52853	Sight Windage screw detent, Pro Target
18	PO52878	Grip left, rosewood grooved, left hand shooter		PO52854	Sight Windage screw detent spring, Pro Target
18	PO52867	Grip right, nickel plus		PO52855	Sight Windage screw retaining ring, Pro Target
18	PO52868	Grip left, nickel plus	59	*PO52689	Sight Front, Buck Mark
19	PO50514	Grip Pin	59	*PO52763	Sight Front, Nickel
20	PO50464	Grip Screw		*PO52806	Sight Front, Field 5.5
20	PO52765	Grip Screw, Nickel		PO52807	Sight, Pin Front, Field 5.5
21	*PO52465	Hammer	60	PO52688	Sight, Screw Front, Buck Mark
22	PO50468	Hammer Link Pin	60	PO52764	Sight, Screw Front, Nickel
23	PO52466	Hammer Pin	61	PO52891	Sight Hood Front, Silhouette
24	PO52467	Hammer Link	62	PO52892	Sight Hood Rear, Silhouette
25	PO52605	Magazine Body	63	PO52889	Sight Post Front, Silhouette & 5.5 Target
26	PO52672	Magazine Button	64	PO52887	Sight Post Lock Screw, Silhouette & 5.5 Target
27	PO50520	Magazine Ejector	65	*PO52694	Slide
28	PO50521	Magazine Ejector Spring	65	*PO52761	Slide, Nickel
29	PO52673	Magazine Follower	66	PO52769	Stop Open Latch, Nickel
30	PO52674	Magazine Latch	67	PO52525	Stop Open Latch Assembly with Thumbpiece
30	PO52766	Magazine Latch, Nickel	68	PO50497	Stop Open Latch Spring
31	PO52676	Magazine Latch Spring	69	*PO52698	Trigger
32	PO52677	Magazine Spring	69	PO52898	Trigger Adjustable, Sil. & Varmint
33	PO52478	Mainspring	70	PO52897	Trigger Travel Limit Screw, Sil. & Var.
34	PO52480	Mainspring Plunger	71	PO50475	Trigger Pin, Buck Mark
35	PO50481	Recoil Spring			Sil. (Silhouette Model), Var. (Varmint Model)

* Indicates part must be fitted by Browning Service Department or qualified gunsmith.

Figure 8

Unloading

To remove the cartridge remaining in the chamber, be certain the muzzle is pointed in a safe direction, raise the thumb "safety" lever to its "on safe" position, press the magazine release button and withdraw the magazine from the pistol. Then move the "safety" to the "off safe" position and slowly pull rearward on the slide to extract and eject the cartridge from the chamber.

INSPECT THE ACTION AND CHAMBER TO BE SURE NO LIVE CARTRIDGE REMAINS IN THE PISTOL. With the magazine removed, the stop open latch must be raised manually to hold the slide open.

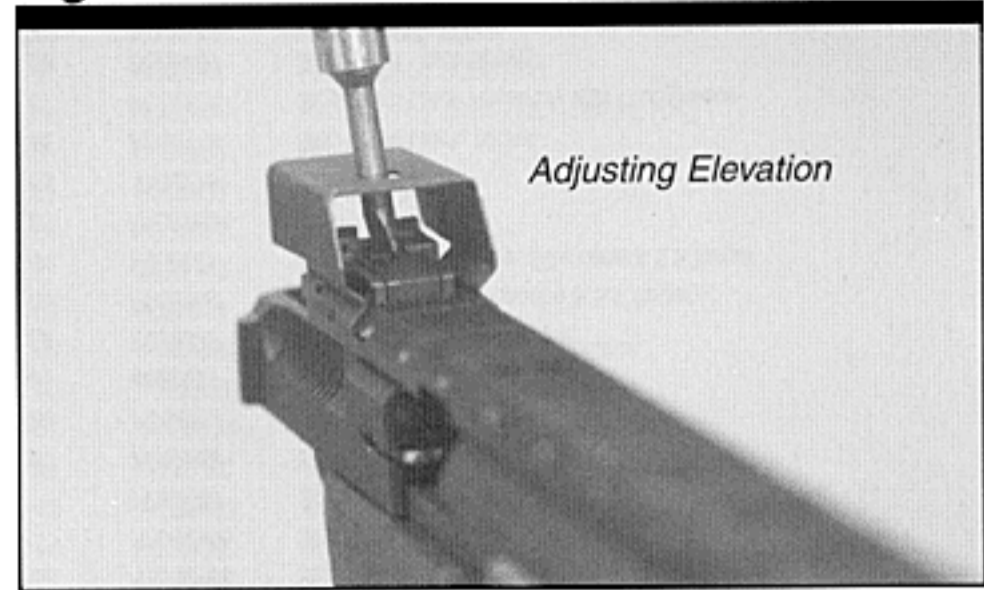
Sight Adjustment Buck Mark & Micro Buck Mark

All Buck Mark pistols are equipped with Browning Pro Target Sights. These precision rear sights are screw adjustable with 16 clicks per revolution on both the elevation and windage screw.

When performing all sight adjustment procedures, **MAKE SURE YOUR PISTOL IS FULLY UNLOADED.**

Remove the magazine, check the chamber and point the muzzle in a safe direction.

WINDAGE — To move the point of impact to the right, turn the screw located on the right side of the sight in a clockwise direction (See Figure 8).

Figure 9

To move the point of impact to the left, turn the screw in a counterclockwise direction.

ELEVATION — To raise the point of impact, turn the elevation screw, located just forward of the rear sight notch, in a counterclockwise direction. To lower the point of impact, turn the elevation screw in a clockwise direction (see Figure 9).

Sight Adjustment Silhouette & Target 5.5 Models

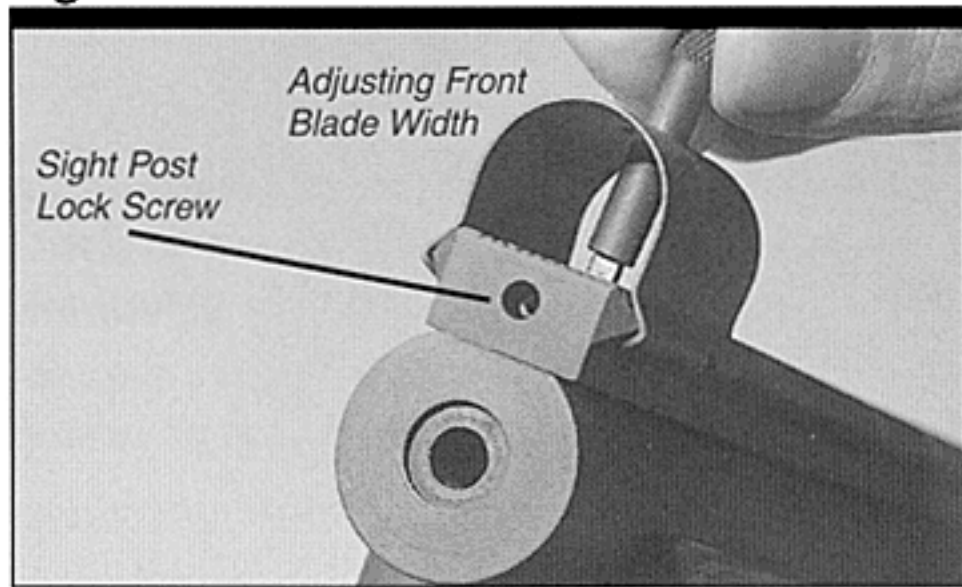
When performing all sight adjustment procedures **MAKE SURE YOUR PISTOL IS FULLY UNLOADED.**

Remove the magazine, and check the chamber for cartridges. Always point the muzzle in a safe direction during actual adjustments.

The Silhouette and Target 5.5 also have a fully adjustable Browning Pro Target rear sight with an adjustable front post sight. Both front and rear sights are hooded. To adjust the sights it is not necessary to remove the front and rear sight hoods.

FRONT SIGHT ADJUSTMENTS — The front blade can be adjusted for elevation and for width to accommodate more precise sight settings and different stances.

Figure 10



BLADE WIDTH— To increase or decrease the width of the blade, loosen the front set screw found on the front of the top sight rib (above the muzzle) with the 1/16" Allen wrench (supplied). Insert the slotted front sight adjusting wrench (supplied) into the access hole at the top of the sight hood and rotate the blade up to 90 degrees, to the desired width (See Figure 10). Retighten the set screw with the allen wrench.

BLADE ELEVATION— Vertical point of impact can be changed by lowering or raising the front blade. Loosen the set screw as explained above. Again, using the slotted adjusting wrench, turn the blade clockwise to lower the blade and **RAISE** the point of impact. Turn the blade counterclockwise to raise the blade and **LOWER** the point of impact.

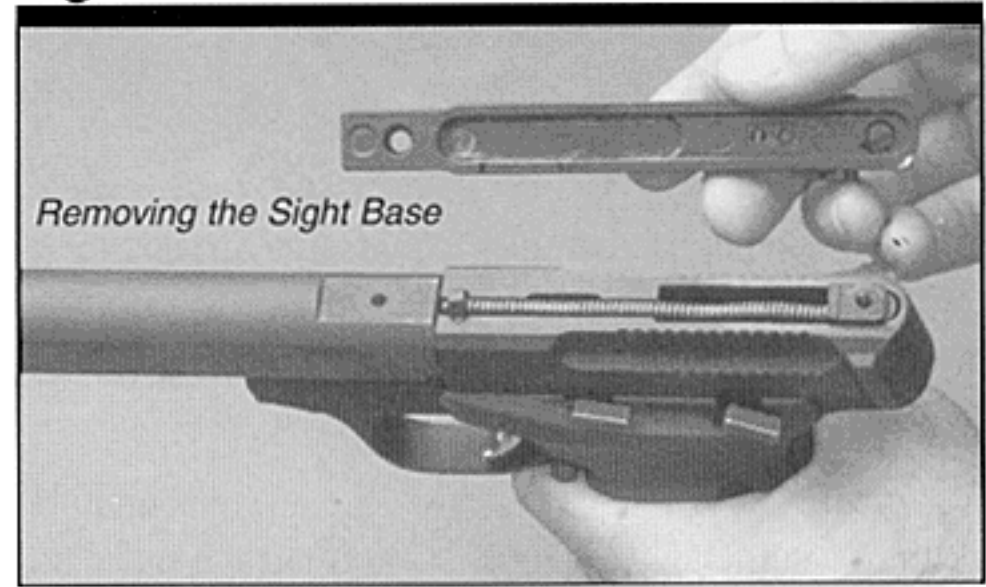
REMOVING THE SIGHT HOODS —

If it becomes necessary to remove the sight hoods, **TAKE SPECIAL CARE TO AVOID MARRING THE FINISH OF YOUR BUCK MARK PISTOL.**

The front hood can be removed by sliding it forward off the sight base. The rear hood is removed by inserting your index finger inside the hood and pulling up and outward on one side of the hood until it comes off.

(Replace in reverse order.)

Figure 11



Sight Adjustment Varmint Model

The Varmint Model comes ready to accept scope mounts and a scope. The grooves on the rib are designed to fit mounts with a full-width attaching screw. Adjust your scope or optical sight according to the instructions contained with your scope.

Disassembly Buck Mark & Buck Mark Plus Models

CAUTION: WEAR EYE PROTECTION WHEN DISASSEMBLING AND CLEANING YOUR PISTOL TO PREVENT THE POSSIBILITY OF SPRINGS, SPRING-TENSIONED PARTS, SOLVENTS OR OTHER AGENTS FROM CONTACTING YOUR EYES.

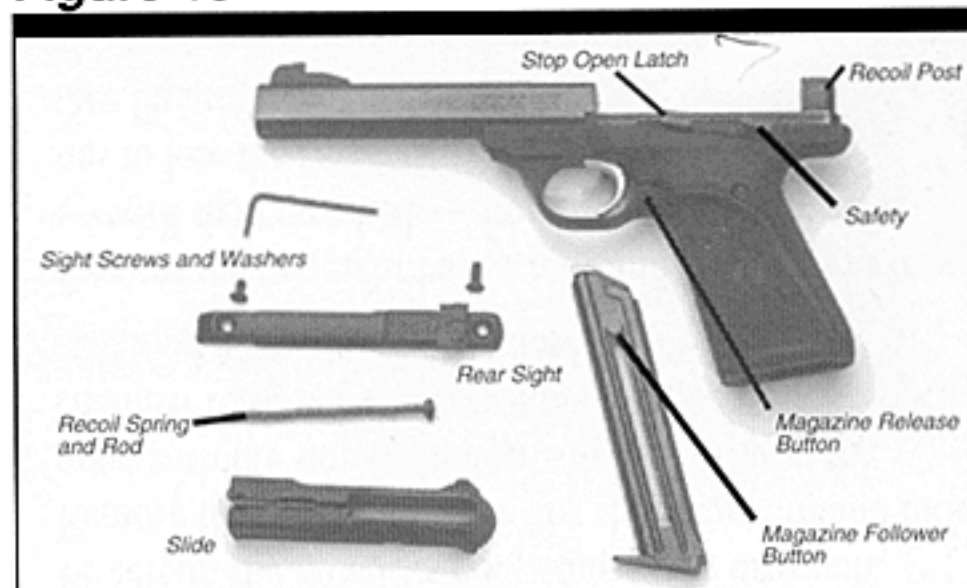
BE CERTAIN YOUR PISTOL IS UNLOADED. REMOVE THE MAGAZINE AND INSPECT THE CHAMBER. KEEP THE MUZZLE POINTED IN A SAFE DIRECTION.

- 1 Be certain the muzzle is pointed in a safe direction. Remove the magazine. Draw the slide rearward and lock open with the stop open latch. Visually inspect the chamber to be certain it is empty. Release the stop open latch and allow the slide to close.
- 2 Remove the two sight base screws and lift the sight base — with sight attached — from the frame. Be careful not to lose the two lockwashers (See Figure 11).

Figure 12

CAUTION: WHEN REINSTALLING THE REAR SIGHT BASE SCREWS MAKE CERTAIN TO REPLACE THE LOCKWASHERS. ALWAYS USE THE SIGHT BASE SCREW LOCKWASHERS SUPPLIED WITH YOUR PISTOL. IF LOST, ORDER NEW LOCKWASHERS FROM BROWNING. FAILURE TO USE A BROWNING SIGHT BASE SCREW LOCKWASHER MAY MAKE IT VERY DIFFICULT TO REMOVE THE REAR SIGHT SCREW.

- 3 Pull the slide back approximately one inch and lift the recoil rod upward from the slide (See Figure 13). The buffer will usually remain in place in the slide in front of the recoil post; however, it may stay affixed to the end of the recoil rod. In either case, remove the rod and set aside for cleaning.
- 4 Lift the slide from the frame. This is sufficient disassembly for all practical cleaning and lubrication required (See Figure 14 for fully disassembled Standard Buck Mark). Further disassembly should be performed only by a competent gunsmith or the Browning service facility. Do not remove the grips from the pistol, as they serve to retain and position internal parts.

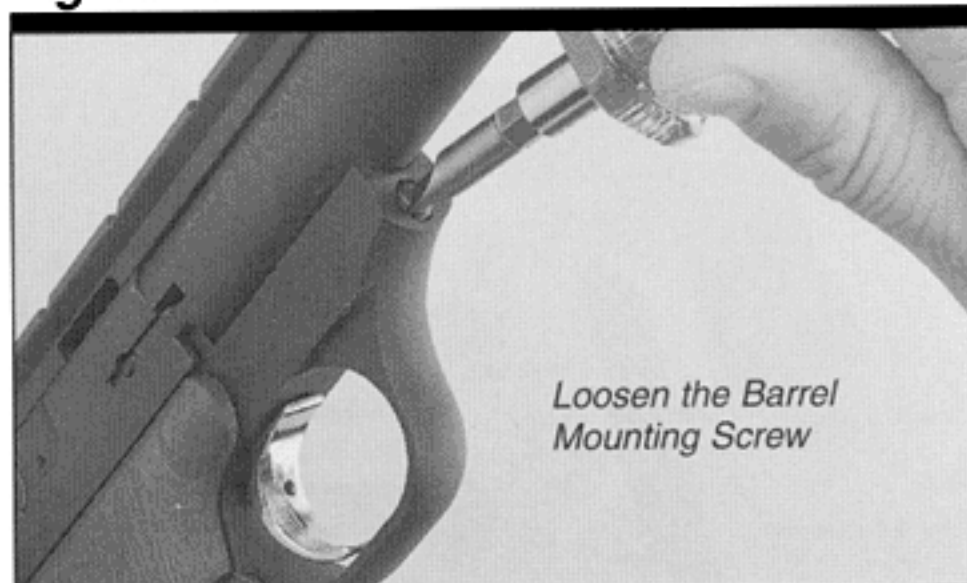
Figure 13

Disassembly Silhouette, Varmint & Target 5.5 models

Disassembly of the Silhouette, Varmint and Target 5.5 models is identical to the regular Buck Mark with a few minor exceptions.

Figure 14

- 1 First, remove the forearm (Silhouette Models only). To do this, unscrew the forearm screw located on the bottom of the forearm, in the center. Lift the forearm away from the barrel.
- 2 Remove the rear sight base screw located behind the rear sight (See Figure 14). On Silhouette and Target 5.5 models the sight hood may have to be removed by inserting your index finger inside the hood and pulling up and outward on one side of the hood until it comes off. (Replace in reverse order.)

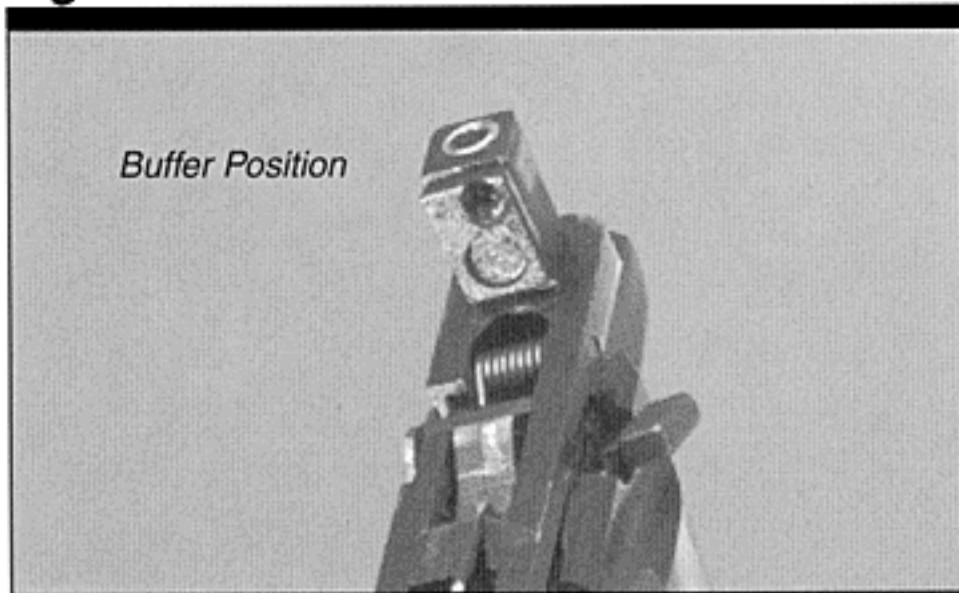
Figure 15**Figure 16**

CAUTION: WHEN REINSTALLING THE REAR SIGHT BASE SCREW MAKE CERTAIN TO REPLACE THE LOCKWASHER. ALWAYS USE THE SIGHT BASE SCREW LOCKWASHER SUPPLIED WITH YOUR PISTOL. IF LOST, ORDER A NEW LOCKWASHER FROM BROWNING. FAILURE TO USE A BROWNING SIGHT BASE SCREW LOCKWASHER MAY MAKE IT VERY DIFFICULT TO REMOVE THE REAR SIGHT BASE SCREW.

- 3 Loosen the barrel mounting screw — found below the barrel, at the front of the frame — approximately 2 1/2 turns (See Figure 15).
- 4 To remove the barrel, pull the slide back about 1/2". Then pivot the barrel down and lift the barrel off of the frame (See Figure 16). Set the barrel aside.

- 5 Remove the recoil spring and slide. To do this pull the slide back approximately one inch and lift the recoil rod upward from the slide. The buffer will usually remain in place in the slide, in front of the recoil post; however, it may stay affixed to the end of the recoil rod. In either case, remove the rod and set it aside for cleaning (See Figure 12.)
- 6 Lift the slide from the frame. This is sufficient disassembly for all practical cleaning and lubrication required. Further disassembly should be performed only by a competent gunsmith or a Browning service facility.

Do not remove the grips from the pistol, as they serve to retain and position internal parts.

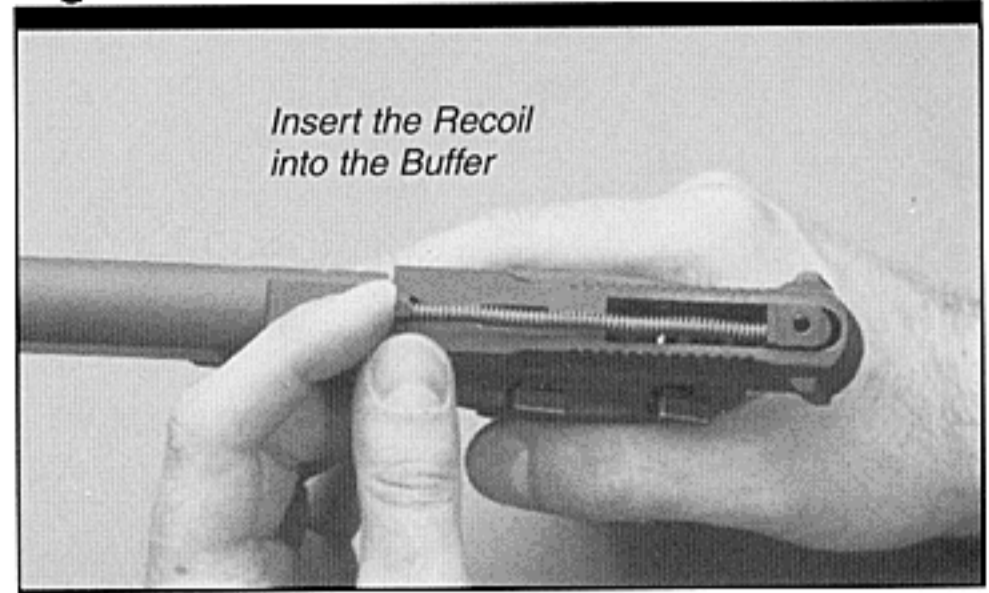
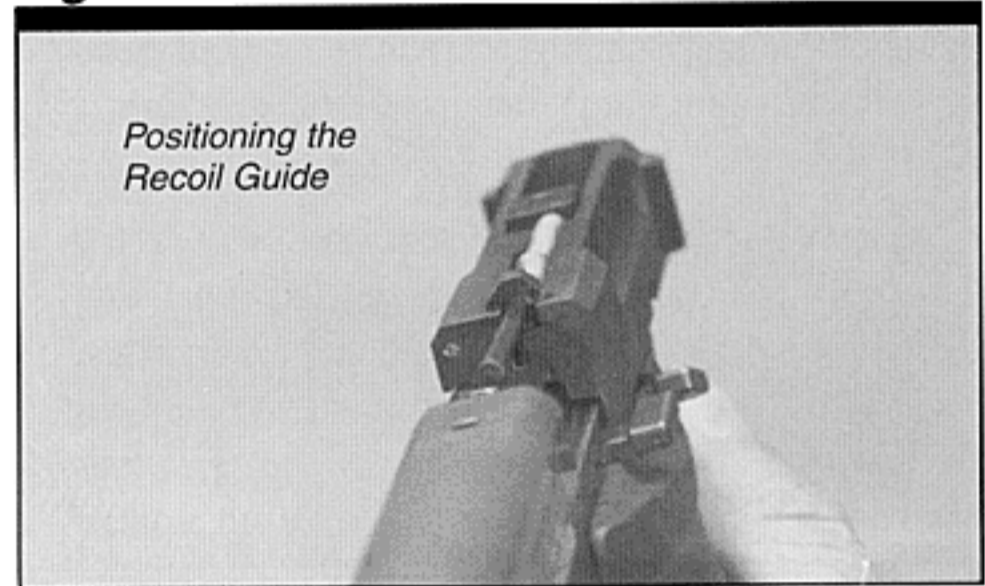
Figure 17

Reassembly Buck Mark & Buck Mark Plus Models

- 1 Make sure the buffer is in place on the recoil post. The circular projection of the buffer faces rearward to match its opposing recess in the recoil post. The hole in the buffer should be on top (See Figure 17).
- 2 Replace the slide on the frame.
- 3 Insert the rear end (pointed) of the recoil rod through the hole in the buffer, and into the hole on the recoil post (See Figure 18).
- 4 Slide the recoil guide back slightly (compressing the spring less than 1/8") until the recoil guide can be pushed down into the recoil guide recess in the slide. Make sure that the two beveled edges are upward (See Figure 19).
- 5 Align the lockwashers over the screw holes in the sight base.

ALWAYS USE THE SIGHT BASE SCREW LOCK WASHER SUPPLIED WITH YOUR PISTOL. FAILURE TO USE A BROWNING SIGHT BASE SCREW LOCKWASHER MAY MAKE IT VERY DIFFICULT TO REMOVE THE REAR SIGHT BASE SCREW.

- 6 Position the rear sight in place and install the screws. (The rear sight base screw is the longer of the two.)
- 7 Check all screws to make sure they are tight.

Figure 18**Figure 19**

Reassembly Silhouette, Varmint & Target 5.5 Models

- 1 Make sure the buffer is in place on the recoil post. The circular projection of the buffer faces rearward to match its opposing recess in the recoil post. The hole in the buffer should be on top (See Figure 17).
- 2 Replace the slide on the frame.
- 3 Insert the rear end (pointed) of the recoil rod through the hole in the buffer, and into the hole on the recoil post (See Figure 18).
- 4 Slide the recoil guide back slightly (compressing the spring less than 1/8") until the recoil guide can be pushed down into the recoil guide recess in the slide. Make sure that the two beveled edges are upward (See Figure 19).
- 5 Pull the slide rearward about 1/2". At the same time "tip" the barrel tang into the tang recess in the frame (See Figure 20). Pivot the barrel up, and the rear of the

Figure 20

sight base downward, until the sight base comes into alignment with the top of the slide.

- 6 Allow the slide to return forward.
- 7 Tighten the barrel mounting screw.
- 8 Replace the rear sight base screw and lockwasher and tighten. (On Silhouette and Target 5.5 models replace the rear sight hood, if it was removed.)

ALWAYS USE THE SIGHT BASE SCREW LOCK WASHER SUPPLIED WITH YOUR PISTOL. FAILURE TO USE A BROWNING SIGHT BASE SCREW LOCKWASHER MAY MAKE IT VERY DIFFICULT TO REMOVE THE REAR SIGHT BASE SCREW.

- 9 Replace the forearm on the barrel (Silhouette and Target 5.5 only).

Cleaning Suggestions

WEAR EYE PROTECTION WHEN DISASSEMBLING AND CLEANING YOUR PISTOL.

- 1 Disassemble the pistol as previously described in the section titled "Disassembly" on page 13.
- 2 The slide assembly may be cleaned with any good cleaning solvent or light oil and then dried with a clean cloth, or preferably blown clean with air pressure, if available. Be sure to wear eye protection whenever cleaning your pistol.

- 3 Clean the barrel using a pistol cleaning rod with a tip and a patch made for 22 caliber pistols. Depending on the amount of use, the barrel may need to be cleaned with a good quality nitro solvent. Ordinarily a light lubricating oil will suffice for this purpose.
- 4 Use a small brush to remove dirt or other foreign matter from the other parts of the action. Lightly lubricate all moving parts with a good, light gun oil. Use oil sparingly; a very light film is sufficient. Browning Gun Oil is ideally suited for this purpose.
- 5 Frequently inspect your pistol and magazine to determine a need for cleaning. Normally, the magazine should be cleaned at least after every 500 to 1000 rounds. This assures the best operation since a certain amount of lubricant and dirt will gradually collect in the mechanism. Place the magazine in a good gun cleaning solvent and agitate to loosen and remove dirt and grease. While the magazine is still submerged, cycle the magazine follower back and forth a few times. Shake all excess solvent from the

magazine and dry with a cloth, or preferably blow clean with air pressure, if available.

CAUTION: MOST SOLVENTS ARE HIGHLY FLAMMABLE. APPROPRIATE SAFETY MEASURES SHOULD BE PRACTICED WHEN WORKING WITH SOLVENTS.

General Specifications

	Field & Buck Mark	Micro Buck Mark	Target 5.5	Silhouette	Varmint	Unlimited
Caliber	.22 LR	.22 LR	.22 LR	.22 LR	.22 LR	.22 LR
Finish	Matte/Polished	Matte/Polished	Matte	Matte	Matte	Matte
Barrel Length	5 1/2"	4"	5 1/2"	9 7/8"	9 7/8"	14"
Overall Length	9 1/2"	8"	9 5/8"	14"	14"	18 1/8"
Width	1 5/16"	1 5/16"	1 5/8"	1 5/8"	1 5/8"	1 5/8"
Height	5 1/4"	5 1/4"	5 5/16"	5 5/16"	5 5/16"	5 5/16"
Weight Unloaded	36 oz.	32 oz.	35 1/2 oz.	53 oz.	48 oz.	64 oz.
Sight Radius	8"	6 1/2"	8 1/4"	12 1/2"	12 1/2"	15"
Rear Sight	Pro Target	Pro Target	Pro Target	Pro Target	*	Pro Target
Front Sight	Ramp	Ramp	Adjustable	Adjustable	*	Adjustable
Trigger	Preset	Preset	Adjustable	Adjustable	Adjustable	Adjustable

*Full length sight base, beveled and grooved for pistol scope rings.

Service or Repair

If your firearm should require service or repairs, we suggest you first contact a local recommended Browning Firearms Service Center. Contact your Browning sporting goods dealer or call our Service Department for the address of the Service Center nearest you. Otherwise, you may send your firearm directly to our own Service Department. For technical questions about your firearm or service call our Service Department.

Browning Service Department
One Browning Place
Arnold, Missouri 63010-9406
Phone: 1-800-322-4626

Canadian Customers call or write:

Browning Canada Sports Ltd./Ltee,
5617 Chemin St-François
St-Laurent, Quebec H4S 1W6
Phone: (514) 333-7261

When returning your firearm for servicing, you *must* do the following:

- Be sure it is completely unloaded.
- Package it securely in a cardboard container.
- Enclose a letter with your firearm that clearly describes the trouble experienced and the repairs or alterations desired.
- If convenient, send a copy of the letter to us separately.
- Never return ammunition with your firearm. It is against postal and most commerce regulations.

If you have any questions about this manual or about any other Browning products, call or write our Consumer Information Department:

Browning Consumer Information
One Browning Place
Morgan, Utah 84050-9326
Phone: (801) 876-2711