

Bedienungsanleitung

Instruction Leaflet

KK-Matchgewehre Small Bore Target Rifles

Mod. 1907 · 1912 · 1913



STOP

Bitte sorgfältig lesen, bevor Sie
dieses Gewehr zusammenbauen
oder benutzen.

Please read carefully before you
assemble or operate this rifle.

ANSCHÜTZ

®

DIE MEISTER MACHER

Inhaltsverzeichnis

Vorwort	S.03
Sicherheitshinweise	S.03
Allgemeiner Umgang mit Gewehren	S.04
Gehör- und Augenschutz	S.06
Gesetze	S.06
Produktspezifische Sicherheitshinweise	S.07
Haftung	S.07
Technische Daten	S.08
Montage und Systembefestigung	S.08
Spannen, Laden, Sichern	S.09
Entladen	S.09
Abzug	S.11
Bestell-Nummern	S.16
Trockentrainingseinrichtung	S.17
Reinigung, Pflege, Wartung, Öle	S.17
Zubehör	S.18
Garantie	S.18
Urheberschutz	S.19
Explosionsdarstellungen / Ersatzteillisten ..	S.34
Garantieschein	S.67

Index

Preface	p.19
Safety instructions	p.19
General handling of rifles	p.21
Ear and eye protection	p.22
Laws	p.22
Product relating safety instructions	p.22
Liability	p.23
Technical data	p.23
Assembly, fitting the ANSCHÜTZ barreled action ...	p.24
Cocking, loading and safety operation	p.25
Unloading	p.25
Bolt	p.25
Trigger	p.26
Order-numbers	p.31
Dry firing device	p.32
Cleaning, maintenance, care, lubrication ..	p.32
Accessories	p.33
Warranty	p.33
Copyright	p.33
Drawings / Spare parts	p.34
Warranty card	p.67



DIE MEISTER MACHER

Preface

*Dear Friends of ANSCHÜTZ,
You have made a good choice, now that you have decided to buy an ANSCHÜTZ product. The many great results obtained with ANSCHÜTZ rifles by target shooters, participants in the Olympic Games as well as in World and European championships throughout the world made your choice easy, as your rifle has benefited from our great experience of making fine sporting and target rifles since 1856. World-wide, ANSCHÜTZ rifles are respected because of their fine accuracy, impeccable design and immaculate workmanship. Should you still be unaware, they include:*

The famous ANSCHÜTZ small bore target rifles, air rifles and air pistols; small bore biathlon rifles and repeater summer biathlon air rifles; hunting rifles and shotguns in diverse calibers, small bore single loaders and repeaters, Flobert rifles, silhouette pistols, silhouette rifles and Varmint rifles.

Safety instructions

Attention:

Please read carefully the following articles before using this rifle. It is extremely important that you become thoroughly familiar with this rifle and its operating characteristics by carefully reading and understanding the instructions in this booklet before you attempt any use of it with ammunition. Always remember the

sequence of disassembly. Should you still have problems with the safe usage and correct handling of your rifle or should you have additional questions, please do not hesitate to contact a competent gunsmith or dealer or address our factory directly. This instruction leaflet is extraordinarily important. Make sure that it is always with the rifle especially when it is sold, lent or otherwise given to a third person. Our products are exclusively meant for target shooting. Their use is subject to the „General Technical Rules“ for all target shooting disciplines of the INTERNATIONAL SHOOTING SPORT FEDERATION (ISSF), Bavariaring 21, 80336 München, Germany or to the rules of the INTERNATIONAL BIATHLON UNION, Airportcenter, Postbox 1, A-5073 Wals-Himmelreich, Austria. Additional copies of this booklet can be ordered.

This ANSCHÜTZ firearm has been carefully test fired and inspected before shipment from the factory. The mechanism of this firearm has been properly designed, tested and fitted with the utmost attention to safety. However, any mechanical device can fail and no such device can prevent accidents caused by carelessness or thoughtless handling. ANSCHÜTZ cannot control the handling of each firearm once they leave the factory. Please take the time to inspect the firearm carefully before use.

DO NOT USE ANY FIREARM WITHOUT A COMPLETE UNDERSTANDING OF IT'S SAFE USE AND PROPER HANDLING CHARACTERISTICS.

Warning:

This rifle can be dangerous if it is not used correctly or if this instruction leaflet is not observed. The privilege of ownership and safe use of your rifle carries a personal responsibility that no one should take lightly. Rifle accidents would not occur if the following rules of shooting safety were observed.

The Ten Commandments of Firearms Safety

- Learn the mechanical and handling characteristics of the firearm you are using.
- Always keep the muzzle pointed in a safe direction.
- Firearms should be unloaded when not in use.
- Be sure the barrel is clear of obstructions before using.
- Be sure of your target before you shoot.
- Wear shooting glasses and ear protection when you shoot.
- Never climb a tree or fence with a loaded firearm.
- Don't shoot at a hard surface or at water.
- Never transport a loaded firearm.
- Avoid alcoholic beverages or drugs when shooting or handling a gun.

Please note:

There is no substitute for personal responsibility and common sense in the handling, use and storage of firearms. Securely store your unloaded guns away from access by children or unauthorized adults.

General handling of rifles

1. Treat every rifle as though it was loaded. Do not take anyone's word or automatically assume it is not loaded. Check your rifle personally each time you handle it. The safe and courteous way to carry a rifle when you are with others is to leave the bolt open so that they can easily see that the rifle cannot be fired. Make sure that the rifle is not loaded when you stop shooting. Make sure your rifle is unloaded before every transport. Never pick up your rifle with your finger on the trigger or the trigger guard.

2. Whenever you pick up your rifle, point the muzzle at the ground. Always point the muzzle of the barrel in a safe direction. Never pull a rifle towards you by the muzzle.

3. Only use your rifle in approved shooting ranges. Shoot your rifle only under good visibility and daylight conditions. If you use your rifle in an indoors range, make sure it is adequately ventilated. Make sure that there is a safe bullet trap which can be seen from all sides and that there is no one in the vicinity of your target. Be absolutely sure of a safe backstop and target. Never fire at a hard, smooth surface or water.

Never shoot at a skyline target or into the air. Do not shoot at anything from which a bullet may ricochet. Never fire your rifle with the muzzle in the water or against any other material to avoid an accident or damage of your rifle.

4. Be sure that you use the correct ammunition. The correct calibre can be seen on your rifle. Load your rifle only when you are at the range and ready to shoot. Use only genuine ANSCHÜTZ magazines. Do not exceed the stated magazine capacity. Alterations to the rifle or the use of non-ANSCHÜTZ magazines and accessories may cause malfunctions.

5. Always keep your rifle clean. Be sure the bore is not obstructed by dirt, water, grease or any other foreign materials. Never try to shoot out any obstruction.

6. Serious injury and damage can result from the use of the wrong ammunition, bore obstructions, or incorrect cartridge components.

7. Place the safety fully into „S“ or „F“ position - never inbetween. Always keep safety in full „safe“ position until ready to fire. Do not put your finger on the trigger when operating the safety or whenever you are not ready to shoot.

8. When not in use your rifle should be stored in a locked and secure place accessible only to you. Check first to make sure it is unloaded. Store the rifle with uncocked trigger. Store ammunition in a separate and secure place. It is your special responsibility to make sure that at

all times and especially when you are not present your rifle is well secured, out of any reach of children, careless adults and other unauthorised persons and in no way accessible to them. Never place any firearm in such a manner that it may be dislodged. For the safe storage of your rifle even in a locked cabinet or safe the use of an additional trigger lock is recommended. Only give your rifle to authorised persons. Never let your rifle be used by anyone who is not familiar with the safe handling of a rifle and these instructions. This rifle must only be used by a responsible adult or under his or her supervision.

9. Watch for any change in the operation of your rifle which might impair its safety. If you suspect or note a defect or malfunction, stop using it immediately, unload the rifle, make sure that it is not under pressure and send it to a competent gunsmith, the factory or its recommended repair station for inspection. Note: Apart from normal cleaning the rifle must only be disassembled by an authorized gunsmith. Unqualified handling or disassembly can cause injuries or irreparable damage of the rifle.

10. Your rifle should always be handled with extreme care. Make sure that it is never dropped or placed in such a way that it can fall. For transport purposes your rifle should be dry and clean. We recommend an approved protective and lockable gun case.

11. You must be in good physical condition and mental health and not under the influence of any substance (drugs, alcohol) which might impair vision, dexterity or

judgement. Do not use your rifle when you are tired. Tiredness may result in a loss of control.

12. Clean your hands carefully after shooting and cleaning your ANSCHÜTZ product. Residues of bullets, powder or oil might impair the health of your skin.

13. Your ANSCHÜTZ rifle has been carefully built and inspected by skilled technicians to provide maximum efficiency. The service life depends on the owner's care and on cleaning following this instruction leaflet.

Ear and eye protection

You and other persons should always use approved hearing protection and approved shatterproof eye protection while shooting.

Laws

When using a firearm observe the corresponding regulations and laws for the use of firearms in your country.

Product related safety instructions

Important note for the handling of rifles:

1. Unload your rifle immediately if you do not intend to continue shooting. Remove the bolt or leave it open at least. In the case of a repeater remove the magazine as well. Make sure there is no cartridge left in the chamber.

2. Make sure there is nobody in the area of case ejection.

3. If you store the rifle remove the bolt and store the bolt uncocked in a separate place.

Important note for the handling of ammunition:

1. Exclusively use clean, factory loaded and new ammunition in the caliber approved for your rifle.

2. Be aware that the range of a bullet starting from cal. .22 l.r. might be 1,6 km or even longer. Therefore also be sure of the safety of the impact area.

Liability

1. ANSCHÜTZ does not assume any responsibility or payment of damage claims for damages of any kind resulting from the disregard of these instructions, non-qualified treatment or repair, the use of non-original ANSCHÜTZ spare parts, incorrect handling, negligence, removal of the knot varnish or unauthorized modifications.

2. The stock of this rifle has been very carefully checked by factory inspectors prior to shipment and has been determined to be free of defects. Certain kinds of abuse, such as dropping of the rifle can cause damage to the stock for which the owner is solely responsible. We also assume no responsibility for defects resulting from inappropriate transportation (mail, forwarding agency, plane, etc.). Please **immediately** contact your transporter in such a case.

3. Changes or alterations to this rifle or any of its parts are prohibited. Such changes or alterations can significantly impair the safe use of our product and can lead to accidents involving severe or even fatal bodily injuries. Any product warranty will automatically lapse in case changes or alterations are implemented. Users are requested to carefully inspect the product with regard to possible changes and alterations before use. In case of doubt you should contact us for further information.

Small bore target rifles

Mod. 1907 · 1912 · 1913

Technical data:

1907 · 1907 in stock 2213

Caliber:	.22 l.r. / .22 l.r.
Barrel length:	66 cm / 66 cm 25.9" / 25.9"
Rifling:	66 cm / 66 cm 25.9" / 25.9"
Total length:	113 cm / 109-112 cm 44.4 / 42.91" - 44.09"
Sighting line:	77 cm / 77 cm 30.3" / 30.3"
Weight:	4,8 kg / 5,2 kg 10.5 lbs / 11.57 lbs
Version:	Single loader

1907 in stock 1912

Caliber:	.22 l.r.
Barrel length:	66 cm / 25.9"
Rifling:	66 cm / 25.9"
Total length:	106-109 cm 41.7" - 42.9"
Sighting line:	77 cm / 30.3"
Weight:	5,2 kg / 11.4 lbs
Version:	Single loader

1907 Light

Caliber:	.22 l.r.
Barrel length:	66 cm / 25.9"
Rifling:	66 cm / 25.9"
Total length:	113 cm / 44.4"
Sighting line:	77 cm / 30.3"
Weight:	4,4 kg / 9.6 lbs
Version:	Einzellader

1913 · 1913 in stock 2213

Caliber:	.22 l.r. / .22 l.r.
Barrel length:	69 cm / 69 cm 27.1" / 27.1"
Rifling:	69 cm / 69 cm 27.1" / 27.1"
Total length:	114-117 cm 112-115 cm 44.8"- 46.0" 44.09"- 45.27"
Sighting line:	80 cm / 80 cm 31.4" / 31.4"
Weight:	6,5 kg / 5,6 kg 14.3 lbs / 12,3 lbs
Version:	Single loader

1913 in stock 1907

Caliber:	.22 l.r.
Barrel length:	69 cm / 27.1"
Rifling:	69 cm / 27.1"
Total length:	116 cm / 45.6"
Sighting line:	80 cm / 31.4"
Weight:	5,0 kg / 11.0 lbs
Version:	Single loader

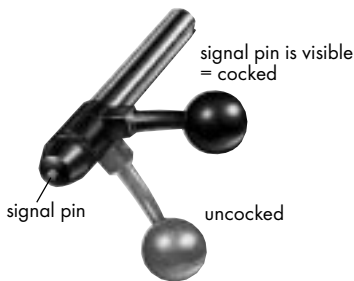
Assembly, fitting the ANSCHÜTZ barreled action

The stock, the barreled action and the bolt are packed separately for shipment and need to be assembled. However, do not

do this until you have followed all the procedures listed below.

- Wipe away excess oil from the barreled action and the bolt.
- Insert the cocked bolt (also see chapter „Disassemble the bolt“). The bolt is cocked when the red ring at the end of the bolt is visible (see picture).
- Insert the barreled action into the barrel channel in the stock and press both parts together. Please note that the abutment must fit exactly to the shape of the receiver in the stock as otherwise correct joining together of both parts cannot be guaranteed. The top surface of the abutment must not touch the bottom of the receiver, however.
Note: The abutment in the stock must be inserted into the mill-out at the bottom of the receiver. It must not touch it, however.
- Screw in bedding screws with enclosed Allen wrench Model No. 4406 (Order No. 710.6301). First slightly tighten all screws. Then tighten the front screws and subsequently the rear screws (in the direction of the muzzle). For correct adjustments we recommend our torque wrench model No. 4405 (Order No. 700.6180), which is to be adjusted to 5 Nm (= 50 cmkp) for wood stocks and to 6 Nm (60 cmkp) for aluminum stocks.
- Pull a cleaning patch through the barrel from the chamber towards the muzzle several times.

After assembly for the first time large settlements of the stock wood may occur. Consequently we suggest that you tighten the screws once more in the manner described after some time. Check the the screws before every shooting.



Cocking, loading and safety operation

- Degrease the bolt and the interior of the barrel without leaving lint.
- Open the bolt and pull it back to the stop. Carefully insert an approved cartridge with the bullet forward with the thumb into the chamber. Make sure that the bullet is not damaged.
- Now push the bolt forward to close the breech and ensure that the bolt handle is pushed completely downwards to lock it. The bolt is now locked and cocked.
- After firing, lift the bolt handle and pull the bolt fully to the rear. This will cock the bolt again and eject the empty case.

The safety is located on the left-hand side of the receiver. It can be operated in cocked position.

The rifle is

- safe, when the „S“ (safe) is visible but the „F“ (fire) is covered
- ready for shooting when the „F“ (fire) is visible but the „S“ (safe) is covered.

Unloading

For safety reasons the rifle must immediately be unloaded if you intend to stop shooting. Unlock and open the bolt. This will eject the cartridge. Please also see safety instructions for the handling of rifles and pistols.

Bolt

To disassemble the bolt

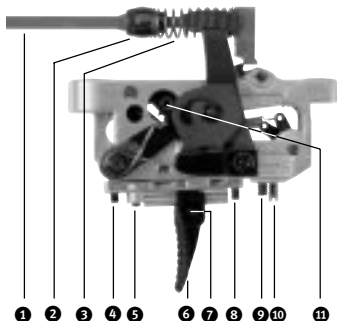
- Depress the bolt stop at the left hand side of the receiver (procedure with true left hand rifles vice-versa) and keep it pressed until the bolt is completely removed from the receiver.
- For disassembling, unlock the bolt by rotating the bolt handle clockwise (for left-handed bolts counter-clockwise). The red signal pin protruding at the end of the cocked bolt will disappear into the cap.
- Unscrew the cap. Attention: During the first twists you can hear a ratcheting sound.
- The firing pin and the associated parts of the bolt may be removed now one after the other.
- To remove the firing pin spring from the firing pin push back the front spring support until it stops and twist it slightly to the right or the left (approx. 1/4 turn).

You can now easily remove the spring support together with the spring by pulling it forward.

To reassemble the bolt:

Note: the sequence and position of the parts can be seen from the drawing.

- First push back the firing pin spring then the front spring support over the firing pin. Push back the spring support until it stops and lock by twisting it slightly either clockwise or counter-clockwise (approx. 1/4 turn).
- Hold the bolt body perpendicular to the ground. Slide the bolt handle with its wide front surface to the front onto the end of the bolt body. Turn the bolt handle until the cocking cam is in line with the slot at the end of the bolt body.
- Insert the complete firing pin with spring and spring support with the pin first into the bolt body and ensure that its lug penetrates the longitudinal slot.
- Attach the cover sleeve and rear spring support with its slotted end towards the front of the bolt body. This can only be done when the guide tab at the base of oneslot is lined up with the slot in the bolt body.
- Finally insert the signal pin, large end first, and the small compression spring and screw on the bolt cap.
- Before inserting the assembled bolt in the receiver, recock the bolt by rotating the bolt handle counter-clockwise (for left-handed bolts clockwise).



Trigger

Warning:

Your ANSCHÜTZ target rifle offers you a versatility of individual adjusting properties. Please make sure that your rifle always is unloaded when carrying out adjustments.

Trigger adjustments

1. Trigger weight

Adjust the trigger weight with set screw No. 10 (silver screw):

- if you turn it to the right:
trigger weight is increased (+)
- if you turn it to the left:
trigger weight is decreased (-)

Trigger weight and first stage weight depend on each other with regard to the mechanic mechanism. If one of them is changed there will always be a corresponding change of the other as well.

To move trigger cam No. 11:

- lowest position of the trigger cam:
lowest trigger weight
- highest position of the trigger cam:
highest trigger weight

If the trigger weight is to be more than 200 g, the trigger cam No. 11 must be adjusted to the highest position (turn it by 180° and fix it then). To do this you need a 2 mm hex key and perhaps tweezers.

- if you turn it to the left:
You release the screw
- if you turn it to the right:
You tighten the screw

Attention:

Please ensure the trigger cam is positioned correctly. Be very careful tightening the small cam screw as it is easily broken!

Please check the sear engagement according to paragraph No. 3 when you have finished this process. It might have to be adjusted as well. The precise adjustments of the trigger weight and first stage weight are carried out with the set screws No. 10 (trigger weight) and No.9 (first stage weight).

2. First stage weight (only for two-stage triggers)

Adjust first stage weight with set screw No. 9 (black screw):

- if you turn it to the right:
first stage weight is increased (+)
- if you turn it to the left:
first stage weight is decreased (-)

Trigger weight and first stage weight depend on each other with regard to the mechanic mechanism. If one of them is changed there will always be a corresponding change of the other as well.

Attention:

Do not reduce either trigger weight screw to zero or lower as the trigger pull may become erratic.

3. Sear engagement

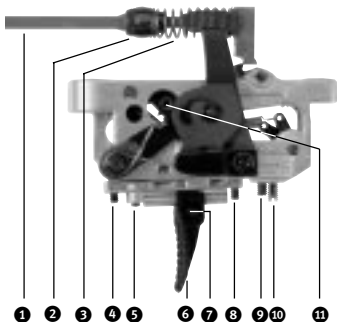
The sear engagement is the distance between the second stage and the release of the trigger.

Important note:

To protect your precise trigger and to guarantee perfect operation you should always close the action carefully. If the sear engagement of single stage triggers is too small and the trigger weight is too low or if the first stage of two-stage triggers is too short, the trigger might release inadvertently by a sudden impact or too powerful closing of the action if the rifle is loaded and not in the "safe" position. Adjustment of the sear engagement for **two-stage triggers** with set screw No. 5:

- if you turn it to the right:
sear engagement is shortened
- if you turn it to the left:
sear engagement is extended

Adjustment of an optimum sear engagement: Make sure your rifle is not loaded. Cock your rifle and release the trigger. Check if the trigger releases as desired.



For the adjustment of the sear engagement for **single stage triggers** with set screw No. 5 see point 7:

4. First stage (only for single stage triggers):

The single stage is the distance between the trigger blade from zero position to the second stage.

Adjustment of first stage with set screw No. 4:

- if you turn it to the right: first stage is shortened
- if you turn it to the left: first stage is extended

The sear engagement is too long:
There is a small distance between the second stage and the release of the trigger.

- Turn set screw No. 5 clockwise after cocking and releasing (approximately $1/8$ turn each).
- Repeat this process until you do not feel the second stage anymore. Then turn $1/5$ turn back to the left. Thus the optimum sear engagement is adjusted.

STOP Caution:

Set screw No. 4 (first stage) can be turned past the second stage function. In this case the trigger does not work anymore.

Danger! Do not under no circumstances remove the first stage completely in order to change the two-stage trigger into a single stage trigger.

The sear engagement is too short:
There is no second stage. The trigger releases undefined without second stage.

- Turn set screw No. 5 counter-clockwise for at least $1/4$ turn after cocking. Then release the trigger and check if there is a second stage. If not, repeat this procedure until you feel a second stage.
- As soon as you feel a second stage proceed according to the points of the paragraph „The sear engagement is too long“ to obtain an optimum sear engagement.

5. Trigger stop:

The trigger stop is the distance from the second stage to the stop of the trigger blade.

Adjustment of the trigger stop with set screw No. 8:

- if you turn it to the right: overtravel is shortened
- if you turn it to the left: overtravel is extended

Attention:

The trigger stop set screw No. 8 can be turned over the second stage or first stage function. Malfunction (the trigger does not release)!

6. Adjustment of the trigger blade

- Loosen hex screw No. 7
- Trigger blade No. 6 can be moved in the longitudinal guide and can be tilted laterally.

7. Change of two-stage trigger into single stage trigger

Adjusting process:

- Turn first stage weight screw No. 4 clockwise until you have reached the maximum first stage.
- Cock the rifle.
- Turn set screw No. 5 (first stage) clockwise until the trigger releases.
- Turn set screw No. 5 from this position approx. $1/4$ turn counter-clockwise.

The trigger is now adjusted to single stage operation, there is no more first stage.

Warning:

Single stage triggers are very sensitive and must be operated with special care.

The sear engagement of $5/100$ mm is obtained after the action is closed. In combination with a minimum trigger weight there might be a malfunction and an **increased risk (independent shot release)**.

8. Change of single stage trigger into two-stage trigger

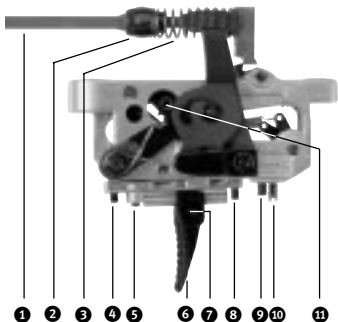
- Turn trigger stop set screw No. 8 approx. $2\ 1/2$ turns to the left (adjust max. trigger stop longer).
- Release the safety of the trigger and cock the rifle.
- Turn set screw No. 5 approx. $2\ 1/2$ turns counter-clockwise.
- You should now feel a second stage
- To adjust the optimum sear engagement proceed according to paragraph 3.
- Perhaps you have to adjust the first stage according to paragraph 4, the trigger stop according to paragraph 5, the trigger weight according to paragraph 1 and the first stage weight according to paragraph 2 to the desired values.

9. Malfunctions of the trigger due to wrong adjustment procedure

If the trigger is not adjusted correctly malfunctions may occur, tampering with the trigger adjustments will not result in any success. Therefore proceed as follows: After every change the function of the trigger must be checked. When the malfunction is removed check the desired trigger values and adjust them again if necessary.

The trigger catches the firing pin, but the trigger does not release:

- Make sure that the safety of the trigger is released.
- Check if there is a trigger cam and that it is attached correctly.
- The trigger stop set screw No. 8 is screwed in too much. Turn it a few turns



to the left until the cocking piston or firing pin will release again.

The trigger does not catch the cocking piston or firing pin:

- Set screw No. 4 (first stage) is screwed in too much.
- Check to see if the spring is correctly attached and not defective.

The first stage trigger is adjusted too tightly:

- Turn set screw No. 5 stepwise 1/4 turn to the right until the firing pin is caught.

Catch rebound spring is too weak or defective:

- Send your trigger to the factory or your service center for inspection.

10. Safety

On the left side of the trigger there is a safety lever. Please see chapter „Cocking, loading and safety operation“.

11. Maintenance

Please see chapter „Cleaning, maintenance, care, lubrication“.

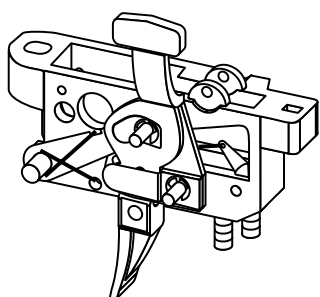
Important note:

To protect your highly accurate trigger and to maintain perfect functioning always close the bolt carefully.

⚠ Attention:

If you change the trigger remove the bolt from the receiver when fitting the trigger as otherwise the trigger will be damaged.

Order No.	Model	Two-stage trigger	Single-stage trigger	Adjusted to	Right hand version	Left hand version	For models	For small bore models production years	For small bore models serial-no. starting from
700.6540	1407-U9	●		150 g	●		1407, 1407 Z, 1409, 1411 1413, 1408 EDS	1959 - 1974	
700.6541	1408-U1	●		500 g	●				
700.6542	1408 D-U1		●	500 g	●				
700.6550	5071/1	●		100 g	●		1607, 1613, 1608 EDS	1974-1979	143655 to 182155
700.6560	5071/1 D		●	100 g	●				
700.6570	5075/1	●		550 g	●				
700.6580	5075/1 D		●	550 g	●				
700.6600	5018	●		100 g	●		1807, 1907, 1807 Z, 1907 Z 1907 Silh., 1807 Rep. 1907 Rep., 1907 Rep., 1912 1813, 1913, 1808 EDS 1808 D-RT, 1827, 1827F, 2007 2007/660, 2012, 2013 2013/690, 2013 Benchrest 54.18 MSR, 1808 MSR 2002 Compressed Air, 2020, 2025	starting from 1979	starting from 182156
700.6610	5018 L	●		100 g		●			
700.6620	5018 D		●	150 g	●				
700.6630	5018 L D		●	150 g		●			
700.6640	5020	●		550 g	●				
700.6650	5020 L	●		550 g		●			
700.6660	5020 D		●	550 g	●				
700.6670	5020 L D		●	550 g		●			
700.6740	5022	●		1500 g	●				
700.6800	5098	●		280 g	●		1903, 1416 MSP, 1403 Rep. 64 MSR, 64 MPR, 64 R		
700.6810	5098 L	●		280 g		●			
700.6860	5100 D		●	500 g	●				
700.6870	5100 L D		●	500 g		●			
700.6875	5103	●		1500 g	●				
700.6876	5104	●		550 g	●				
700.6877	5104 L	●		550 g		●			
700.6700	5019	●		100 g	●		2001 Superair		
700.6710	5021 D		●	550 g	●		2001 D-RT Superair		
700.6720	5021	●		100 g	●		2002 Superair		
800.0000	5024	●		1500 g	●				
700.6730	5023 D		●	550 g	●		2002 D-RT Superair		
700.6660	5020 D		●	550 g	●		2002 D-RT Compr. Air, 1827, 1827F		
700.6881	5197		●	550 g	●		2027 Summer biathlon		



When you order trigger parts please indicate the order number, type of rifle model together with the trigger model number. For left hand versions please add "L"

L	=	Left hand version
D	=	Single-stage trigger
D-RT	=	Running target
Rep.	=	Repeater
Silh.	=	Silhouette
F	=	Fortner
Z	=	"Zimmerstutzen"
MS	=	Silhouette

Dry firing device

The length of the spring-supported firing pin is adjusted so that it definitely ignites the cartridges. If there is no cartridge or cartridge case in the chamber, the firing pin as well as the rim of the chamber may be damaged when dryfiring for a longer period. In order to prevent any possible damage use either a cartridge case (after about 5 practice shots insert a different case) or preferably the training firing pin 1807T-12. With this device you can practice under competition conditions without having to use ammunition.

The procedure for changing the firing pin is described in the chapter „To disassemble and reassemble the bolt“.

Do not forget to exchange the training firing pin for the original one for live firing.

Cleaning, maintenance, care, lubrication

Even after considerable use, your ANSCHÜTZ small bore match rifle will not require much attention - a tribute to its solid design, first class materials, well proven ANSCHÜTZ workmanship and precision. If you follow the recommendations below, you will help maintain the excellent performance of your rifle for a long time.

Regular care after every shooting:

- Please only use resin and acid free oils.
- Remove any residues from the barrel. Clean with a lint-free cloth or pull cleaning cords several times through the barrel from chamber to muzzle to remove deposits. Subsequently pull a slightly oiled, lint-free cloth or cleaning cords through the barrel to avoid corrosion.

- Clean the bolt with a slightly oiled cloth.
- Make sure that the metal parts of your rifle are protected against corrosion by a slight oil film.
- Remove the oil film with a dry cloth or cleaning cords before you shoot again.

Careful cleaning:

New rifles up to 10,000 shots in 1,000 shot intervals, subsequently in 5,000 shot intervals at least.

- Use oil to clean the barrel and push a brass brush from the chamber to the muzzle. Never move the brush back and forth in the barrel. Only clean in shooting direction. Remove the brush outside of the muzzle and carefully pull the rod back through the barrel.
- Then pull cleaning cords in dry condition through the barrel until the last one shows no considerable dirt.
- Before shooting the next time fire 5 shots to get back to the former shooting performance.
- Clean external parts with a slightly oiled cloth.

Maintenance of the trigger:

- Lubricate the bearings slightly with cold resistant molybdenum disulphide grease once a year.
- Spot a small amount of oil into the bearing parts using a needle.
- The internal parts should not be washed with spray or oil to avoid resin or other residues in the trigger.

Attention:

When cleaning the rifle no dirt, residues of solvents, grease or non-suitable oils must get into the trigger mechanism. We there-

fore recommend either to use our cleaning rod guide or to clean your gun in a way that it is horizontal or even with the stock up to avoid any contamination of the trigger mechanism.

Protect your rifle against dust, sand, humidity, heat and other harmful influences. Vacuum clean your gun case or soft gun case once a month to remove dust and lint. Gun cases and soft gun cases should have a smooth and dust rejecting inner lining. Be aware that condensed water might occur as a result of temperature variations. In such a case it has to be removed at once. Leave your gun case or soft gun case open when you store them at home so that possible humidity can escape. Adding a humidity absorber reduces the development of humidity. Be aware of other possible changes or damage. In such a case take your rifle to an authorized gunsmith for checking or send it to our factory. To reduce the risk of damage in transit, we recommend the disassembly of the barreled action from the stock.

Accessories

Please ask for our catalogue.

Warranty

A warranty of 2 years will be issued. Parts which are subjected to wear are not part of this warranty. In the case of warranty we substitute the defective parts free of charge. Cases of warranty will only be accepted if the article in question and **the corresponding purchase receipt plus**

filled-in warranty card are presented. Warranty will not be accepted if changes or repair works have been carried out by persons who are not authorised, if the rifle is not used correctly or if non-ANSCHÜTZ original parts were used.

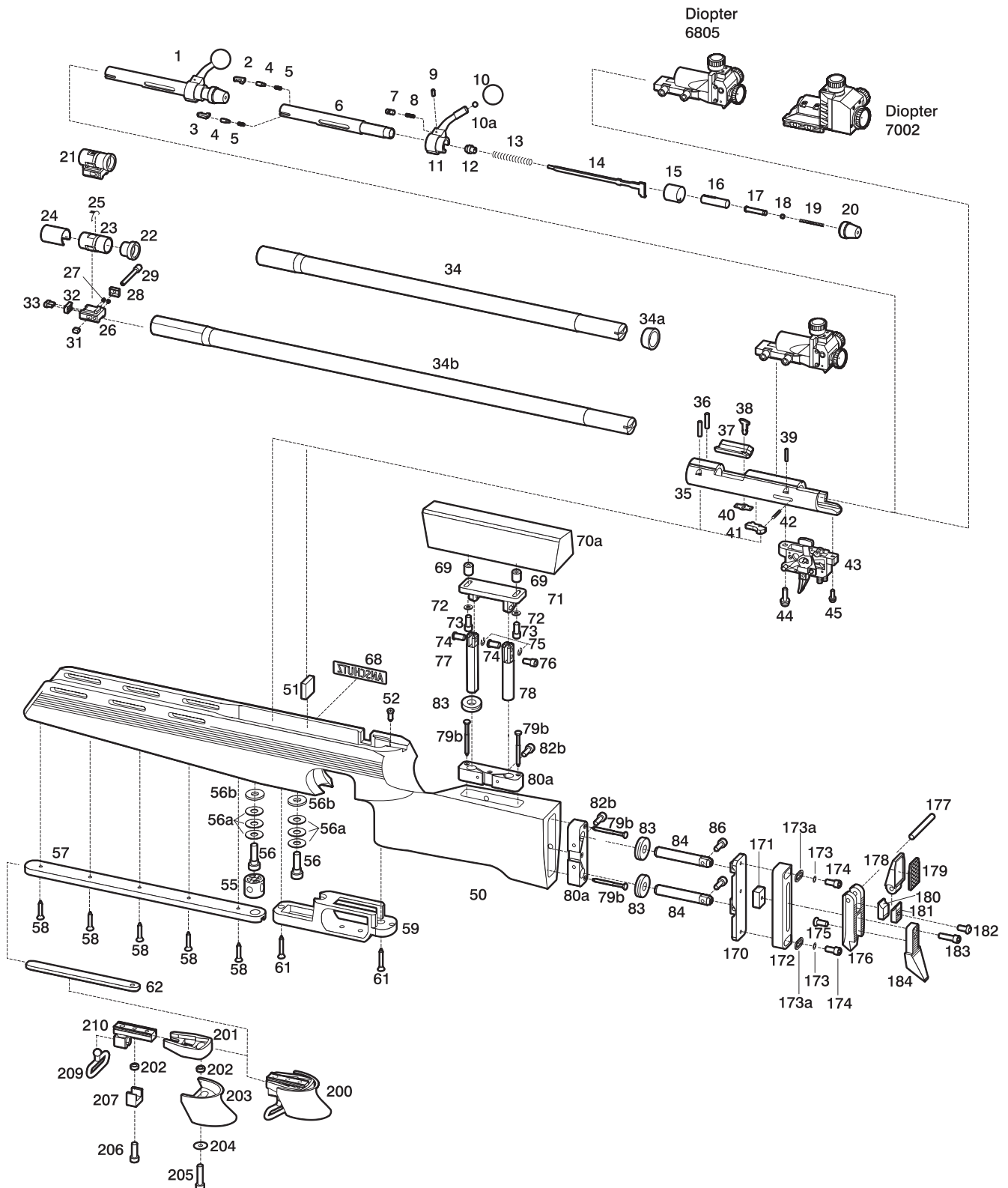
We wish you much pleasure and success with your ANSCHÜTZ product and would be pleased if you could let us have your ideas on our products and the design of this instruction leaflet.

Copyright

Product specifications, design and model changes are subject to change without prior notice. Dimensions and colors are subject to change. With reservation of misprints and errors. Goods are subject to prior sale. Delivery subject to the presentation of the referring license for the purchase of firearms.

ANSCHÜTZ, the ANSCHÜTZ logo and the ANSCHÜTZ logo in connection with the slogan „Die Meister Macher“ (also in modified spelling) are protected brands of J.G. ANSCHÜTZ GmbH & Co. KG, Ulm, Germany. The unauthorized use of this brand name is not allowed and punishable.

All rights of this instruction leaflet reserved. The use of the instruction leaflet, also in excerpts, is not allowed without the permission of J.G. ANSCHÜTZ GmbH & Co. KG and otherwise is punishable. This is especially applicable for unauthorized copying, translations and read-ins in electronic systems.



Original-Ersatzteilliste

List of component parts

1907/1913 im Schaft 1907

1907/1913 in Stock 1907

1907L/1913L im Schaft 1907L

1907L/1913L in Stock 1907L



Nr. / No. 1 - 43

Nr. No.	Bestell-Nr. Order-No.	1907	1907 L	Benennung	Description	Kennnummer Code number	Preisgruppe Price group
1	003319	0		Schloß	Bolt assembly	1807-U5	Z4
*	003312		0	Schloß, links	Bolt assembly, left	1807L-U5	Z4
2	002890	0		Auszieher	Extractor	1404-17	M1
*	003306		0	Auszieher, links	Exrractor, left	1807L-55	M1
3	002894	0		Patronenhalter	Cartridge retainer	1404-20	P1
*	003307		0	Patronenhalter, links	Cartridge retainer, left	1807L-56	P1
4	002893	0	0	Federbolzen (2)	Spring bolt (2)	1404-18	C1
5	003296	0	0	Druckfeder (2)	Druckfeder (2)	1807-19	A1
6	003284	0		Kammer	Bolt body	1807-5	D4
*	003304		0	Kammer, links	Bolt body, left	1807L-5	D4
7	003234	0	0	Rastbolzen	Catch bolt	1607-9/2	D1
8	003298	0	0	Druckfeder	Catch bolt spring	1807-25	A1
9	005065	0	0	Zylinderstift	Cylindrical spring	Riko 2,5x8 ähnl. DIN 6325 -br	A1
10	003301	0	0	Kugelknopf	Ball knob	1807-63	D1
10a	004947	0	0	Stahlkugel 5 DIN 5401	Steel ball 5 DIN 5401	Stahlkugel 5 DIN 5401	A1
11	003316	0		Kammergriff, vollständig	Bolt handle	1807-U2	M3
*	003311		0	Kammergriff, vollständig, links	Bolt handle, left	1807L-U2	M3
12	003237	0	0	Vordere Federstütze	Front spring support	1607-14	H1
13	003294	0	0	Druckfeder	Pressure spring	1807-15/2	B1
14	003289	0	0	Schlagbolzen	Striker pin	1807-12	I2
15	003238	0	0	Abdeckhülse	Cover sleeve	1607-16	E1
16	003236	0	0	Hintere Federstütze	Rear spring support	1607-13	H1
17	003288	0	0	Signalstift	Signal pin	1807-10	D1
18	003235	0	0	Signalring	Signal ring	1607-11	B1
19	003295	0	0	Druckfeder	Compression spring	1807-17/1	B1
20	003233	0	0	Verschlußkappe	Closur cap	1607-8	H1
21	000982	0	0	Korntunnel, kpl. (#700.0221)	Front sight, cpl. (#700.0221)	6832/1	•
22	004271	0	0	Klemmring	Clamp ring	6586-18	H1
23	004260	0	0	Korntunnel	Front sight hood	6586-1/2	D2
24	001410	0	0	Abdeckhülse (#710.1220)	Cover (#710.1220)	6586-20	•
25	004231	0	0	Spange	Internal cant indicator	6540-021	C1
26	004261	0	0	Kornfuß	Sight base	6586-004/1	X1
27	004491	0	0	Druckfeder (2)	Compression spring (2)	6850-024	A1
28	004268	0	0	Klemmstück	Clamp piece	6586-012/3	D1
29	004730	0	0	Zylinderschraube	Socket head screw	M 3x18 DIN 912	A1
31	004273	0	0	Mutter	Nut	6586-021	D1
32	004263	0	0	Druckstück	Front sight tube clamp	6586-005/1	H1
33	004726	0	0	Zylinderschraube (2)	Socket head screw (2)	M 3x12 DIN 912	A1
26-33	001078	0	0	Korntunnelfuß, kpl. (#700.1342)	Sight base, cpl. (#700.1342)	6586-U1/1	•
34	003385	0	0	Lauf	Barrel	1907-1	A5
*	003386	0	0	Lauf rostfrei	Barrel stainless	1907-1X	J5
34b	003403	0	0	Lauf	Barrel	1913-1/1	C5
*	003404	0	0	Lauf rostfrei	Barrel stainless	1913-1/1X	K5
34a	002940	0	0	Zwischenring	Intermediate ring	1408-3/1	H1
35	003229	0		Hülse	Receiver	1607-2	O4
*	003303		0	Hülse, links	Receiver, left	1807L-2	O4
36	005080	0	0	Zylinderstift (2)	Cylindrical Pin (2)	Riko 3x18 ähnl. DIN 7	A1
37	002917	0	0	Lademulde	Loading platform	1404-43	Y1
38	002918	0	0	Auswerfer	Ejector	1404-44	F1
39	003239	0	0	Zylinderstift	Cylindrical Pin	1607-20	A1
40	002919	0	0	Haltefeder	Spring	1404-45	B1
41	002914	0	0	Schloßhalter	Bolt stop	1404-41	P1
42	004035	0	0	Druckfeder	Compression spring	5320-7	A1
43	001205	0		Druckpunkt-Abzug #700.6600	Two-stage trigger #700.6600	5018	•

Original-Ersatzteilliste

List of component parts

1907/1913 im Schaft 1907

1907/1913 in Stock 1907

1907L/1913L im Schaft 1907L

1907L/1913L in Stock 1907L



Nr. / No. 44 - 184

Nr. No.	Bestell-Nr. Order-No.	1907	1907 L	Benennung	Description	Kennnummer Code number	Preisgruppe Price group
*	001207	0		Direkt-Abzug #700.6620	Single-stage trigger #700.6620	5018D	•
*	001206		0	Druckpunkt-Abzug #700.6610	Two-stage trigger #700.6610	5018L	•
*	001208		0	Direkt-Abzug #700.6630	Single-stage trigger #700.6630	5018LD	•
44	003930	0	0	Zylinderschraube	Pan head screw	5071-46/1	B1
45	003929	0	0	Zylinderschraube	Pan head screw	5071-45/1	B1
50	006431	0		Schaft	Stock	1907-8010-00-00	C5
*	005912		0	Schaft, links	Stock, left	1807L8010-01-20-1	D5
51	003300	0	0	Widerlager	Abutment	1807-55	D1
52	005106	0	0	Senkholzschraube	Countersunk head wood screw	4x20	A1
55	002525	0	0	Gelenk	Hinges	400-220	B1
56	005150	0	0	Zylinderschraube (2)	Cheese head screw (2)	M 6x0,75 JGA 40	H1
56a	004934	0	0	Tellerfeder (6)	Disc spring	DIN 2093 20x8,2x1x1,55	A1
56b	002431	0	0	Scheibe (2)	Disc (2)	380-256/1	A1
57	003297	0	0	Schiene	Rail	1807-23	E2
58	005118	0	0	Linsensenkschraube (5)	Countersunk head screw (5)	M 4x30	A1
59	002523	0	0	Abzugbügel	Trigger guard	400-215/1	L2
61	005116	0	0	Senkholzschraube	Countersunk head wood screw	4x30	A1
62	004073	0	0	Füllstück	Rail	6222	B1
68	004548	0	0	Anschütz-Aufkleber	Sticker	ESK-788	B1
69	005047	0	0	Rampa-Muffe (2)	Sleeve (2)	10x12xM5	B1
70a	006422	0		Backe inkl. Rampa-Muffe	Cheek piece, incl. sleeve	1907-8100-00-21	M3
*	006421		0	Backe inkl. Rampa-Muffe, links	Cheek piece, incl. sleeve, left	1907L8100-00-21	M3
71	001989	0		Backenplatte symmetrisch	Cheek piece plate	02213-8200-04-02-3	E3
*	002022		0	Backenplatte symmetrisch, links	Cheek piece plate, left	02213L8200-01-00-3	E3
72	004650	0	0	Scheibe (2)	Washer (2)	5,3B DIN 125	A1
73	004747	0	0	Zylinderschraube (2)	Socket head screw (2)	M 5x14 DIN 912	A1
74	001996	0	0	Bolzen (2)	Bolt (2)	02213-8200-06-01-4	E1
75	004975	0	0	Sicherungsscheibe	Retaining collar	3,2 DIN 6799	A1
76	004745	0	0	Zylinderschraube	Socket head screw	M 5x12 DIN 912	A1
77	001982	0	0	Backensäule Aluminium	Column Aluminium	02213-8200-03-00-3	Q1
78	001990	0	0	Klemmsäule Aluminium	Column Aluminium	02213-8200-05-00-4	Q1
69-78+83	001113	0	0	Backenausleger #700.3562	Cheek piece incl. carrier #700.3562	02213-8200-00-02-3	•
79b	005124	0	0	Senkholzschraube (4)	Countersunk head wood screw (4)	4,5x50	A1
80a	001873	0	0	Klemmstück (2)	Clamp piece (2)	1827-8000-01-00-3	B3
82b	004750	0	0	Zylinderschraube (2)	Cheese head screw (2)	M 5x18 DIN 912	A1
83	002120	0	0	Mutter (3)	Nut (3)	94759-2000-03-00-4	E1
84	002114	0	0	Säule (2)	Column (2)	94759-2000-02-00-4	Q1
86	004744	0	0	Zylinderschraube (2)	Socket head screw (2)	M 5x10 DIN 912	A1
170	002112	0	0	Kappenplatte	Hook plate	94759-2000-01-01-3	E3
171	002088	0	0	Mutter	Nut	94759-1100-02-01-4	C2
172	002079	0	0	Führung	Guide	94759-1000-01-01-4	A3
173	004650	0	0	Scheibe (2)	Washer (2)	5,3 DIN 125	A1
173a	002083	0	0	Einlage (2)	Insert (2)	94759-1000-02-00-4	B1
174	004745	0	0	Zylinderschraube (2)	Cheese head screw (2)	M5x12 DIN 912	A1
175	005000	0	0	Senkschraube	Countersunk head screw	M 5x12 DIN 7991	B1
176	002093	0	0	Unterteil	Lower section	94759-1110-01-01-3	N3
177	004957	0	0	Zylinderstift	Countersunk head screw	5,0m6x24	B1
178	002102	0	0	Schwenkkappe	Swing plate	94759-1120-01-01-3	K3
179	002104	0	0	Einlage	Rubber plate	94759-1120-02-00-4	D1
180	002098	0	0	Klemmteil (unten)	Clamping piece	94759-1110-04-01-x	U1
181	002097	0	0	Klemmteil (oben)	Clamping piece	94759-1110-05-01-x	U1
182	004990	0	0	Zylinderschraube	Countersunk head screw	M 6x8 DIN 7984	A1
183	004752	0	0	Zylinderschraube	Countersunk head screw	M5x22 DIN 912	A1
184	002089	0	0	Haken (schräg)	Hook	94759-1100-10-00-3	F3

Original-Ersatzteilliste

List of component parts

1907/1913 im Schaft 1907

1907/1913 in Stock 1907

1907L/1913L im Schaft 1907L

1907L/1913L in Stock 1907L



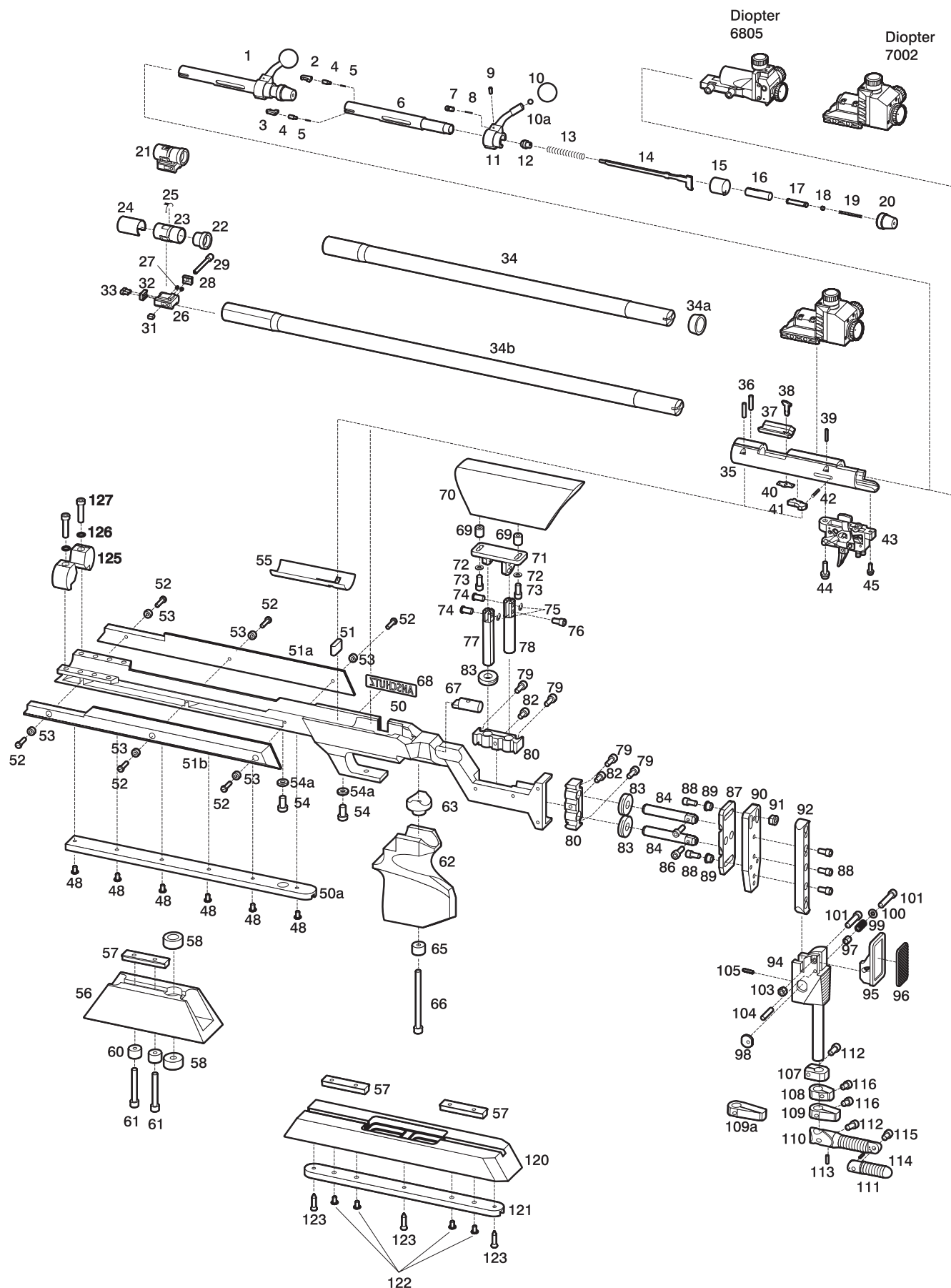
Nr. / No. 200 - 210

Nr. No.	Bestell-Nr. Order-No.	1907	1907 L	Benennung	Description	Kennnummer Code number	Preisgruppe Price group
200	001131	0	0	Handstop-Riemenbügel #700.3600	Hand stop sling swivel #700.3600	4751	•
201	003601	0	0	Zwischenstück	Handstop bade	4751-004	11
202	003603	0	0	Ring (2)	Ring (2)	4751-006	B1
203	003602	0	0	Handstop	Handstop	4751-005	11
204	005011	0	0	Scheibe	Disc	B 5,3 DIN 9021	A1
205	004754	0	0	Zylinderschraube D009120050025001	Countersunk head screw	M 5x25 DIN 912	A1
206	004750	0	0	Zylinderschraube D009120050018001	Countersunk head screw	M 5x18 DIN 912	A1
207	003600	0	0	Druckstück	Locking piece	4751-003/2	E1
209	003560	0	0	Riemenbügel	Sling swivel	4733-010	H1
210	003605	0	0	Klemmstück, vollständig	Clamp piece, compl.	4751-U02	P1

• = siehe Preisliste / see price list
 a.A. = auf Anfrage / on demand
 * = Teil ist nicht abgebildet / Part is not illustrated
 Benutzen Sie im Bedarfsfall ausschliesslich Original ANSCHÜTZ Ersatzteile
 Use only genuine ANSCHÜTZ parts for replacement

Für Bestellung sind folgende Angaben notwendig (siehe Bsp.):
 When ordering parts, it is necessary to specify completely like sample:

Nr. No.	Bestellnummer Order-No.	Modell Model	Benennung Description
3	002894	1907	Patronenhalter
3	002894	1907	Cartridge retainer



Original-Ersatzteilliste
1907/1913 im Schaft 2213

List of component parts
1907/1913 in stock 2213



Nr. / No. 1 - 50a

Nr. No.	Bestell-Nr. Order-No.	Benennung	Description	Kennnummer Code number	Preisgruppe Price group
1	003319	Schloß	Bolt assembly	1807-U5	Z4
2	002890	Auszieher	Extractor	1404-17	M1
3	002894	Patronenhalter	Cartridge retainer	1404-20	P1
4	002893	Federbolzen (2)	Spring bolt (2)	1404-18	C1
5	003296	Druckfeder	Druckfeder	1807-19	A1
6	003284	Kammer	Bolt body	1807-5	D4
7	003234	Rastbolzen	Catch bolt	1607-9/2	D1
8	003298	Druckfeder	Catch bolt spring	1807-25	A1
9	005065	Zylinderstift	Cylindrical spring	Riko 2,5x8 ähnl. DIN 6325 -br	A1
10	003301	Kugelnkopf	Ball knob	1807-63	D1
10a	004947	Stahlkugel 5 DIN 5401	Steel ball 5 DIN 5401	Stahlkugel 5 DIN 5401	A1
11	003316	Kammergriff, vollständig	Bolt handle	1807-U2	M3
12	003237	Vordere Federstütze	Front spring support	1607-14	H1
13	003294	Druckfeder	Pressure spring	1807-15/2	B1
14	003289	Schlagbolzen	Striker pin	1807-12	I2
15	003238	Abdeckhülse	Cover sleeve	1607-16	E1
16	003236	Hintere Federstütze	Rear spring support	1607-13	H1
17	003288	Signalstift	Signal pin	1807-10	D1
18	003235	Signalring	Signal ring	1607-11	B1
19	003295	Druckfeder	Compression spring	1807-17/1	B1
20	003233	Verschlusskappe	Closur cap	1607-8	H1
21	000982	Korntunnel, kpl. #700.0221	Front sight, cpl. #700.0221	6832/1	•
22	004271	Klemmring	Clamp ring	6586-18	H1
23	004260	Korntunnel	Front sight hood	6586-1/2	D2
24	001410	Abdeckhülse #710.1220	Cover #710.1220	6586-20	•
25	004231	Spange	Internal cant indicator	6540-21	C1
26	004261	Kornfuß	Sight base	6586-4/1	X1
27	004491	Druckfeder (2)	Compression spring (2)	6850-24	A1
28	004268	Klemmstück	Clamp piece	6586-12/3	D1
29	004730	Zylinderschraube	Socket head screw	M 3x18 DIN 912	A1
31	004273	Mutter	Nut	6586-021	D1
32	004263	Druckstück	Front sight tube clamp	6586-005/1	H1
33	004726	Zylinderschraube (2)	Socket head screw (2)	M 3x12 DIN 912	A1
26-33	001078	Korntunnelfuß, kpl. (#700.1342)	Sight base, cpl. (#700.1342)	6586-U1/1	•
34	003385	Lauf	Barrel	1907-1	A5
*	003386	Lauf rostfrei	Barrel stainless	1907-1X	J5
34b	003403	Lauf	Barrel	1913-1/1	C5
*	003404	Lauf rostfrei	Barrel stainless	1913-1/1X	K5
34a	002940	Zwischenring	Intermediate ring	1408-3/1	H1
35	003229	Hülse	Receiver	1607-2	O4
36	005080	Zylinderstift (2)	Cylindrical Pin (2)	Riko 3x18 ähnl. DIN 7	A1
37	002917	Lademulde	Loading platform	1404-43	Y1
38	002918	Auswerfer	Ejector	1404-44	F1
39	003239	Zylinderstift	Cylindrical Pin	1607-20	A1
40	002919	Haltefeder	Spring	1404-45	B1
41	002914	Schloßhalter	Bolt stop	1404-41	P1
42	004035	Druckfeder	Compression spring	5320-7	A1
43	001205	Druckpunkt-Abzug #700.6600	Two-stage trigger #700.6600	5018	•
*	001207	Direkt-Abzug #700.6620	Single-stage trigger #700.6620	5018D	•
45	003930	Zylinderschraube	Pan head screw	5071-46/1	B1
46	003929	Zylinderschraube	Pan head screw	5071-45/1	B1
48	004884	Schraube	Screw	M 4x8 DIN 965	A1
50	006041	Schaft	Stock	02213-8100-01-80-1	P5
50a	001973	Profilschiene	Swivel rail	02213-8100-06-00-3	E2

Original-Ersatzteilliste
1907/1913 im Schaft 2213

List of component parts
1907/1913 in stock 2213



Nr. / No. 51 - 97

Nr. No.	Bestell-Nr. Order-No.	Benennung	Description	Kennnummer Code number	Preisgruppe Price group
51	001967	Widerlager	Abutment	02213-8100-04-00-4	D1
51a	006045	Leiste rechts	Wood bar right	02213-8110-01-30-2	E3
51b	006048	Leiste links	Wood bar left	02213-8120-01-30-2	E2
52	004594	Zylinderschraube (6)	Socket head screw (6)	M3x14 DIN84	A1
53	005227	Buchse (6)	Bushing (6)	E70B-0035003200	A1
54	005143	Systemschraube (2)	Bedding Screw (2)	JGA N 40 M6x0,75x14	E1
54a	004932	Tellerfeder A 12,5 (2)	Washer A 12,5 (2)	D020930125007001	A1
55	001969	Einlage	Filling	02213-8100-05-00-4	E3
56	006069	Vorderschafterhöhung BUNT	Forend raiser block Color	02213-8500-01-30-2	I3
57	003768	Klemmstück	Rail clamp	4850-2	H1
58	005239	Buchse (2)	Bushing (2)	E70B0083011000	M1
60	005235	Buchse (2)	Bushing (2)	E70B-0061007500	M1
61	004761	Zylinderschraube	Socket head screw	M 5x45 DIN 912	B1
56-61	001141	Vorderschafterhöhung kpl. #700.3623	Forend raiser block cpl. #700.3623	02213-8500-00-30-x	•
62	006064	Griff (groß)	Grip (big)	02213-8400-01-30-1	Y3
*	006066	Griff (klein)	Grip (small)	02213-8400-01-31-1	Y3
63	002004	Griffschale	Pistol grip	02213-8400-02-00-3	I2
64	005101	Senkholzschraube 4x15	Countersunk head wood screw 4x15	DSPAX-0040015000	A1
65	002006	Buchse	Bushing	02213-8400-04-00-4	M1
66	004767	Zylinderschraube	Socket head screw	M 5x80 DIN912	B1
62-66	001378	Griff (groß), kpl. #705.7870	Grip (big) #705.7870	02213-8400-00-30-x	•
*	001377	Griff (klein), kpl. #705.7865	Grip (small) #705.7865	02213-8400-00-31-x	•
67	002005	Spannbolzen	Bolt	02213-8400-03-00-4	I2
68	001963	Schriftzug	Sticker	02213-8100-03-00-4	B1
69	005047	Rampa-Muffe (2)	Sleeve (2)	DRAMPA0100012001	B1
70	006052	Backe inkl. Rampa-Muffe (2)	Cheek piece incl. Sleeve (2)	02213-8600-00-01-x	M3
71	001989	Backenplatte symmetrisch	Cheek piece plate	02213-8200-04-02-3	E3
72	004650	Scheibe (2)	Washer (2)	B 5,3 DIN 125	A1
73	004745	Zylinderschraube (2)	Socket head screw (2)	M 5x12 DIN 912	A1
74	001996	Bolzen (2)	Bolt (2)	02213-8200-06-01-4	E1
75	004975	Sicherungsscheibe (2)	Retaining collar (2)	3,2 DIN 6799	A1
76	004745	Zylinderschraube	Socket head screw	M 5x12 DIN 912	A1
77	001982	Backensäule Aluminium	Column Aluminium	02213-8200-03-00-3	Q1
78	001990	Klemmsäule Aluminium	Column Aluminium	02213-8200-05-00-4	Q1
69-78+83	001120	Backe inkl. Backenausleger #700.3570	Cheek piece incl. carrier #700.3570	•	•
79	004747	Zylinderschraube (4)	Socket head screw (4)	M 5x14 DIN 912	A1
80	001961	Klemm-Führung (2)	Cheek piece (2)	02213-8100-02-01-3	B3
82	004745	Zylinderschraube (2)	Socket head screw (2)	M 5x12 DIN 912	A1
83	002120	Mutter (3)	Nut (3)	94759-2000-03-00-4	E1
71-83	001113	Backenausleger #700.3562	Cheek piece adjustment #700.3562	02213-8200-00-02-3	•
84	002114	Säule (2)	Column (2)	94759-2000-02-00-4	Q1
86	004744	Zylinderschraube (2)	Socket head screw (2)	M 5x10 DIN 912	A1
87	002002	Kappenplatte	Hook plate	02213-8300-02-00-3	E3
83-87	001114	Kappenausleger #700.3563	Hook plate carrier #700.3563	2213-8300	•
88	004745	Zylinderschraube (5)	Socket head screw (5)	M 5x12 DIN 912	A1
89	001786	Buchse (2)	Bushing (2)	00430-8100-02-00-4	D1
90	002011	Zwischenplatte	Spacer	02213-8510-01-00-3	A3
91	002128	Mutter	Nut	94760-1000-21-00-4	D1
92	003631	Führung	Guide	4760-20/1	M1
88-92	001118	Führungsplatte, kpl. #700.3568	Guide plate, cpl. #700.3568	2213-8510	•
94	003691	Schulterklappenträger, vollst.	Swing plate carrier, cpl.	4765-U01	S3
95	003681	Schulterklappe	Swing plate	4765-3	K3
96	003682	Schulterklappeneinlage	Rubber plate	4765-4	D1
97	003650	Ring	Ring	4760-049	B1

Original-Ersatzteilliste
1907/1913 im Schaft 2213

List of component parts
1907/1913 in stock 2213



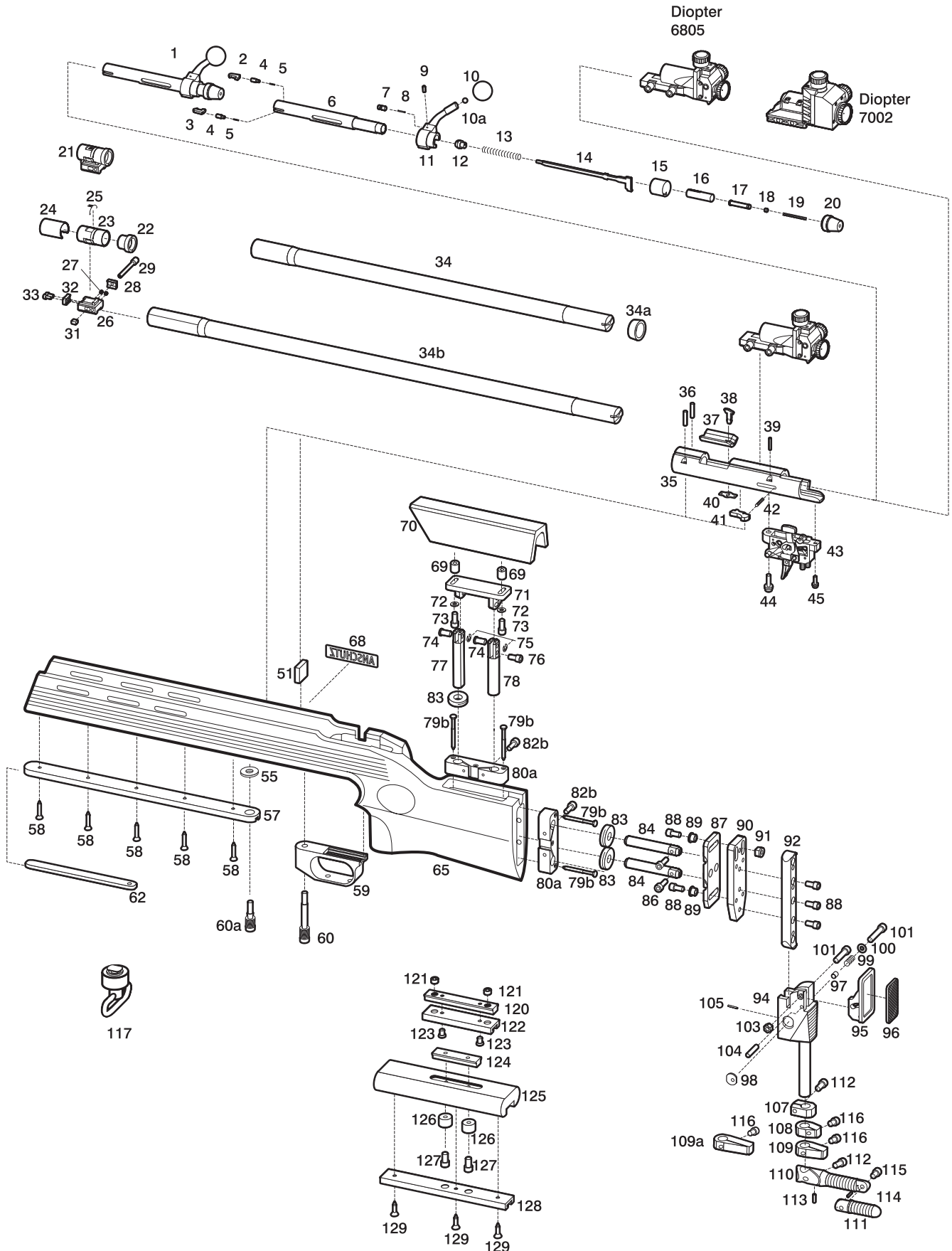
Nr. / No. 98 - 127

Nr. No.	Bestell-Nr. Order-No.	Benennung	Description	Kennnummer Code number	Preisgruppe Price group
98	003648	Klemmstück	Chuck piece	4760-47/4	H1
99	003689	Druckfeder	Pressure spring	4765-12	B1
100	005011	Scheibe	Washer	5,3 B DIN 9021	A1
101	004754	Zylinderschraube	Socket head screw (2)	M 5x25 DIN 912	A1
103	004907	Sechskantmutter	Hexagonal head nut	M5 DIN 980	B1
104	005957	Zylinderstift	Threaded pin	M 6x24 DIN 6325	B1
105	004921	Spannstift	Pin	3x18 DIN 1481	B1
106	003680	Säule	Column	4765-2	M1
107	003685	Füllstück klein (28 mm)	Swivel rail filler small (28 mm)	4765-7	T1
108	003686	Füllstück mittel (30.5 mm)	Swivel rail filler medium (30.5 mm)	4765-8	T1
109	003687	Füllstück groß (39 mm)	Swivel rail filler big (39 mm)	4765-9	T1
109a	003688	Füllstück XL (49 mm)	Swivel rail filler XL (49 mm)	4765-10	T1
109a+116	001126	Füllstück XL inkl. Schrauben #700.3589	Swivel rail filler XL incl. screws #700.3589	4765-U8	•
110	003683	Haken	Hook	4765-5	V2
111	003684	Schwenkhaken	Hook	4765-6	O1
112	004745	Zylinderschraube (2)	Socket head screw (2)	M 5x12 DIN 912	A1
113	005085	Zylinderstift	Threaded pin	4x10 DIN 6325 ähnl.	B1
114	004948	Zylinderstift	Threaded pin	1,5x10 DIN 6325	B1
115	004743	Zylinderschraube	Socket head screw	M 5x8 DIN 912	A1
116	004744	Zylinderschraube (2)	Socket head screw (2)	M 5x10 DIN 912	A1
88-116	001119	Hakenkappe mit Führungsplatte #700.3569	Hook butt plate with guide plate # 700.3569	2213-8700	•
94-116	001123	Hakenkappe, kpl. #700.3582	Hook butt plate, cpl. # 700.3582	4765-U4	•
120	006097	Vorderschafterhöhung	Forend raiser block	92213-8550-01-002	L3
121	002031	Schiene	Rail	92213-8500-02-00	A2
122	004751	Senkschraube (4)	Countersunk head screw	M 5x20 DIN 7991	A1
123	005100	Senkholzschraube (3)	Countersunk head wood screw	DSPAX-040012000	A1
125	003471	Gewicht (2)	Weight (2)	2013-U82	•
126	003603	Ring (2)	Ring (2)	4751-6	A1
127	004754	Zylinderschraube (2)	Cheese head screw (2)	M 5x25 DIN 912	A1

• = siehe Preisliste / see price list
a.A. = auf Anfrage / on demand
* = Teil ist nicht abgebildet / Part is not illustrated
Benutzen Sie im Bedarfsfall ausschliesslich
Original ANSCHÜTZ Ersatzteile
Use only genuine ANSCHÜTZ parts for replacement

Für Bestellung sind folgende Angaben notwendig (siehe Bsp.):
When ordering parts, it is necessary to specify completely like sample:

Nr. No.	Bestellnummer Order-No.	Modell Model	Benennung Description
3	002894	1907	Patronenhalter
3	002894	1907	Cartridge retainer



Original-Ersatzteilliste

List of component parts

1907/1913 im Schaft 1912

1907/1913 in stock 1912

1907L/1913L im Schaft 1912

1907L/1913L in stock 1912



Nr. / No. 1 - 43

Nr. No.	Bestell-Nr. Order-No.	1912	1912 L	Benennung	Description	Kennnummer Code number	Preisgruppe Price group
1	003319	0		Schloß	Bolt assembly	1807-U5	Z4
*	003312		0	Schloß, links	Bolt assembly, left	1807L-U5	Z4
2	002890	0		Auszieher	Extractor	1404-17	M1
*	003306		0	Auszieher, links	Exrractor, left	1807L-55	M1
3	002894	0		Patronenhalter	Cartridge retainer	1404-20	P1
*	003307		0	Patronenhalter, links	Cartridge retainer, left	1807L-56	P1
4	002893	0	0	Federbolzen (2)	Spring bolt (2)	1404-18	C1
5	003296	0	0	Druckfeder (2)	Druckfeder (2)	1807-19	A1
6	003284	0		Kammer	Bolt body	1807-5	D4
*	003304		0	Kammer, links	Bolt body, left	1807L-5	D4
7	003234	0	0	Rastbolzen	Catch bolt	1607-9/2	D1
8	003298	0	0	Druckfeder	Catch bolt spring	1807-25	A1
9	005065	0	0	Zylinderstift	Cylindrical spring	Riko 2,5x8 ähnl. DIN 6325 -br	A1
10	003301	0	0	Kugelknopf	Ball knob	1807-63	D1
10a	004947	0	0	Stahlkugel 5 DIN 5401	Steel ball 5 DIN 5401	Stahlkugel 5 DIN 5401	A1
11	003316	0		Kammergriff, vollständig	Bolt handle	1807-U2	M3
*	003311		0	Kammergriff, vollständig, links	Bolt handle, left	1807L-U2	M3
12	003237	0	0	Vordere Federstütze	Front spring support	1607-14	H1
13	003294	0	0	Druckfeder	Pressure spring	1807-15/2	B1
14	003289	0	0	Schlagbolzen	Striker pin	1807-12	I2
15	003238	0	0	Abdeckhülse	Cover sleeve	1607-16	E1
16	003236	0	0	Hintere Federstütze	Rear spring support	1607-13	H1
17	003288	0	0	Signalstift	Signal pin	1807-10	D1
18	003235	0	0	Signalring	Signal ring	1607-11	B1
19	003295	0	0	Druckfeder	Compression spring	1807-17/1	B1
20	003233	0	0	Verschlußkappe	Closur cap	1607-8	H1
21	000982	0	0	Korntunnel, kpl. #700.0221	Front sight, cpl. #700.0221	6832/1	•
22	004271	0	0	Klemmring	Clamp ring	6586-18	H1
23	004260	0	0	Korntunnel	Front sight hood	6586-1/2	D2
24	001410	0	0	Abdeckhülse #710.1220	Cover #710.1220	6586-20	•
25	004231	0	0	Spange	Internal cant indicator	6540-021	C1
26	004261	0	0	Kornfuß	Sight base	6586-004/1	X1
27	004491	0	0	Druckfeder (2)	Compression spring (2)	6850-024	A1
28	004268	0	0	Klemmstück	Clamp piece	6586-012/3	D1
29	004730	0	0	Zylinderschraube	Socket head screw	M 3x18 DIN 912	A1
31	004273	0	0	Mutter	Nut	6586-021	D1
32	004263	0	0	Druckstück	Front sight tube clamp	6586-005/1	H1
33	004726	0	0	Zylinderschraube (2)	Socket head screw (2)	M 3x12 DIN 912	A1
26-33	001078	0	0	Korntunnelfuß, kpl. (#700.1342)	Sight base, cpl. (#700.1342)	6586-U1/1	•
34	003385	0	0	Lauf	Barrel	1907-1	A5
*	003386	0	0	Lauf rostfrei	Barrel stainless	1907-1X	J5
34b	003403	0	0	Lauf	Barrel	1913-1/1	C5
*	003404	0	0	Lauf rostfrei	Barrel stainless	1913-1/1X	K5
34a	002940	0	0	Zwischenring	Intermediate ring	1408-3/1	H1
35	003229	0		Hülse	Receiver	1607-2	O4
*	003303		0	Hülse, links	Receiver, left	1807L-2	O4
36	005080	0	0	Zylinderstift (2)	Cylindrical Pin (2)	Riko 3x18 ähnl. DIN 7	A1
37	002917	0	0	Lademulde	Loading platform	1404-43	Y1
38	002918	0	0	Auswerfer	Ejector	1404-44	F1
39	003239	0	0	Zylinderstift	Cylindrical Pin	1607-20	A1
40	002919	0	0	Haltefeder	Spring	1404-45	B1
41	002914	0	0	Schloßhalter	Bolt stop	1404-41	P1
42	004035	0	0	Druckfeder	Compression spring	5320-7	A1
43	001205	0		Druckpunkt-Abzug #700.6600	Two-stage trigger #700.6600	5018	•

Original-Ersatzteilliste

List of component parts

1907/1913 im Schaft 1912

1907/1913 in stock 1912

1907L/1913L im Schaft 1912

1907L/1913L in stock 1912



Nr. / No. 44 - 104

Nr. No.	Bestell-Nr. Order-No.	1912	1912 L	Benennung	Description	Kennnummer Code number	Preisgruppe Price group
*	001207	0		Direkt-Abzug #700.6620	Single-stage trigger #700.6620	5018D	•
*	001206		0	Druckpunkt-Abzug #700.6610	Two-stage trigger #700.6610	5018L	•
*	001208		0	Direkt-Abzug #700.6630	Single-stage trigger #700.6630	5018LD	•
44	003930	0	0	Zylinderschraube	Pan head screw	5071-46/1	B1
45	003929	0	0	Zylinderschraube	Pan head screw	5071-45/1	B1
51	003300	0	0	Widerlager	Abutment	1807-55	D1
55	002431	0	0	Scheibe	Disc	380-256/1	A1
57	003401	0	0	Profilschiene	Swivel rail	1912-23	E2
58	005106	0	0	Senkholzschraube (5)	Countersunk head wood screw (5)	4x20	A1
59	003248	0	0	Abzugsbügel	Trigger guard	1613-53	G2
60	005163	0	0	Systemschraube, vollst.	Screw with disc-spring-pile	N40-U3 6x0,75x58	O1
60a	005161	0	0	Systemschraube, vollst.	Screw with disc-spring-pile	N40-U1 6x0,75x30	O1
62	004073	0	0	Füllstück	Filler piece	6222	B1
65	005944	0		Schaft	Stock	1912-40/1	G5
*	005953		0	Schaft, links	Stock, left	1912-40/1 L	I5
68	004548	0	0	Anschütz-Aufkleber	Sticker	ESK-788	B1
69	005047	0	0	Rampa-Muffe (2)	Sleeve	10x12	B1
70	005951	0		Schaftbacke	Cheek piece	1912-47/1	M3
*	005955		0	Schaftbacke, links	Cheek piece, left	1912L-47/1	M3
71	001989	0		Backenplatte symmetrisch	Cheek piece plate	02213-8200-04-02-3	E3
*	002022		0	Backenplatte symmetrisch, links	Cheek piece plate, left	02213L8200-01-00	E3
72	004650	0	0	Scheibe (2)	Washer (2)	5,3 B DIN125	A1
73	004747	0	0	Zylinderschraube (2)	Socket head screw (2)	M 5x14 DIN 912	A1
74	001996	0	0	Bolzen (2)	Bolt (2)	02213-8200-06-01-4	E1
75	004975	0	0	Sicherungsscheibe	Retaining collar	3,2 DIN 6799	A1
76	004745	0	0	Zylinderschraube	Socket head screw	M 5x12 DIN 912	A1
77	001982	0	0	Backensäule Aluminium	Column Aluminium	02213-8200-03-00-3	Q1
78	001990	0	0	Klemmsäule Aluminium	Column Aluminium	02213-8200-05-00-4	Q1
71-78+83	001120	0	0	Backe inkl. Backenausleger #700.3570	Cheek piece incl. carrier #700.3570		•
79b	004750	0	0	Zylinderschraube (4)	Socket head screw (4)	M 5x18 DIN 912	A1
80a	001873	0	0	Klemmstück (2)	Clamp piece	1827-8000-01-00-3	B3
82b	004750	0	0	Zylinderschraube (2)	Cheese head screw	M 5x18 DIN 912	A1
83	002120	0	0	Mutter (3)	Nut (3)	94759-2000-03-00-4	E1
71-83	001113	0	0	Backenausleger #700.3562	Cheek piece adjustment #700.3562	02213-8200-00-02-3	•
84	002118	0	0	Säule (2)	Column (2)	94759-2000-02-00-4	Q1
86	004744	0	0	Zylinderschraube (2)	Socket head screw (2)	M 5x10 DIN 912	A1
87	002002	0	0	Kappenplatte	Hook plate	02213-8300-02-00-3	E3
83-87	001114	0	0	Kappenausleger #700.3563	Hook plate carrier # 700.3563	2213-8300	•
88	004745	0	0	Zylinderschraube (5)	Socket head screw (5)	M 5x12 DIN 912	A1
89	001786	0	0	Buchse (2)	Bushing (2)	00430-8100-02-00-4	D1
90	002011	0	0	Zwischenplatte	Space	02213-8510-01-00-3	A3
91	002128	0	0	Mutter	Nut	94760-1000-21-00-4	D1
92	003631	0	0	Führung	Guide	4760-020/1	M1
88-92	001118	0	0	Führungsplatte, kpl. #700.3568	Guide plate, cpl. #700.3568	2213-8500	•
94	003691	0	0	Schulterklappenträger vollständig	Swing plate carrier, cpl.	4765-U01	S3
95	003681	0	0	Schulterklappe	Swing plate	4765-003	K3
96	003682	0	0	SchulterklappenEinlage	Rubber plate	4765-004	D1
97	003650	0	0	Ring	Retaining washer	4760-049	B1
98	003648	0	0	Klemmstück	Chuck piece	4760-047/4	H1
99	003689	0	0	Druckfeder	Pressure spring	4765-012	B1
100	005011	0	0	Scheibe	Washer	B 5,3 DIN 9021	A1
101	004754	0	0	Zylinderschraube (2)	Socket head screw	M 5x52 DIN 912	A1
103	004907	0	0	Sechskantmutter	Hexagonal head nut	M5 DIN980	A1
104	004956	0	0	Zylinderstift	Threaded pin	4,0m6x24 DIN 6325	B1

Original-Ersatzteilliste

1907/1913 im Schaft 1912

1907L/1913L im Schaft 1912

List of component parts

1907/1913 in stock 1912

1907L/1913L in stock 1912



DIE MEISTER MACHER

Nr. / No. 105 - 129

Nr. No.	Bestell-Nr. Order-No.	1912	1912 L	Benennung	Description	Kennnummer Code number	Preisgruppe Price group
105	004986	0	0	Spannstift	Pin	3x18 DIN 7344	B1
107	003685	0	0	Füllstück klein (28 mm)	Filling piece small (28 mm)	4765-007	T1
108	003686	0	0	Füllstück mittel (30,5 mm)	Filling piece medium (30,5 mm)	4765-008	T1
109	003687	0	0	Füllstück groß (39 mm)	Filling piece large (39 mm)	4765-009	T1
109a	003688	0	0	Füllstück XL (49 mm)	Filling piece XL (49 mm)	4765-10	T1
109a+116	001126	0	0	Füllstück XL, inkl. Schraube #700.3589	Filling piece XL, incl. screw #700.3589	4765-U8	•
110	003683	0	0	Haken	Hook	4765-005	V2
111	003684	0	0	Schwenkhaken	Hook	4765-006	O1
112	004745	0	0	Zylinderschraube	Socket head screw	M 5x12 DIN 912	A1
113	005085	0	0	Zylinderstift	Threaded pin	4 m6x10 DIN 6325	B1
114	004748	0	0	Zylinderstift	Threaded pin	1,5 m6x10 DIN 6325	B1
115	004743	0	0	Zylinderschraube	Socket head screw	M 5x8 DIN 912	A1
116	004744	0	0	Zylinderschraube (3)	Socket head screw (3)	M 5x10 DIN 912	A1
88-116	001119	0	0	Hakenkappe m. Führungsplatte #700.3569	Hook butt plate with guide plate #700.3569	2213-8700	•
94-116	001123	0	0	Hakenkappe, kpl. #700.3582	Hook butt plate, cpl. #700.3582	4765-U4	•
117	001465	0	0	Handstop #710.3600	Handstop #710.3600	6226	•
120	003776	0	0	Klemmschiene	Clamp piece	4856-004	M1
121	003554	0	0	Gewindestift (2)	Threaded pin	4728-003	C1
122	003775	0	0	Schiene	Rail	4856-003	M1
123	004851	0	0	Senkschraube (2)	Countersunk head screw	M 4x8 DIN 963	A1
124	003768	0	0	Klemmstück	Clamp piece	4850-002	H1
125	006092	0	0	Vorderschafterhöhung	Forend raiser block	4856-00100021	I3
126	005235	0	0	Buchse (2)	Bushing	E0070B-0061007500	B1
127	004744	0	0	Zylinderschraube (2)	Cheese head screw	M 5x10 DIN912	A1
128	003774	0	0	Profilschiene	Swivel rail	4856-002	O1
129	005100	0	0	Senkholzschraube (3)	Countersunk head wood screw	DSPAX-0040012000	A1

• = siehe Preisliste / see price list

a.A. = auf Anfrage / on demand

* = Teil ist nicht abgebildet / Part is not illustrated

Benutzen Sie im Bedarfsfall ausschliesslich

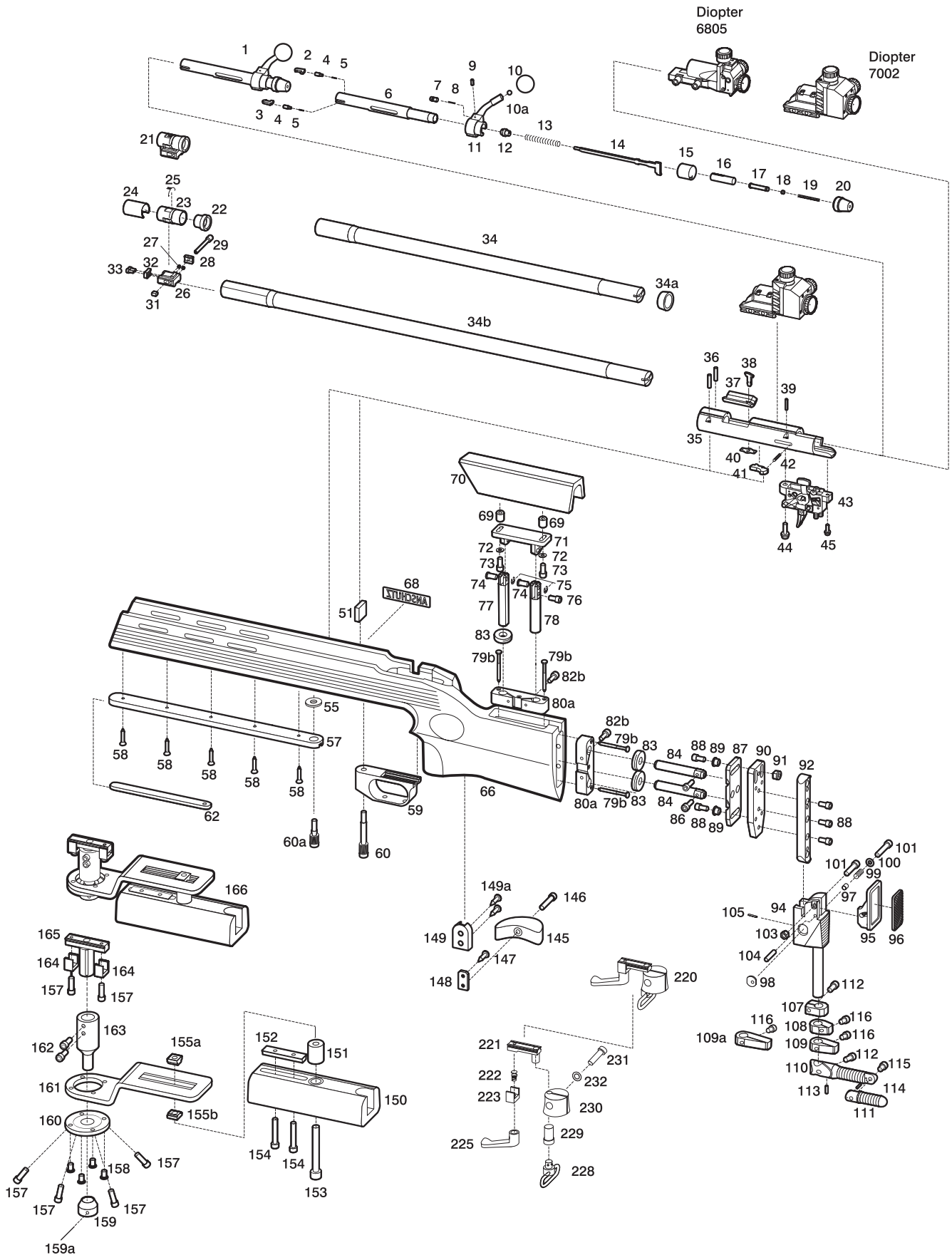
Original ANSCHÜTZ Ersatzteile

Use only genuine ANSCHÜTZ parts for replacement

Für Bestellung sind folgende Angaben notwendig (siehe Bsp.):

When ordering parts, it is necessary to specify completely like sample:

Nr. No.	Bestellnummer Order-No.	Modell Model	Benennung Description
3	002894	1907	Patronenhalter
3	002894	1907	Cartridge retainer



Original-Ersatzteilliste

1907/1913 im Schaft 1913

1907L/1913L im Schaft 1913

List of component parts

1907/1913 in stock 1913

1907L/1913L in stock 1913



Nr. / No. 1 - 43

Nr. No.	Bestell-Nr. Order-No.	1913	1913 L	Benennung	Description	Kennnummer Code number	Preisgruppe Price group
1	003319	0		Schloß	Bolt assembly	1807-U5	Z4
*	003312		0	Schloß, links	Bolt assembly, left	1807L-U5	Z4
2	002890	0		Auszieher	Extractor	1404-17	M1
*	003306		0	Auszieher, links	Exrractor, left	1807L-55	M1
3	002894	0		Patronenhalter	Cartridge retainer	1404-20	P1
*	003307		0	Patronenhalter, links	Cartridge retainer, left	1807L-56	P1
4	002893	0	0	Federbolzen (2)	Spring bolt (2)	1404-18	C1
5	003296	0	0	Druckfeder (2)	Druckfeder (2)	1807-19	A1
6	003284	0		Kammer	Bolt body	1807-5	D4
*	003304		0	Kammer, links	Bolt body, left	1807L-5	D4
7	003234	0	0	Rastbolzen	Catch bolt	1607-9/2	D1
8	003298	0	0	Druckfeder	Catch bolt spring	1807-25	A1
9	005065	0	0	Zylinderstift	Cylindrical spring	Riko 2,5x8 ähnl. DIN 6325 -br	A1
10	003301	0	0	Kugelknopf	Ball knob	1807-63	D1
10a	004947	0	0	Stahlkugel 5 DIN 5401	Steel ball 5 DIN 5401	Stahlkugel 5 DIN 5401	A1
11	003316	0		Kammergriff, vollständig	Bolt handle	1807-U2	M3
*	003311		0	Kammergriff, vollständig, links	Bolt handle, left	1807L-U2	M3
12	003237	0	0	Vordere Federstütze	Front spring support	1607-14	H1
13	003294	0	0	Druckfeder	Pressure spring	1807-15/2	B1
14	003289	0	0	Schlagbolzen	Striker pin	1807-12	I2
15	003238	0	0	Abdeckhülse	Cover sleeve	1607-16	E1
16	003236	0	0	Hintere Federstütze	Rear spring support	1607-13	H1
17	003288	0	0	Signalstift	Signal pin	1807-10	D1
18	003235	0	0	Signalring	Signal ring	1607-11	B1
19	003295	0	0	Druckfeder	Compression spring	1807-17/1	B1
20	003233	0	0	Verschlusskappe	Closur cap	1607-8	H1
21	000982	0	0	Korntunnel, kpl. #700.0221	Front sight, cpl. #700.0221	6832/1	•
22	004271	0	0	Klemmring	Clamp ring	6586-18	H1
23	004260	0	0	Korntunnel	Front sight hood	6586-1/2	D2
24	001410	0	0	Abdeckhülse #710.1220	Cover #710.1220	6586-20	•
25	004231	0	0	Spange	Internal cant indicator	6540-021	C1
26	004261	0	0	Kornfuß	Sight base	6586-004/1	X1
27	004491	0	0	Druckfeder (2)	Compression spring (2)	6850-024	A1
28	004268	0	0	Klemmstück	Clamp piece	6586-012/3	D1
29	004730	0	0	Zylinderschraube	Socket head screw	M 3x18 DIN 912	A1
31	004273	0	0	Mutter	Nut	6586-021	D1
32	004263	0	0	Druckstück	Front sight tube clamp	6586-005/1	H1
33	004726	0	0	Zylinderschraube (2)	Socket head screw (2)	M 3x12 DIN 912	A1
26-33	001078	0	0	Korntunnelfuß, kpl. (#700.1342)	Sight base, cpl. (#700.1342)	6586-U1/1	•
34	003385	0	0	Lauf	Barrel	1907-1	A5
*	003386	0	0	Lauf rostfrei	Barrel stainless	1907-1X	J5
34b	003403	0	0	Lauf	Barrel	1913-1/1	C5
*	003404	0	0	Lauf rostfrei	Barrel stainless	1913-1/1X	K5
34a	002940	0	0	Zwischenring	Intermediate ring	1408-3/1	H1
35	003229	0		Hülse	Receiver	1607-2	O4
*	003303		0	Hülse, links	Receiver, left	1807L-2	O4
36	005080	0	0	Zylinderstift (2)	Cylindrical Pin (2)	Riko 3x18 ähnl. DIN 7	A1
37	002917	0	0	Lademulde	Loading platform	1404-43	Y1
38	002918	0	0	Auswerfer	Ejector	1404-44	F1
39	003239	0	0	Zylinderstift	Cylindrical Pin	1607-20	A1
40	002919	0	0	Haltefeder	Spring	1404-45	B1
41	002914	0	0	Schloßhalter	Bolt stop	1404-41	P1
42	004035	0	0	Druckfeder	Compression spring	5320-7	A1
43	001205	0		Druckpunkt-Abzug #700.6600	Two-stage trigger #700.6600	5018	•

Original-Ersatzteilliste

List of component parts

1907/1913 im Schaft 1913

1907/1913 in stock 1913

1907L/1913L im Schaft 1913

1907L/1913L in stock 1913



Nr. / No. 44 - 105

Nr. No.	Bestell-Nr. Order-No.	1913	1913 L	Benennung	Description	Kennnummer Code number	Preisgruppe Price group
*	001207	0		Direkt-Abzug #700.6620	Single-stage trigger #700.6620	5018D	•
*	001206		0	Druckpunkt-Abzug #700.6610	Two-stage trigger #700.6610	5018L	•
*	001208		0	Direkt-Abzug #700.6630	Single-stage trigger #700.6630	5018LD	•
44	003930	0	0	Zylinderschraube	Pan head screw	5071-46/1	B1
45	003929	0	0	Zylinderschraube	Pan head screw	5071-45/1	B1
51	003300	0	0	Widerlager	Abutment	1807-55	D1
55	002431	0	0	Scheibe	Disc	380-256/1	A1
57	003297	0	0	Profilschiene	Swivel rail	1807-23	E2
58	005106	0	0	Senkholzschraube (5)	Countersunk head wood screw (5)	4x20	A1
59	003248	0	0	Abzugsbügel	Trigger guard	1613-53	G2
60	005163	0	0	Systemschraube, vollst.	Screw with disc-spring-pile	N40-U3 6x0,75x58	O1
60a	005161	0	0	Systemschraube, vollst.	Screw with disc-spring-pile	N40-U1 6x0,75x30	O1
62	004073	0	0	Füllstück	Filler piece	6222	B1
66	006642	0		Schaft	Stock	1913-8100-00-06-X	K5
*	006110		0	Schaft, links	Stock, left	1913L8100-00-06-X	N5
68	004548	0	0	Anschütz-Aufkleber	Sticker	ESK 788	B1
69	005047	0	0	Rampa-Muffe (2)	Sleeve	10x12	B1
70	006025	0		Schaftbacke	Cheek piece	2013-65	M3
*	006033		0	Schaftbacke, links	Cheek piece, left	2013-65 L	M3
71	001989	0	0	Backenplatte symmetrisch	Cheek piece plate	02213-/200-04-02-3	E3
72	004650	0	0	Scheibe (2)	Washer (2)	5,3 B DIN125	A1
73	004747	0	0	Zylinderschraube (2)	Socket head screw (2)	M 5x14 DIN 912	A1
74	001996	0	0	Bolzen (2)	Bolt (2)	02213-8200-06-01-4	E1
75	004975	0	0	Sicherungsscheibe	Retaining collar	3,2 DIN 6799	A1
76	004745	0	0	Zylinderschraube	Socket head screw	M 5x12 DIN 912	A1
77	001982	0	0	Backensäule Aluminium	Column Aluminium	02213-8200-03-00-3	Q1
78	001990	0	0	Klemmsäule Aluminium	Column Aluminium	02213-8200-05-00-4	Q1
71-78+83	001120	0	0	Backe inkl. Backenausleger #700.3570	Cheek piece incl. carrier #700.3570		•
79b	004750	0	0	Zylinderschraube (4)	Socket head screw (4)	M 5x18 DIN 912	A1
80a	001873	0	0	Klemmstück (2)	Clamp piece	1827-8000-01-00-3	B3
82b	004750	0	0	Zylinderschraube (2)	Cheese head screw	M 5x18 DIN 912	A1
83	002120	0	0	Mutter (3)	Nut (3)	94759-2000-03-00-4	E1
71-83	001113	0	0	Backenausleger #700.3562	Cheek piece adjustment #700.3562	02213-8200-00-02-3	•
84	002118	0	0	Säule (2)	Column (2)	94759-2000-02-00-4	Q1
86	004744	0	0	Zylinderschraube (2)	Socket head screw (2)	M 5x10 DIN 912	A1
87	002002	0	0	Kappenplatte	Hook plate	02213-8300-02-00-3	E3
83-87	001114	0	0	Kappenausleger #700.3563	Hook plate carrier # 700.3563	2213-8300	•
88	004745	0	0	Zylinderschraube (5)	Socket head screw (5)	M 5x12 DIN 912	A1
89	001786	0	0	Buchse (2)	Bushing (2)	00430-8100-02-00-4	D1
90	002011	0	0	Zwischenplatte	Space	02213-8510-01-00-3	A3
91	002128	0	0	Mutter	Nut	94760-1000-21-00-4	D1
92	003631	0	0	Führung	Guide	4760-020/1	M1
88-92	001118	0	0	Führungsplatte, kpl. #700.3568	Guide plate, cpl. #700.3568	2213-8500	•
94	003691	0	0	Schulterklappenträger vollständig	Swing plate carrier, cpl.	4765-U01	S3
95	003681	0	0	Schulterklappe	Swing plate	4765-003	K3
96	003682	0	0	SchulterklappenEinlage	Rubber plate	4765-004	D1
97	003650	0	0	Ring	Retaining washer	4760-049	B1
98	003648	0	0	Klemmstück	Chuck piece	4760-047/4	H1
99	003689	0	0	Druckfeder	Pressure spring	4765-012	B1
100	005011	0	0	Scheibe	Washer	B 5,3 DIN 9021	A1
101	004754	0	0	Zylinderschraube (2)	Socket head screw	M 5x52 DIN 912	A1
103	004907	0	0	Sechskantmutter	Hexagonal head nut	M5 DIN980	A1
104	004956	0	0	Zylinderstift	Threaded pin	4,0m6x24 DIN 6325	B1
105	004986	0	0	Spannstift	Pin	3x18 DIN 7344	B1

Original-Ersatzteilliste

1907/1913 im Schaft 1913

1907L/1913L im Schaft 1913

List of component parts

1907/1913 in stock 1913

1907L/1913L in stock 1913



Nr. / No. 107 - 165

Nr. No.	Bestell-Nr. Order-No.	1913	1913 L	Benennung	Description	Kennnummer Code number	Preisgruppe Price group
107	003685	0	0	Füllstück klein (28 mm)	Filling piece small (28 mm)	4765-007	T1
108	003686	0	0	Füllstück mittel (30,5 mm)	Filling piece medium (30,5 mm)	4765-008	T1
109	003687	0	0	Füllstück groß (39 mm)	Filling piece large (39 mm)	4765-009	T1
109a	003688	0	0	Füllstück XL (49 mm)	Filling piece XL (49 mm)	4765-10	T1
109a+116	001126	0	0	Füllstück XL, inkl. Schraube #700.3589	Filling piece XL, incl. screw #700.3589	4765-U8	•
110	003683	0	0	Haken	Hook	4765-005	V2
111	003684	0	0	Schwenkhaken	Hook	4765-006	O1
112	004745	0	0	Zylinderschraube (2)	Socket head screw (2)	M 5x12 DIN 912	A1
113	005085	0	0	Zylinderstift	Threaded pin	4 m6x10 DIN 6325	B1
114	004748	0	0	Zylinderstift	Threaded pin	1,5 m6x10 DIN 6325	B1
115	004743	0	0	Zylinderschraube	Socket head screw	M 5x8 DIN 912	A1
116	004744	0	0	Zylinderschraube (3)	Socket head screw (3)	M 5x10 DIN 912	A1
88-116	001119	0	0	Hakenkappe m. Führungsplatte #700.3569	Hook butt plate with guide plate #700.3569	2213-8700	•
94-116	001123	0	0	Hakenkappe, kpl. #700.3582	Hook butt plate, cpl. #700.3582	4765-U4	•
145	006084	0		Handballenauflage	Hand rest	4727-1	W1
*	006090		0	Handballenauflage links	Hand rest left	4727 L-1	W1
146	004751	0	0	Zylinderschraube	Socket head screw	M5x20 DIN912	A1
147	003554	0	0	Klemmschraube	Threaded pin	4728-3	C1
148	003553	0	0	Grundplatte	Plate	4728-1	S1
149	003247	0	0	Profilschiene	Base for Handrest	1613-51	M1
149a	005102	0	0	Senkholzschraube (2)	Wood screw (2)	4x15 St-br, ähnl. DIN 7997	A1
150	006091	0	0	Vorderschafterhöhung	Forend raiser block	4852-001/1	I3
151	003765	0	0	Hülse	Spacer tube	4852-005	M1
152	003768	0	0	Klemmstück	Clamp piece	4850-002	H1
153	004774	0	0	Zylinderschraube	Cheese head screw	M 8x70 DIN 912	B1
154	004758	0	0	Zylinderschraube (2)	Cheese head screw (2)	M 5x35 DIN 912	A1
155a	003757	0	0	Vierkantmutter	Square nut	4840-006	E1
155b	003756	0	0	Vierkantscheibe	Square plate	4840-005	E1
157	004750	0	0	Zylinderschraube (6)	Cheese head screw (6)	M 5x18 DIN 912	A1
158	004905	0	0	Linsensenkschraube (4)	Countersunk oval head screw (4)	M 5x10 DIN 966	A1
159	003548	0	0	Kugelkopf	Ball knob	4721-4	H1
159a	004987	0	0	Spannstift	Pin	4x24 DIN 7344	A1
160	003549	0	0	Einstellring	Adjusting ring	4721-5	S2
161	003761	0	0	Konsole	Palmrest bracket	4840-U6	N2
162	003551	0	0	Klemmschraube	Clamp screw	4721-006	C1
163	003754	0	0	Einstellhülse	Adjusting sleeve	4840-3	H2
164	003600	0	0	Druckstück (2)	Locking piece (2)	4751-003/2	E1
165	003759	0	0	Handstützenhalter	Palm rest support	4840-U01	J2
166	001137	0	0	Handstütze #700.3611	Palm rest #700.3611	4842	•
220	001132	0	0	Handstop #700.3601	Handstop #700.3601	4752	•
221	003613	0	0	Klemmstück, vollst.	Clamp piece, compl.	4752-U01	P1
222	002928	0	0	Druckfeder	Compression spring	1407-14/1	A1
223	003600	0	0	Druckstück	Locking piece	4751-3/2	E1
225	003612	0	0	Klemmhebel, vollst.	Clamp piece, compl.	4752-8	X1
228	004075	0	0	Riemenbügel, vollst.	Sling swivel, compl.	6226-13	V1
229	003610	0	0	Buchse	Bushing	4752-4	O1
230	003611	0	0	Rolle	Roller	4752-6	Z1
231	004751	0	0	Zylinderschraube	Cheese head screw	M 5x20 DIN 912	A1
232	003541	0	0	Scheibe	Disc	4719-13	A1