

Bedienungsanleitung

Instruction Leaflet

KK-Matchgewehr Biathlon

Small Bore Biathlon Rifle

Mod. 1827 ANSCHÜTZ Fortner



Bitte sorgfältig lesen, bevor Sie dieses Gewehr zusammenbauen oder benutzen.

Please read carefully before you assemble or operate this rifle.

ANSCHÜTZ
®

DIE MEISTER MACHER

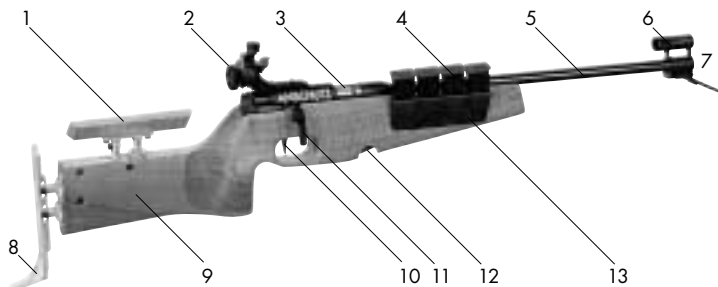
Index

Definitions	S.03
Preface	S.21
Safety instructions	S.21
General handling of rifles	S.22
Ear and eye protection	S.24
Laws	S.24
Liability	S.24
Technical data	S.25
Assembly, fitting the ANSCHÜTZ	
barreled action	S.25
Cocking, loading and safety operation	S.25
Unloading	S.26
Magazine	S.26
Bolt	S.26
Trigger	S.27
Trigger adjustments	S.27
Dry firing device	S.32
Sight set	S.34
Cleaning, maintenance, care, lubrication ..	S.34
Accessories	S.35
Warranty	S.36
Copyright	S.36
Drawings / Spare parts	S.38
Warranty card	S.47



DIE MEISTER MACHER

Begriffsbestimmungen / Definitions



- | | | | |
|----|------------------------------|----|-----------------------------|
| 1 | Schaftbacke | 1 | Cheek piece |
| 2 | Biathlondiopter | 2 | Biathlon rear sight |
| 3 | Patronenauswurf | 3 | Ejection |
| 4 | Biathlon Magazin | 4 | Biathlon magazine |
| 5 | Spezial Biathlonlauf | 5 | Special Biathlon barrel |
| 6 | Korntunnel mit Schneeklappen | 6 | Front sight with snow cover |
| 7 | Mündung | 7 | Muzzle |
| 8 | Biathlonkappe | 8 | Biathlon butt plate |
| 9 | Biathlonschaft | 9 | Biathlon stock |
| 10 | Abzug | 10 | Trigger |
| 11 | Geradezugverschluss | 11 | Straight pull action |
| 12 | Magazinschacht | 12 | Magazine well |
| 13 | Magazinhalter | 13 | Magazine holder |

Preface

*Dear Friends of ANSCHÜTZ,
You have made a good choice, now that you have decided to buy an ANSCHÜTZ product. The many great results obtained with ANSCHÜTZ rifles by target shooters, participants in the Olympic Games as well as in World and European championships throughout the world made your choice easy, as your rifle has benefited from our great experience of making fine sporting and target rifles since 1856. World-wide, ANSCHÜTZ rifles are respected because of their fine accuracy, impeccable design and immaculate workmanship. Should you still be unaware, they include:*

The famous ANSCHÜTZ small bore target rifles, target air rifles and target air pistols, small bore biathlon rifles and repeating summer biathlon air rifles, hunting rifles and shotguns in diverse calibers, small bore single loaders and repeaters, Flobert rifles, silhouette pistols, silhouette rifles and Varmint rifles.

Safety instructions

Attention:

Please read carefully the following articles before using this rifle. It is extremely important that you become thoroughly familiar with this rifle and its operating characteristics by carefully reading and understanding the instructions in this booklet before you attempt any use of it with ammunition. Always remember the sequence of disassembly. Should you still

have problems with the safe usage and correct handling of your rifle or should you have additional questions, please do not hesitate to contact a competent gunsmith or dealer or our factory directly. This instruction leaflet is extraordinarily important. Make sure that it is always with the rifle especially when it is sold, lent or otherwise given to a third person.

Only use as follows: Our products are exclusively meant for target shooting. Their use is subject to the „General Technical Rules“ for all target shooting disciplines of the INTERNATIONAL SHOOTING SPORT FEDERATION (ISSF), Bavariaring 21, 80336 München, Germany or to the rules of the INTERNATIONAL BIATHLON UNION, Airportcenter, Postbox 1, A-5073 Wals-Himmelreich, Austria.

Additional copies of this booklet can be ordered.

This ANSCHÜTZ firearm has been carefully test fired and inspected before shipment from the factory. The mechanism of this firearm has been properly designed, tested and fitted with the utmost attention to safety. However, any mechanical device can fail and no such device can prevent accidents caused by carelessness or thoughtless handling. ANSCHÜTZ cannot control the handling of each firearm once they have left the factory. Please take the time to inspect the firearm carefully before use.

DO NOT USE ANY FIREARM WITHOUT A COMPLETE KNOWLEDGE AND UNDERSTANDING OF IT'S SAFE USE AND PROPER HANDLING CHARACTERISTICS.

Warning:

This rifle can be dangerous if it is not used correctly or if this instruction leaflet is not observed. The privilege of ownership and safe use of your rifle carries a personal responsibility that no one should take lightly. Rifle accidents would not occur if the following rules of shooting safety were observed.

The Ten Commandments of Firearms Safety

- Learn the mechanical and handling characteristics of the firearm you are using.
- Always keep the muzzle pointed in a safe direction.
- Firearms should be unloaded when not in use.
- Be sure the barrel is clear of obstructions before using.
- Be sure of your target before you shoot.
- Wear shooting glasses and ear protection when you shoot.
- Never climb a tree or fence with a loaded firearm.
- Don't shoot at a hard surface or at water.
- Never transport a loaded firearm.
- Avoid alcoholic beverages or drugs when shooting or handling a gun.

Please note:

There is no substitute for personal responsibility and common sense in the handling, use and storage of firearms. Securely store your unloaded guns away from access by children or unauthorized adults.

General handling of rifles and pistols

Although it can be assumed that shooters are familiar with the following rules we would like to emphasize them once again for reasons of safety.

All firearms are hazardous objects. Extraordinary care has to be dedicated to their use and storage.

1. Treat every rifle as though it was loaded. Do not take anyone's word or automatically assume it is not loaded. Check your rifle personally each time you handle it. The safe and courteous way to carry a rifle when you are with others is to leave the bolt open so that they can easily see that the rifle cannot be fired. Make sure that the rifle is not loaded when you stop shooting. Make sure your rifle is unloaded before every transport. Never pick up your rifle with your finger on the trigger or the trigger guard.
2. Whenever you pick up your rifle, point the muzzle at the ground. Always point the muzzle of the barrel in a safe direction. Never pull a rifle towards you by the muzzle.
3. Only use your rifle in approved shooting ranges. Shoot your rifle only under good visibility and daylight conditions. If you use your rifle in an indoors range, make sure it is adequately ventilated. Make sure that there is a safe bullet trap which can be seen from all sides and that there is no one in the vicinity of your target. Be absolutely sure of a safe backstop and target. Never fire at a hard, smooth surface or water. Never

shoot at a skyline target or into the air. Do not shoot at anything from which a bullet might ricochet. Never fire your rifle with the muzzle in the water or against any other material to avoid an accident or damage of your rifle.

4. Be sure that you use the correct ammunition. The correct caliber can be seen on your rifle. Load your rifle only when you are at the range and ready to shoot. Use only genuine ANSCHÜTZ magazines. Do not exceed the stated magazine capacity. Alterations to the rifle or the use of non-ANSCHÜTZ magazines and accessories may cause malfunctions.

5. Always keep your rifle clean. Be sure the bore is not obstructed by dirt, water, grease or any other foreign materials. Never try to shoot out any obstruction.

6. Serious injury and damage can result from the use of the wrong ammunition, bore obstructions, or incorrect cartridge components.

7. Place the safety fully into „S“ or „F“ position - never inbetween. Always keep safety in full „safe“ position until ready to fire. Do not put your finger on the trigger when operating the safety or whenever you are not ready to shoot.

8. When not in use your rifle should be stored in a locked and secure place accessible only to you. Check first to make sure it is unloaded. Store the rifle with uncocked trigger. Store ammunition in a separate and secure place. It is your special responsibility to make sure that at all times

and especially when you are not present your rifle is well secured, out of any reach of children and other unauthorized persons and in no way accessible to them. For the safe storage of your rifle even in a locked cabinet or safe the use of an additional trigger lock is recommended.

Only give your rifle to authorized persons. Never let your rifle be used by anyone who is not familiar with the safe handling of a rifle and these instructions. This rifle must only be used by a responsible adult or under his or her supervision.

9. Watch for any change in the operation of your rifle which might impair its safety. The safety is only guaranteed as long as the firearm is in faultless condition. If you suspect or note a defect or malfunction, stop using it immediately, unload the rifle, make sure that it is not under pressure and send it to a competent gunsmith, the factory or its recommended repair station for inspection. Note: Apart from normal cleaning the rifle must only be disassembled by an authorized gunsmith. Please note that your firearm must also be checked by an authorized gunsmith when it has been impaired by external conditions such as corrosion etc. or when it dropped. When you assemble or disassemble your firearm, never try to do it by force. Unqualified handling or disassembly can cause injuries or irreparable damage of the rifle.

10. Your rifle should always be handled with extreme care. Make sure that it is never dropped or placed in such a way that it can fall. For transport purposes your rifle should be dry and clean. We recommend an approved protective gun case.

11. You must be in good physical condition and mental health and not under the influence of any substance (drugs, alcohol) which might impair vision, dexterity or judgement. Do not use your rifle when you are tired. Tiredness may result in a loss of control.

12. Clean your hands carefully after shooting and cleaning your ANSCHÜTZ product. Residues of bullets, powder or oil might impair the health of your skin.

13. Your ANSCHÜTZ rifle has been carefully built and inspected by skilled technicians to provide maximum efficiency. The service life depends on the owner's care and on cleaning following this instruction leaflet.

Ear and eye protection

You should always use approved hearing protection and approved shatterproof eye protection while shooting. Please remember persons near you to also wear hearing protection and approved shatterproof eye protection.

Laws

Please observe the corresponding regulations and laws for the use of firearms in your country. Please also observe the corresponding safety rules of sports shooting.

Liability

1. ANSCHÜTZ does not assume any responsibility or payment of damage claims for damages of any kind resulting from the disregard of these instructions, non-qualified treatment or repair, the use of non-original ANSCHÜTZ spare parts, incorrect handling or care, negligence, removal of the knot varnish or unauthorized modifications.

2. The wood of the stock or grip as well as the PRO grip equipment have been very carefully checked by factory inspectors prior to shipment and has been determined to be free of defects. Certain kinds of abuse, such as a dropping or falling down can cause damage to the wood for which the owner is solely responsible. We also assume no responsibility for defects resulting from inappropriate transportation (mail, plane, etc.). Please immediately contact your forwarder in such a case.

3. Changes, alterations or manipulations to this product or any of its parts are prohibited and might infringe firearms regulations. Such changes or alterations can significantly impair the safe use of our product and can lead to accidents involving severe or even fatal bodily injuries. Any product warranty will automatically lapse in case changes or alterations are implemented. Users are requested to carefully inspect the product with regard to possible changes and alterations before use. In case of doubt you should contact us for further information.

KK-Biathlon

Small bore target rifle

Mod. 1827 ANSCHÜTZ Fortner

Technical Data:

1827 ANSCHÜTZ Fortner

Caliber:	.22 l.r.
Barrel length:	55 cm / 21.6"
Rifling:	55 cm / 21.6"
Total length:	104 cm / 40.9"
Total length barreled action:	73 cm / 28.7"
Weight approx.:	4,0 kg / 8.8 lbs
Version:	Repeater

1827 ANSCHÜTZ Fortner Sprint nitride

Caliber:	.22 l.r.
Barrel length:	55 cm / 21.6"
Rifling:	55 cm / 21.6"
Total length:	104 cm / 40.9"
Total length barreled action:	73 cm / 28,7"
Weight approx.:	3,7 kg / 8.2 lbs
Version:	Repeater

Assembly, fitting the ANSCHÜTZ barreled action

The stock and the barreled action are packed separately for shipment and need to be assembled. However, do not do this until you have followed all the procedures listed below.

- Wipe away excess oil from the surface of the barreled action.
- Remove the magazine and the two screws.
- Insert the barreled action into the barrel channel in the stock. To do this the groove

at the bottom of the receiver must be attached to the iron abutment of the stock. The receiver must not touch the abutment, however.

- Screw in the bedding screws with the enclosed screw driver and tighten uniformly step by step.

For a correct adjustment we recommend to use the torque wrench Model No. 4405 (Item No. 7006180), which is to be adjusted to 5 Nm (50 cmkp). An audible and sensible click shows you that the adjusted value has been reached.

After the first assembly there might be a warping of the wood. We would therefore recommend to loosen and tighten the bedding screws again after some time. Check the tight fit of the screws before every shooting.

Cocking, loading and safety operation

- Degrease the bolt and the interior of the barrel without leaving lint.
- Then insert the filled magazine into the magazine well until you hear that it caught the magazine holder.
- Now close the bolt and push it forward to the stop.
- Thus the first cartridge from the magazine is fed into the barrel and the firing pin is cocked.
- The rifle is now ready for firing.
- After firing, open the bolt handle and pull it fully to the rear.
- When the bolt is closed again a new cartridge will be loaded.
- The rifle is ready for firing again.

There is a safety lever at the left side, which deactivates the safety mechanism in the front position.

The bottom of the magazine can be pushed forward to accept further cartridges. Fill in cartridges one after the other.

The rifle is

- safe, when the „S“ (safe) is visible but the „F“ (fire) is covered.
- ready for shooting when the „F“ (fire) is visible but the „S“ (safe) is covered.

Please note:

The safety lever must latch properly and audibly, never between the two positions.

Unloading

For safety reasons the rifle must immediately be unloaded if you intend to stop shooting. Remove the magazine and operate the bolt. This will eject the cartridge. Please also see safety instructions for the handling of rifles and pistols.

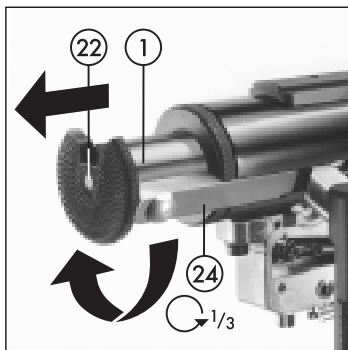
Magazine

- Remove the magazine from the magazine well.
- Push the cartridge with the head first between the lateral cavities at the back of the magazine.
- Insert the filled magazine into the magazine well until you hear that it caught the magazine holder.
- Now open the bolt completely, push it forward and lock it. Thus the first cartridge of the magazine is fed into the barrel, the firing pin is cocked. The rifle is now ready for shooting.

Bolt

To remove the Fortner bolt

- Pull back the bolt (1).
- Pull back the thumb spring (22) a little and turn it to the right until the groove is in line with the breech wedge (24).
- Remove the breech wedge by pulling it backwards.
- Screw off the breech (23).
- Pull back the bolt handle (15) and hold it under tension. By holding the bolt handle the locking balls (12) are free of load.
- Remove bolt by pulling it backwards.

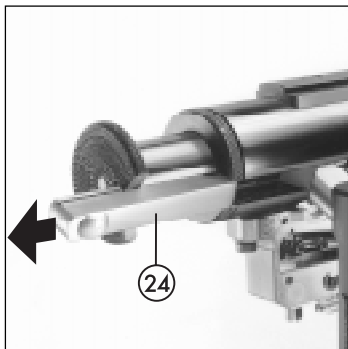


To disassemble the Fortner bolt

⚠ Attention:

This should only be done by an authorized expert!

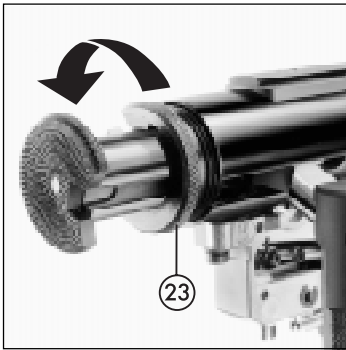
- Screw off screwed conduit sleeve until it is possible to separate front and rear part. Do not warp the two bolt parts opposite to each other.
- Remove spring support and firing pin spring.
- Remove retaining collar with safety pin by pulling it upwards.
- Pull bolt handle (15) to the stop.
- Pull bolt clamping sleeve out of the rear bolt part. To do this you have to overcome a considerable resistance.
- Press out the locking balls (12) to the inside.
- Press plunger out of the bolt clamping sleeve.
- Remove driving pin out of the bolt clamping sleeve by pulling it upwards.



- Remove firing pin by pulling it backwards.
- Screw off thumb spring (22).
- Pull nut plate and spring for thumb spring out of lateral groove.

To reassemble the Fortner bolt

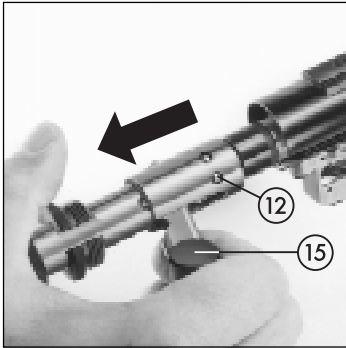
The bolt is reassembled in reverse sequence. The following points have to be



- grease them a little they will not fall out).
- To reassemble the bolt parts attach the screwed conduit sleeve with its teeth opposite to the direction of fire to the rear bolt part thus connecting it to the chamber.
- The screwed conduit sleeve has two opposing threads each of which is connected to the referring bolt part. Tighten screwed conduit sleeve manually until it is no longer possible to turn the chamber.
- The tip of the firing pin must protrude over the action face of the chamber.

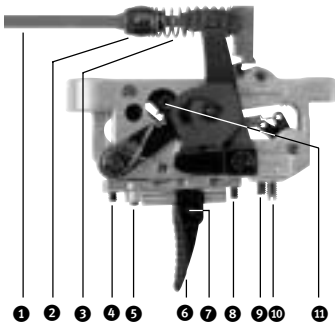
To insert the Fortner bolt

The Fortner bolt is inserted into the receiver in reverse sequence of the removal.



considered. (Note: the sequence and position of the parts can be seen from the drawing)

- When the thumb spring is screwed in (approx. 4 turns) make sure that the nut plate is vertical to the set screw.
- Before assembling the rear bolt part and the bolt clamping sleeve insert the balls into the rear bolt part from inside (If you



Trigger

Warning:

Your ANSCHÜTZ target rifle offers you a versatility of individual adjusting properties. Please make sure that your rifle always is unloaded when carrying out adjustments. The trigger adjusted by the factory guarantees utmost safety. Please observe the general safety use when using your rifle.

Trigger adjustments

1. Trigger weight

Adjust the trigger weight with set screw No. 10 (silver screw):

- if you turn it to the right:
trigger weight is increased (+)
- if you turn it to the left:
trigger weight is decreased (-)

Trigger weight and first stage weight depend on each other with regard to the mechanic mechanism. If one of them is

changed there will always be a corresponding change of the other as well.

To move trigger cam No. 11:

- lowest position of the trigger cam:
lowest trigger weight
- highest position of the trigger cam:
highest trigger weight

If the trigger weight is to be more than 200 g, the trigger cam No. 11 must be adjusted to the highest position (turn it by 180° and fix it then). To do this you need a 2 mm hex key and perhaps tweezers.

- if you turn it to the left:
You release the screw
- if you turn it to the right:
You tighten the screw

Attention:

Please ensure the trigger cam is positioned correctly. Be very careful tightening the small cam screw as it is easily broken! Please check the sear engagement according to paragraph No. 3 when you have finished this process. It might have to be adjusted as well. The precise adjustments of the trigger weight and first stage weight are carried out with the set screws No. 10 (trigger weight) and No.9 (first stage weight).

2. First stage weight (only for two-stage triggers)

Adjust first stage weight with set screw No. 9 (black screw):

- if you turn it to the right:
first stage weight is increased (+)

- if you turn it to the left:
first stage weight is decreased (-)

Trigger weight and first stage weight depend on each other with regard to the mechanic mechanism. If one of them is changed there will always be a corresponding change of the other as well.

Attention:

Do not reduce either trigger weight screw to zero or lower as the trigger pull may become erratic.

3. Sear engagement

The sear engagement is the distance between the second stage and the release of the trigger.

Important note:

To protect your precise trigger and to guarantee perfect operation you should always close the action carefully. If the sear engagement of single stage triggers is too small and the trigger weight is too low or if the first stage of two-stage triggers is too short, the trigger might release inadvertently by a sudden impact or too powerful closing of the action if the rifle is loaded and not in the "safe" position.

Adjustment of the sear engagement for **two-stage triggers** with set screw No. 5:

- if you turn it to the right:
sear engagement is shortened
- if you turn it to the left:
sear engagement is extended

Adjustment of an optimum sear engagement:

Make sure your rifle is not loaded. Cock your rifle and release the trigger. Check if the trigger releases as desired.

The sear engagement is too long:
There is a small distance between the second stage and the release of the trigger.

- Turn set screw No. 5 clockwise after cocking and releasing (approximately 1/8 turn each).
- Repeat this process until you do not feel the second stage anymore. Then turn 1/5 turn back to the left. Thus the optimum sear engagement is adjusted.

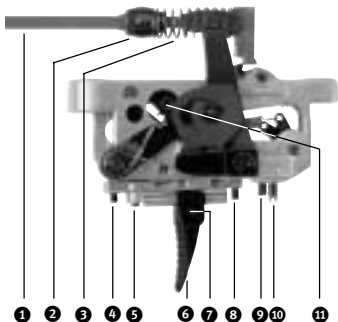
The sear engagement is too short:
There is no second stage. The trigger releases un-defined without second stage.

- Turn set screw No. 5 counter-clockwise for at least 1/4 turn after cocking. Then release the trigger and check if there is a second stage. If not, repeat this procedure until you feel a second stage.
- As soon as you feel a second stage proceed according to the points of the paragraph „The sear engagement is too long“ to obtain an optimum sear engagement.

For the adjustment of the sear engagement for **single stage triggers** with set screw No. 5 see point 7:

4. First stage (only for two-stage triggers):

The single stage is the distance between the trigger blade from zero position to the second stage.



Adjustment of first stage with set screw No. 4:

- if you turn it to the right:
first stage is shortened
- if you turn it to the left:
first stage is extended

⚠ Attention:

Set screw No. 4 (first stage) can be turned past the second stage function. In this case the trigger does not work anymore.

Danger! Do not under no circumstances remove the first stage completely in order to change the two-stage trigger into a single stage trigger.

5. Trigger stop:

The trigger stop is the distance from the second stage to the stop of the trigger blade.

Adjustment of the trigger stop with set screw No. 8:

- if you turn it to the right:
overtravel is shortened

- if you turn it to the left:
overtravel is extended

⚠ Attention:

The trigger stop set screw No. 8 can be turned over the second stage or first stage function. Malfunction (the trigger does not release)!

6. Adjustment of the trigger blade

- Loosen hex screw No. 7
- Trigger blade No. 6 can be moved in the longitudinal guide and can be tilted laterally.

7. Change of two-stage trigger into single stage trigger

Adjusting process:

- Turn first stage weight screw No. 4 clockwise until you have reached the maximum first stage.
- Cock the rifle.
- Turn set screw No. 5 (first stage) counter-clockwise until the trigger releases.
- Turn set screw No. 5 from this position approx. $1/4$ turn clockwise.

The trigger is now adjusted to single stage operation, there is no more first stage.

STOP Warning:

Single stage triggers are very sensitive and must be operated with special care.

The sear engagement of $5/100$ mm is obtained after the action is closed. In combination with a minimum trigger weight

there might be a malfunction and an **increased risk (inadvertent shot release)**.

8. Change of single stage trigger into two-stage trigger

- Turn trigger stop set screw No. 8 approx. 2 1/2 turns to the left (adjust max. trigger stop longer).
- Release the safety of the trigger and cock the rifle.
- Turn set screw No. 5 approx. 2 1/2 turns counter-clockwise.
- You should now feel a second stage
- To adjust the optimum sear engagement proceed according to paragraph 3.
- Perhaps you have to adjust the first stage according to paragraph 4, the trigger stop according to paragraph 5, the trigger weight according to paragraph 1 and the first stage weight according to paragraph 2 to the desired values.

9. Malfunctions of the trigger due to wrong adjustment procedure

If the trigger is not adjusted correctly malfunctions may occur. Tampering with the trigger adjustments will not result in any success. Therefore proceed as follows:

After every change the function of the trigger must be checked. When the malfunction is removed check the desired trigger values and adjust them again if necessary.

The trigger catches the firing pin, but the trigger does not release:

- Make sure that the safety of the trigger is released.
- Check if there is a trigger cam and that it

is attached correctly.

- The trigger stop set screw No. 8 is screwed in too much. Turn it a few turns to the left until the cocking piston or firing pin will release again.

The trigger does not catch the cocking piston or firing pin:

- Set screw No. 4 (first stage) is screwed in too much.
- Check to see if the spring is correctly attached and not defective.

The first stage trigger is adjusted too tightly:

- Turn set screw No. 5 stepwise 1/4 turn to the right until the firing pin is caught.

Catch rebound spring is too weak or defective:

- Send your trigger to the factory or your service center for inspection.

10. Safety

On the left side of the trigger there is a safety lever. Please see chapter „Cocking, loading and safety operation“.

11. Maintenance

Please see chapter „Cleaning, maintenance, care, lubrication“.

Important note:

To protect your highly accurate trigger and to maintain perfect functioning always close the bolt carefully.

⚠ Attention:

If you change the trigger remove the bolt from the receiver when fitting the trigger as otherwise the trigger will be damaged.

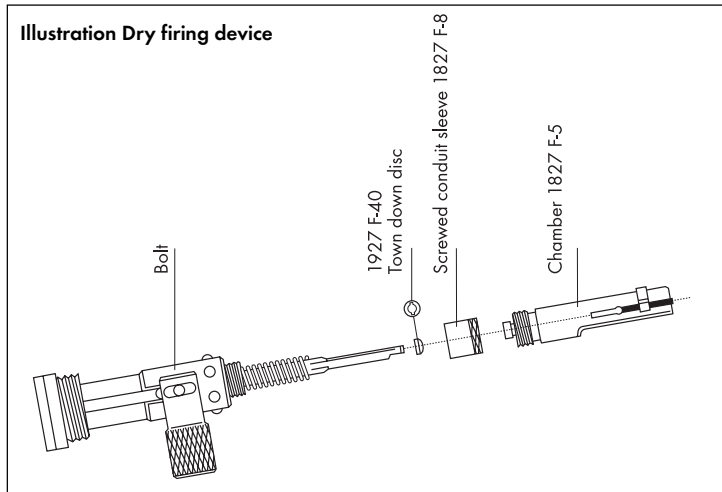
Dry firing device

The length of the firing pin is adjusted so that it definitely ignites the cartridges. If there is no cartridge or cartridge case in the chamber, the firing pin as well as the rim of the chamber may be damaged when dryfiring for a longer period. In order to prevent any possible damage use either a cartridge case (after about 5 practice shots insert a different case) or preferably a tone down disc 1927F-40. With this device you can practice under competition conditions without having to use ammunition.

Please attach as follows:

- Screw off breech 1827F-24.
- Remove the Fortner action.
- Screw off screwed conduit sleeve 1827F-8.
- Pull off chamber 1827F-5 from the rear bolt part.
- Attach tone down disc to firing pin.
- Screw together chamber 1827F-5 and rear bolt part with the help of screwed conduit sleeve 1827F-8.
- Cock Fortner bolt and insert it again.

Do not forget to remove the tone down disc for live firing.



Sight Set

Assembly

The rear sight is pushed onto the rail of 11 mm width and fixed with the 2 screws (tighten manually).

Vertical and horizontal adjustment

The screws for vertical and horizontal adjustment have clicks. The impact point changes from click to click.

- Shots are too high:
Turn knob into „H“ direction
- Shots are too low:
Turn knob into „T“ direction
- Shots are too far at the right:
Turn knob into „R“ direction
- Shots are too far at the left:
Turn knob into „L“ direction

Zeroing

After test firing of the rifle both screws should be brought into the „O“ position.

- Loosen threaded pins in the knob.
- Bring knobs into the „O“ position.
- Tighten threaded pins in the knob manually.

Cleaning and care

Your ANSCHÜTZ rear sight is a highly accurate device of utmost quality and therefore needs special handling. Good care and maintenance guarantee perfect functioning. Protect your rear sight from dust and dirt. **Guides and spindles must not be oiled or greased.**

Attention:

Your ANSCHÜTZ rear sight has been adjusted carefully and without play with the help of special tools. It has been checked several times and therefore does not require any additional adjustments. Therefore only operate the screws for vertical and horizontal adjustments as described above. Do not turn the screws beyond their stop as this would cause a permanent damage to the screw and thread. In order not to endanger your right of warranty, please contact your dealer or our repair service in case any malfunctions might occur.

Cleaning, Maintenance, Care, Lubrication

Even after considerable use, your ANSCHÜTZ small bore match rifle will not require much attention - a tribute to its solid design, first class materials, well proven ANSCHÜTZ workmanship and precision. If you follow the recommendations below, you will help maintain the excellent performance of your rifle for a long time.

If the rifle comes from the cold into warmth after test firing or after competition, condensed water is deposited especially on metal parts and in the interior of the barrel. If this condensed water is not removed quickly, rust might occur. Rust makes the interior of the barrel rough and the shooting performance will decrease.

Before initial shooting:

- Carefully deoil the rifle. Deoiling should be carried out at room temperature as too

many residues would remain in the barrel at low temperatures.

After initial shooting:

- Dry clean (remove powder residues).
- Leave the rifle locked and the snow cap closed, do not take into a warm room.

After competition:

- Warm up rifle with opened bolt and snow cover to room temperature.
- Carefully remove condensed water on the external parts.
- Disassemble bolt and also remove condensed water from the individual parts. Oil with a suitable gun oil.
- Carefully clean the interior of the barrel with a cleaning rod to remove condensed water and residues of firing. Then oil the interior of the barrel with a resin and acid free oil.

Maintenance of the trigger:

- Lubricate the bearings slightly with cold resistant molybdenum disulphide grease once a year.
- Spot a small amount of oil into the bearing parts using a needle.
- The internal parts should not be washed with spray or oil to avoid resin or other residues in the trigger.

Attention:

When cleaning the rifle no dirt, residues of solvents, grease or non-suitable oils must get into the trigger mechanism. We therefore recommend either to use our cleaning rod guide or to clean your gun in a way that it

is horizontal or even with the stock up to avoid any contamination of the trigger mechanism.

Protect your rifle against dust, sand, humidity, heat and other harmful influences. Vacuum clean your gun case or soft gun case once a month to remove dust and lint. Gun cases and soft gun cases should have a smooth and dust rejecting inner lining. Leave your gun case or soft gun case open when you store them at home so that possible humidity can escape. Adding a humidity absorber reduces the development of humidity. A slight oil film on the steel parts additionally protects your rifle against corrosion. Be aware of other possible changes or damage. In such a case take your rifle to an authorized gunsmith for checking or send it to our factory.

To reduce the risk of damage in transit, we recommend the disassembly of the barreled action from the stock, especially on flights.

Accessories

Please ask for our catalog or take a look at our website under www.anschuetz-sport.com

Warranty

A warranty of 2 years will be issued. Parts which are subjected to wear are not part of this warranty. In the case of warranty we substitute the defective parts free of charge. Cases of warranty will only be accepted if

the article in question and the corresponding purchase receipt plus filled-in warranty card are presented. Warranty will not be accepted if changes or repair works have been carried out by persons who are not authorized, if the rifle is not used correctly or if non-ANSCHÜTZ original parts were used.

In addition a damage to your firearm is not subject to warranty if it is due to an ignorance of this instruction leaflet or improper care or treatment.

We wish you much pleasure and success with your ANSCHÜTZ product and would be pleased if you could let us have your ideas on our products and the design of this instruction leaflet.

Copyright

Product specifications, design and model changes are subject to change without prior notice. Dimensions and colors are subject to change. With reservation of misprints and errors. Goods are subject to prior sale. Delivery subject to the presentation of the referring license for the purchase of firearms.

ANSCHÜTZ, the ANSCHÜTZ logo and the ANSCHÜTZ logo in connection with the slogan „Die Meister Macher“ (also in modified spelling) and „Soft-Link®“ are protected brands of J.G. ANSCHÜTZ GmbH & Co. KG, Ulm, Germany. The unauthorized use of this brand name is not allowed and punishable.

All rights of this instruction leaflet reserved. The use of the instruction leaflet, also in excerpts, is not allowed without the permission of J.G. ANSCHÜTZ GmbH & Co. KG and otherwise is punishable. This is especially applicable for unauthorized copying, translations and read-ins in electronic systems.

<<<< GARANTIE >>>>

Dieser Artikel wurde zum Verkauf freigegeben, nachdem er selbst, seine Materialien und Einzelteile strenge Kontrollen durchlaufen haben, oder das Gewehr beim Beschuss seine Haltbarkeit und Funktion unter Beweis gestellt hat. Wir übernehmen für zwei Jahre volle Garantie auf Material- oder Bearbeitungsfehler (ausgenommen Schaft- und Federbrüche), sofern ein Mangel nachweisbar bereits im Zeitpunkt der Übergabe des Artikels vorlag. Für Mängel, die auf unsachgemäße Behandlung oder auf Reparaturen zurückzuführen sind, stehen wir nicht ein. Die Garantieleistung steht in unserer Wahl in Nachbesserung oder Neulieferung. Schadensersatzansprüche – aus welchem Rechtsgrund auch immer geltend gemacht – sind ausgeschlossen. Wir bitten, diese Karte – von Ihrem Waffengeschäft ausgefüllt und unterschrieben – mit dem Artikel an uns einzusenden.

J.G. ANSCHÜTZ GmbH & Co. KG · Jagd- und Sportwaffenfabrik
Postfach 1128 · D-89001 Ulm/Germany · www.anschuetz-sport.com

ANSCHÜTZ
®
DIE MEISTER MACHER

FABRIKATIONS-NR.:

Serial-No. / Numéro de série:

DATUM DES VERKAUFS:

Date / Date d'achat:

GEKAUFT BEI:

This item was bought from / Détaillant:



Stempel und Unterschrift des Fachhändlers
stamp of dealer / timbre du détaillant

<<<<GARANTIE>>>>

Cet article n'a été mis en vente qu'après une vérification minutieuse des pièces et matières à tous les stades de la fabrication ou après avoir subi un contrôle de fiabilité et de bon fonctionnement au banc d'épreuve. Nous la garantissons pendant deux ans contre tout défaut de matière ou vice de fabrication (sauf contre les bris de crosse ou de ressorts) dans la mesure où il peut être prouvé qu'un défaut existait déjà au moment de l'achat de l'article. Nous ne répondons pas des défauts résultant d'une utilisation incorrecte ou de réparations. Nous nous réservons d'exécuter la garantie soit par remise en état soit par échange. Les demandes en dommages-intérêts sont irrecevables quelle que soit la cause mise en avant. Veuillez faire remplir et signer cette carte par votre armurier et nous l'adresser avec l'article.

J.G. ANSCHÜTZ GmbH & Co. KG · Jagd- und Sportwaffenfabrik
Postfach 1128 · D-89001 Ulm/Germany · www.anschuetz-sport.com

<<<<WARRANTY>>>>

After thorough testing of materials and finished parts this item has passed a rigid final inspection as well as proof testing or test shooting. If, despite these precautions, there is any failure due to defective materials or workmanship (except broken stocks and springs) within two years the necessary repairs will be carried out without charge, in so far as the item was evidently defective at the time of purchase. No claims under warranty can be accepted if the item has been subjected to improper use or unauthorized repair. The item will be either repaired or replaced at our discretion. Claims for compensation – put forward for any legal cause whatsoever – are excluded. This warranty card – completed and stamped by your dealer – must be returned with the item for repairs.

J.G. ANSCHÜTZ GmbH & Co. KG · Jagd- und Sportwaffenfabrik
Postfach 1128 · D-89001 Ulm/Germany · www.anschuetz-sport.com



DIE MEISTER MACHER

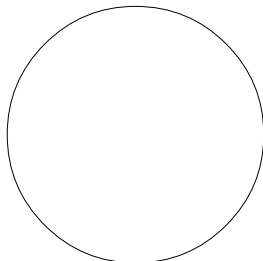


Fabr.-Nr.:

Serial No.:.....

Bitte hier eintragen · Please fill in here

Originalschussbild Ihres Gewehres 5 Schuss auf 50 m
Original group of your rifle 5 shots at 50 m



DIE MEISTER MACHER

J.G. ANSCHÜTZ GmbH & Co. KG

Jagd- und Sportwaffenfabrik

Daimlerstrasse 12

D-89079 Ulm / GERMANY

Postfach 11 28

D-89001 Ulm / GERMANY

Telefon (++49)-(0)-731-4012-0

Telefax (++49)-(0)-731-4012-700

anschuetz-sport.com

JGA-Info@anschuetz-sport.com