

C.I.P.

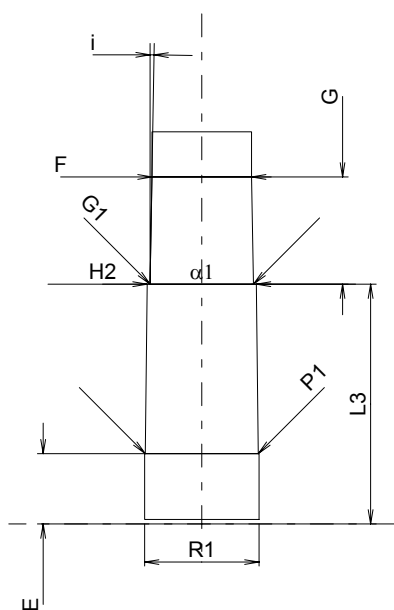
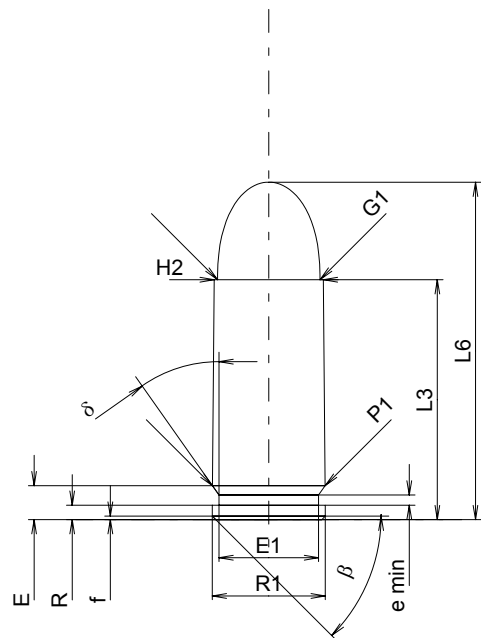
9 x 21

Country of Origin: IL

TAB. IV

Date 84-06-14

Revision 00-06-07



Scale 1.5:1

CARTRIDGE MAXI

Lengths

L1	=		
L2	=		
L3 ¹⁾	=	21.15	-0.25
L4	=		
L5	=		
L6	=	29.75	

Case Head

R	=	1.27	
R1	=	9.96	
R3	=		
E	=	2.98	
E1	=	8.79	
e min	=	0.90	
delta	=	35°	
f	=	0.30	
beta	=	45°	

Powder Chamber

P1	=	9.93	
P2	=		

Junction Cone

alpha	=		
S	=		
r1 min	=		
r2	=		

Collar

H1	=		
H2 ¹⁾	=	9.63	

Projectile

G1 ¹⁾	=	9.03	
G2	=		
F	=		
L3+G ¹⁾	=	30.60	

Pressures (Energies)

Method Transducer

Pmax	=	2350 bar	
PK	=	2703 bar	
PE	=	3055 bar	
M	=	12.50	

Miscellaneous Dimensions

Fe ¹⁾	=	0.30	
delta L	=		

CHAMBER MINI

Lengths

L1	=		
L2	=		
L3 ¹⁾	=	21.15	

Breech

R	=		
R1	=	10.09	
R2	=		
R3	=		
r	=		

Powder Chamber

E	=	6.20	
P1 ¹⁾	=	9.96	
P2	=		

Junction Cone

alpha	=		
S	=		
r1 max	=		
r2	=		

Collar

H1	=		
H2 ¹⁾	=	9.64	

Commencement of Rifling

G1 ^{1)*}	=	9.12	
G ¹⁾	=	9.45	
alpha 1 [*]	=	180°	
h	=		
s	=		
i ^{1)*}	=	1°	
w	=		

Barrel

F ^{1)*}	=	8.79	
Z ¹⁾	=	9.03	

Grooves

b	=	3.80	
N	=	4	
u	=	254.00	
Q	=	62.57	mm ²

Dimensions in << mm >>
Dimensions and Tolerances for Proof Barrels
see Appendix CR 1.

Notes: 1) Check for safety reasons
* Basic dimensions