

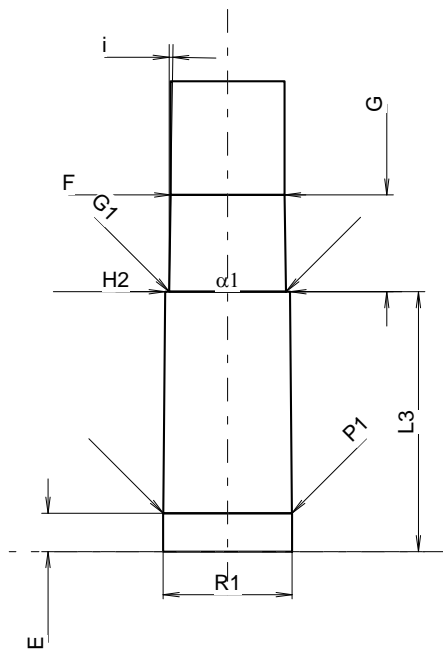
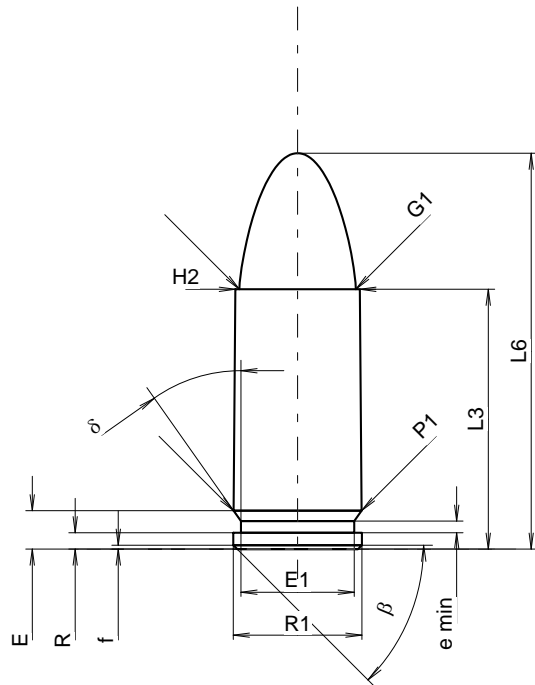
**C.I.P.****9 x 20 VGW**

TAB. IV

Date 09-05-05

Country of Origin: AT

Revision



Scale 1.71:1

**CARTRIDGE MAXI****Lengths**

L1	=		
L2	=		
L3 <sup>1)</sup>	=	20.15	-0.25
L4	=		
L5	=		
L6	=	30.69	

**Case Head**

R	=	1.27	
R1	=	9.96	
R3	=		
E	=	2.98	
E1	=	8.79	
e min	=	0.90	
delta	=	35°	
f	=	0.30	
beta	=	45°	

**Powder Chamber**

P1	=	9.93	
P2	=		

**Junction Cone**

alpha	=		
S	=		
r1 min	=		
r2	=		

**Collar**

H1	=		
H2 <sup>1)</sup>	=	9.65	

**Projectile**

G1 <sup>1)</sup>	=	9.03	
G2	=		
F	=		
L3+G <sup>1)</sup>	=	27.65	

**Pressures (Energies)****Method Transducer**

Pmax	=	3000 bar	
PK	=	3450 bar	
PE	=	3900 bar	
M	=	12.50	

**Miscellaneous Dimensions**

Fe <sup>1)6)</sup>	=	0.30	
delta L	=		

**CHAMBER MINI****Lengths**

L1	=		
L2	=		
L3 <sup>1)</sup>	=	20.15	

**Breech**

R	=		
R1	=	10.00	
R2	=		
R3	=		
r	=		

**Powder Chamber**

E	=	2.98	
P1 <sup>1)</sup>	=	9.96	
P2	=		

**Junction Cone**

alpha	=		
S	=		
r1 max	=		
r2	=		

**Collar**

H1	=		
H2 <sup>1)</sup>	=	9.68	

**Commencement of Rifling**

G1 <sup>1)</sup> *	=	9.05	
G <sup>1)</sup>	=	7.50	
alpha1	=	180°	
h	=		
s	=		
i <sup>1)</sup> *	=	0°52'42"	
w	=		

**Barrel**

F <sup>1)</sup> *	=	8.82	
Z <sup>1)</sup>	=	9.02	

**Grooves**

b	=	2.49	
N	=	6	
u	=	250.00	
Q	=	62.61	mm <sup>2</sup>

Dimensions in << mm >>  
 Dimensions and Tolerances for Proof Barrels  
 see Appendix CR 1.

Notes: 1) Check for safety reasons  
 6) Headspace on Case Mouth  
 \* Basic dimensions