

C.I.P.

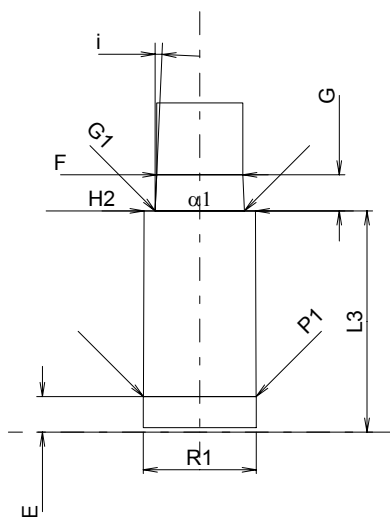
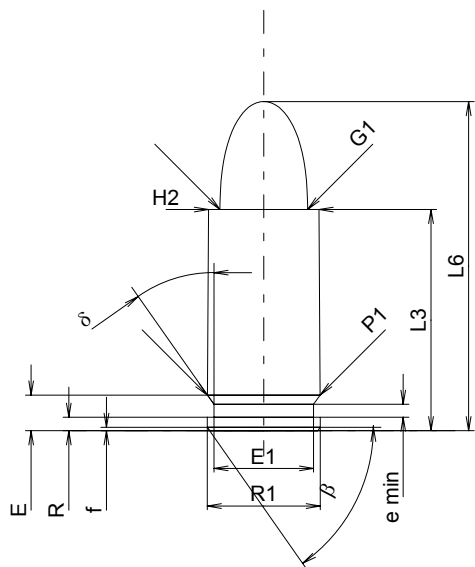
9 mm FX & CQT

Country of Origin: CA

TAB. IV

Date 98-01-27

Revision 00-06-07



CARTRIDGE MAXI

Lengths

L1	=		
L2	=		
L3 ¹⁾	=	19.51	-0.25
L4	=		
L5	=		
L6	=	29.03	

Case Head

R	=	1.19	
R1	=	9.96	
R3	=		
E	=	3.14	
E1	=	8.79	
e min	=	1.14	
δ	=	35°	
f	=	0.30	
β	=	55°	

Powder Chamber

P1	=	9.93	
P2	=		

Junction Cone

α	=		
S	=		
r1 min	=		
r2	=		

Collar

H1	=		
H2 ¹⁾	=	9.75	

Projectile

G1 ¹⁾	=	7.72	
G2	=		
F	=		
L3+G ¹⁾	=	22.69	

Pressures (Energies)

Method Transducer

Pmax	=	350 bar	
PK	=	403 bar	
PE	=	455 bar	
M	=	12.50	

Miscellaneous Dimensions

Fe ¹⁾	=	0.30	
delta L	=		

CHAMBER MINI

Lengths

L1	=		
L2	=	14.00	
L3 ¹⁾	=	19.51	

Breech

R	=		
R1	=	9.96	
R2	=		
R3	=		
r	=		

Powder Chamber

E	=	3.14	
P1 ¹⁾	=	9.94	
P2*	=	9.86	

Junction Cone

α	=		
S	=		
r1 max	=		
r2	=		

Collar

H1	=		
H2 ¹⁾	=	9.82	

Commencement of Rifling

G1 ^{1)*}	=	7.87	
G ¹⁾	=	3.18	
α1*	=	180°	
h	=		
s	=		
i ^{1)*}	=	2°31'14"	
w	=		

Barrel

F ^{1)*}	=	7.59	
Z ¹⁾	=	7.81	

Grooves

b	=	1.02	
N	=	6	
u	=	254.00	
Q	=	45.92	mm ²

Scale 1.5:1

Dimensions in << mm >>
Dimensions and Tolerances for Proof Barrels
see Appendix CR 1.

Notes: 1) Check for safety reasons
* Basic dimensions