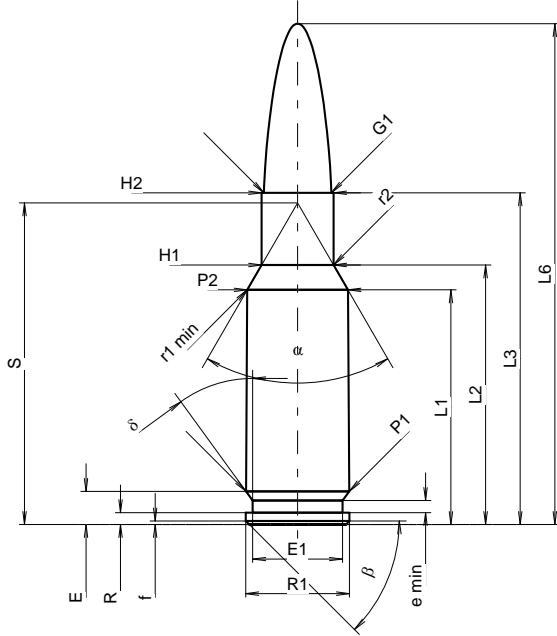


C.I.P.

30 BR

TAB. I
Date 11-05-25

Country of Origin: US

Revision

CARTRIDGE MAXI
Lengths

L1 ¹⁾	=	27.17	-0.20
L2 ¹⁾	=	30.05	-0.20
L3 ¹⁾	=	38.41	
L4	=		
L5	=		
L6	=	58.00	

Case Head

R	=	1.37	
R1	=	12.01	
R3	=		
E	=	3.83	
E1	=	10.40	
e min	=	1.40	
delta	=	36°	
f	=	0.40	
beta	=	45°	

Powder Chamber

P1	=	11.94	
P2 ¹⁾ *	=	11.66	-0.20

Junction Cone

alpha *	=	60°	
S *	=	37.25	
r1 min	=	0.64	
r2	=	1.50	

Collar

H1 *	=	8.33	
H2 ¹⁾	=	8.33	

Projectile

G1 ¹⁾	=	7.82	
G2	=		
F	=		
L3+G ¹⁾	=	42.69	

Pressures (Energies)
Method Transducer

Pmax	=	4050 bar	
PK	=	4658 bar	
PE	=	5063 bar	
M	=	17.50	
EE	=	3200 Joule	

Miscellaneous Dimensions

Fe ¹⁾³⁾	=	0.10	
delta L	=		

CHAMBER MINI
Lengths

L1	=	27.20	
L2	=	30.08	
L3 ¹⁾	=	38.61	

Breech

R	=		
R1	=	12.02	
R2	=		
R3	=		
r	=		

Powder Chamber

E	=	3.83	
P1 ¹⁾	=	11.99	
P2 *	=	11.71	

Junction Cone

alpha ¹⁾ *	=	60°	
S *	=	37.33	
r1 max	=	0.64	
r2	=	1.90	

Collar

H1 *	=	8.38	
H2 ¹⁾	=	8.38	

Commencement of Rifling

G1 ¹⁾ *	=	7.83	
G ¹⁾	=	4.28	
alpha l	=	90°	
h	=	0.28	
s	=		
i ¹⁾ *	=	1°30'	
w	=		

Barrel

F ¹⁾ *	=	7.62	
Z ¹⁾	=	7.82	

Grooves

b	=	2.50	
N	=	6	
u	=	431.80	
Q	=	47.13	mm ²

Scale 1.14:1

 Dimensions in << mm >>
 Dimensions and Tolerances for Proof Barrels
 see Appendix CR 1.

 Notes: 1) Check for safety reasons
 3) Headspace on Shoulder
 * Basic dimensions